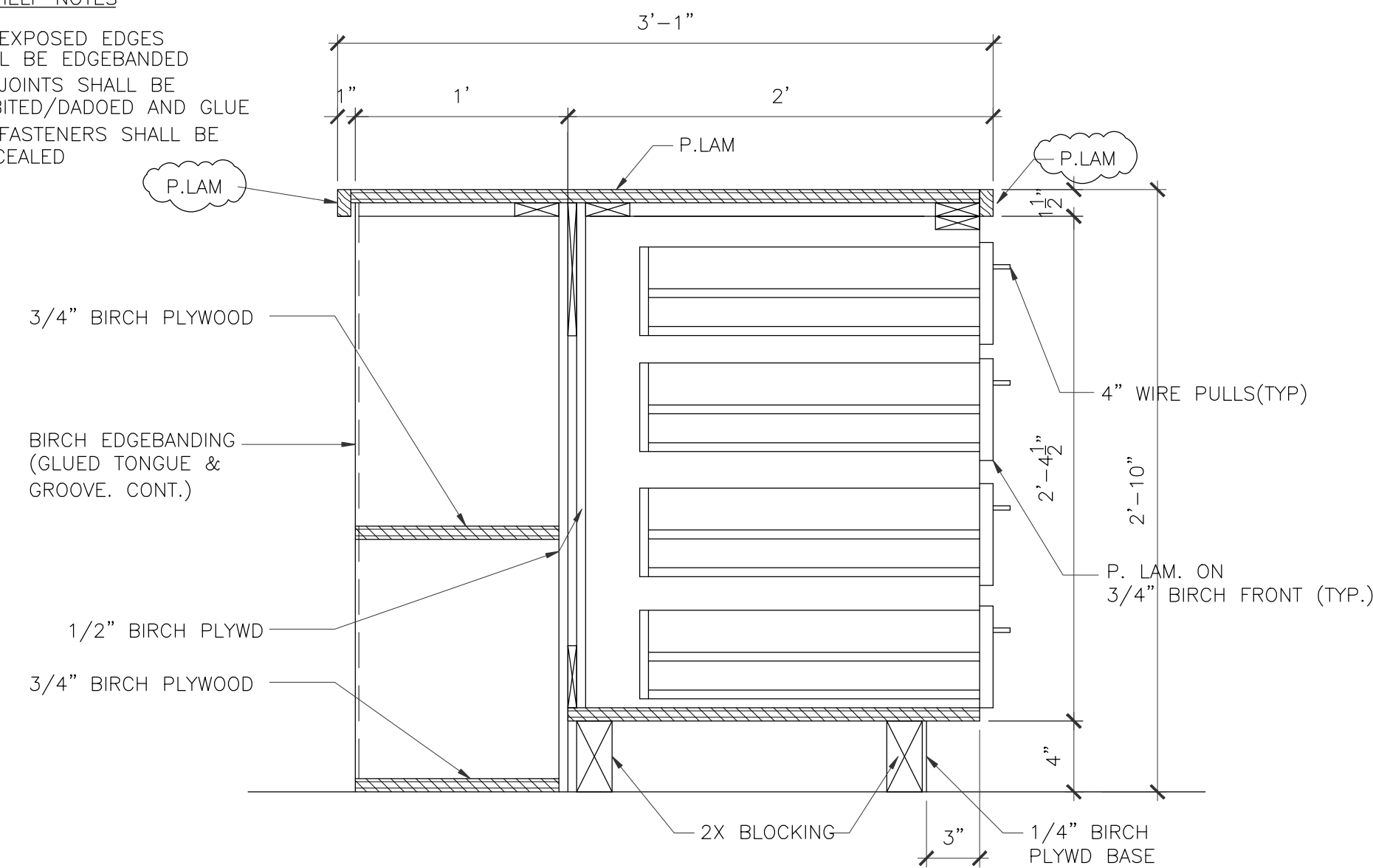
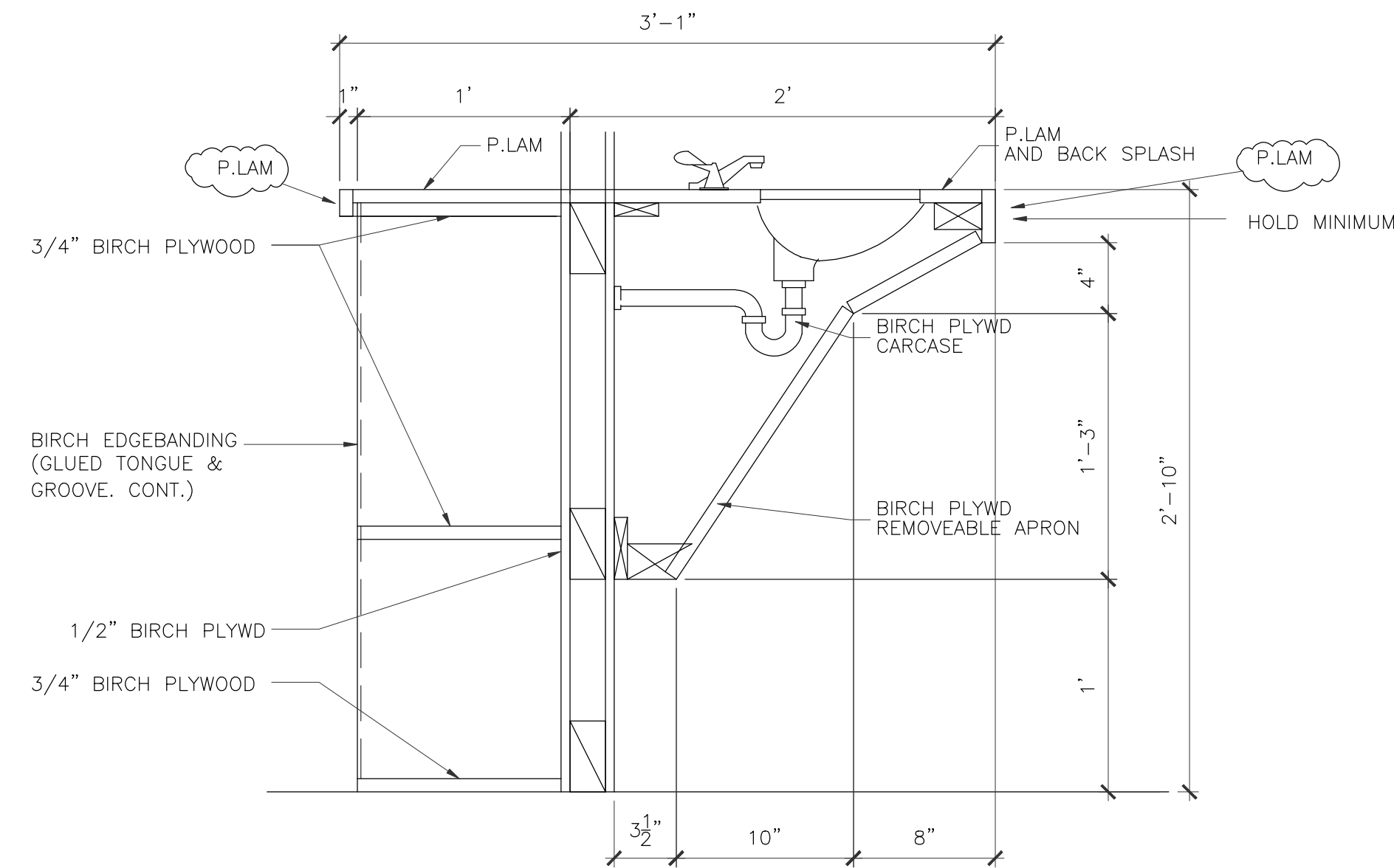


**TOY SHELF NOTES**

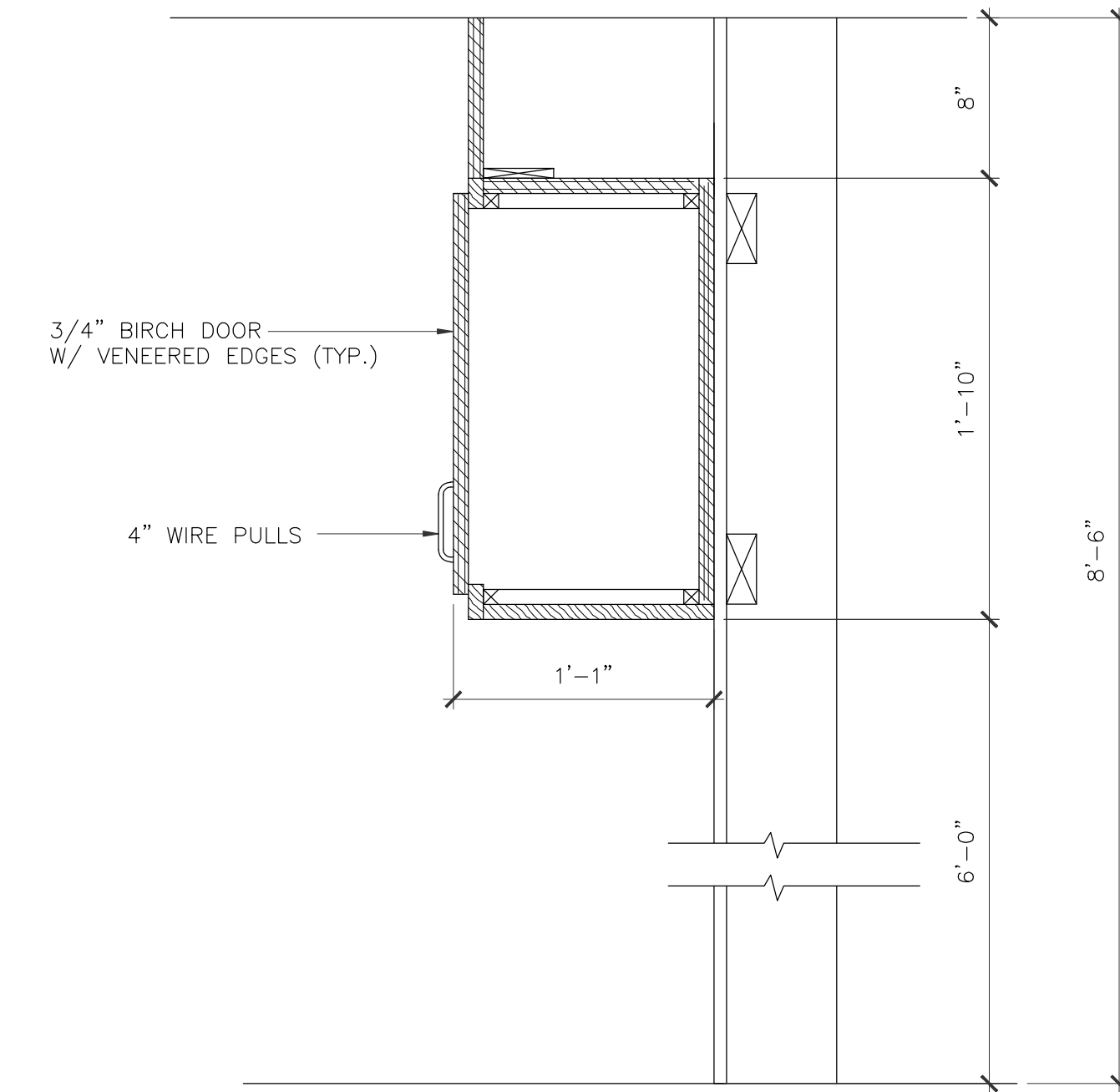
1. ALL EXPOSED EDGES SHALL BE EDGEBANDED
2. ALL JOINTS SHALL BE RABBETED/DADOED AND GLUE
3. ALL FASTENERS SHALL BE CONCEALED



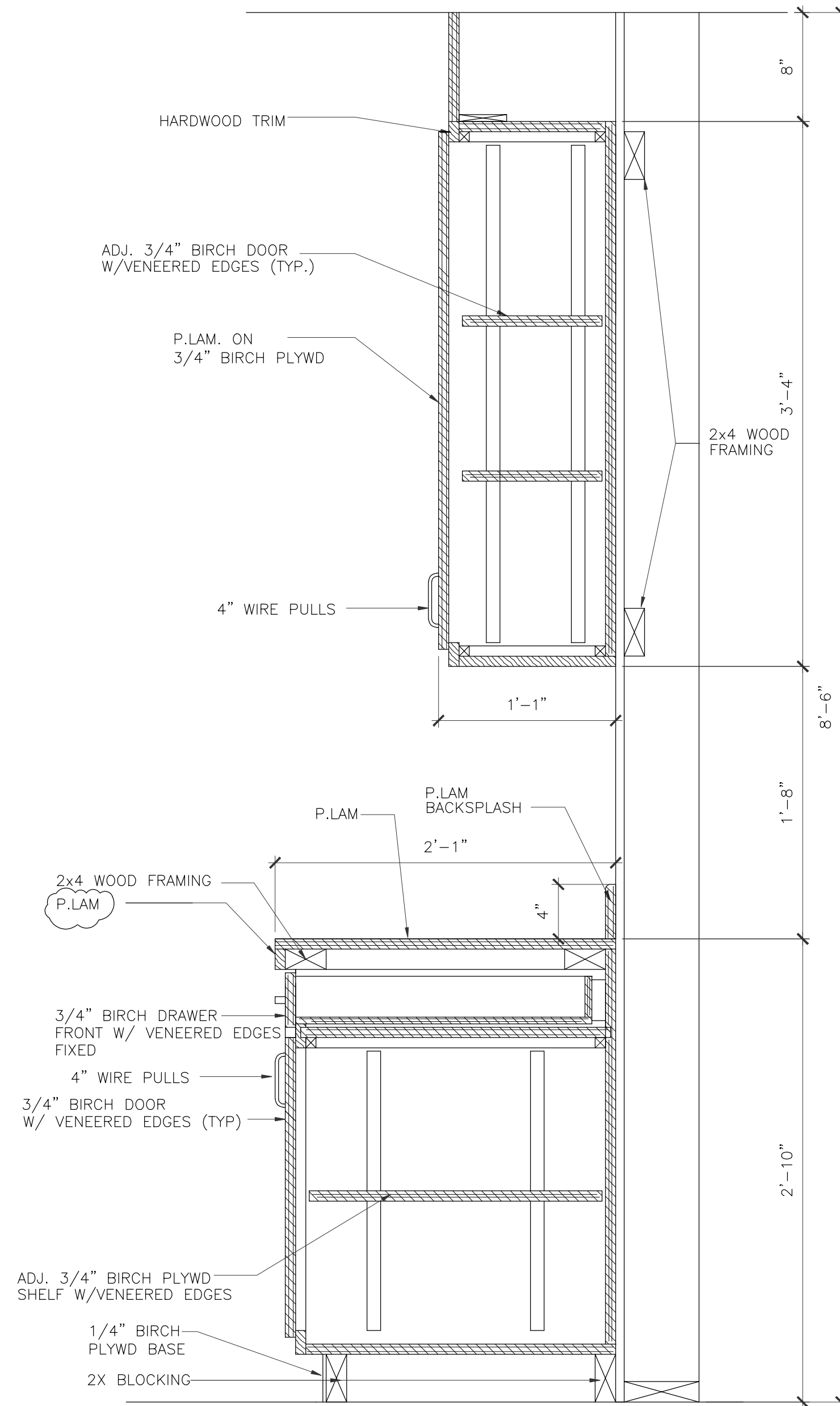
**1 MILLWORK SECTION CLASSROOM #100, #150, #200**  
 SCALE: 1 1/2"=1'-0"  
 CLASSROOM #100, #150, #200



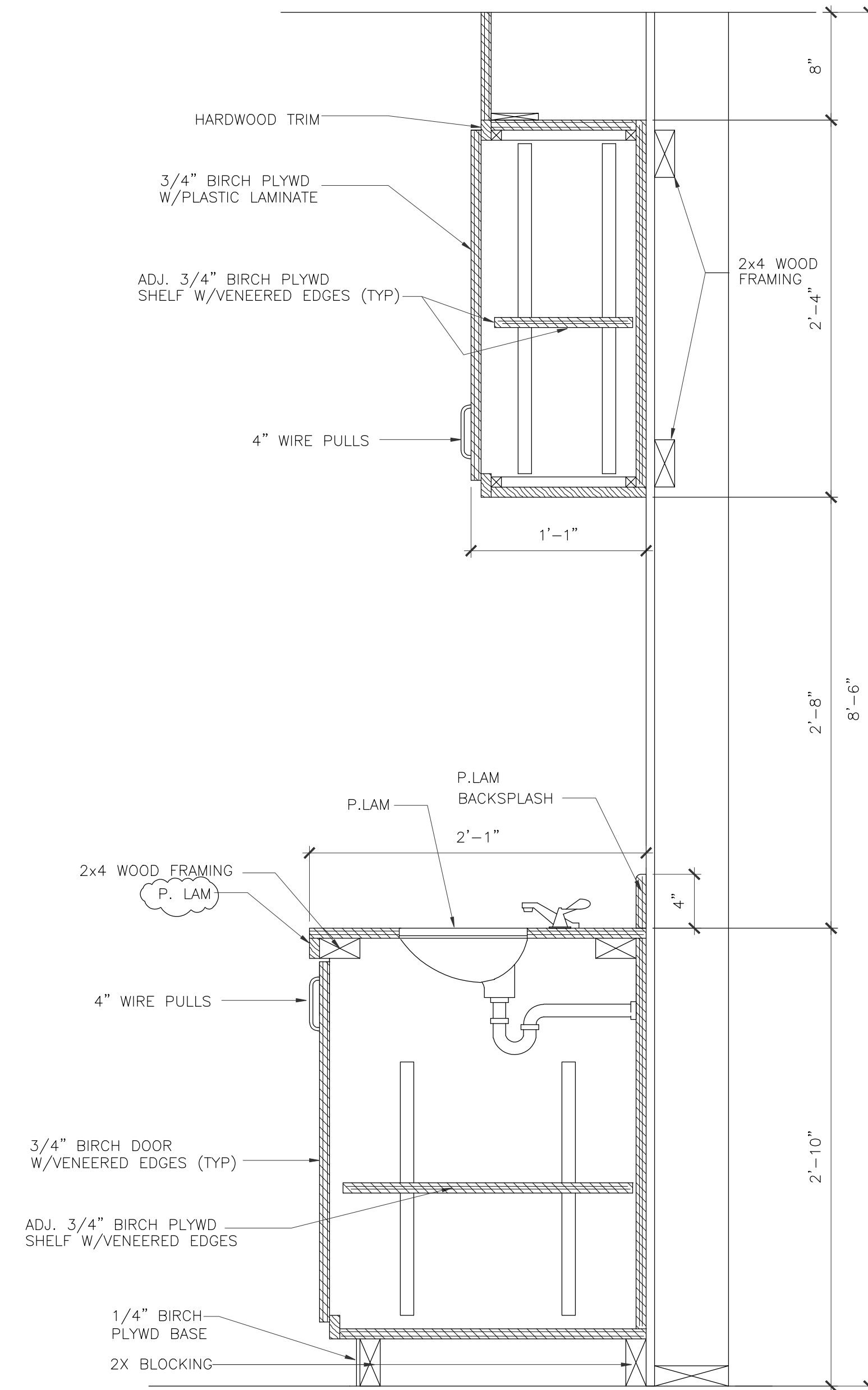
**2 MILLWORK SECTION**  
 SCALE: 1 1/2"=1'-0"  
 CLASSROOM #100, #150, #200  
 NOTE: THESE DIMENSIONS MUST BE MAINTAINED TO MEET ADA REQUIREMENTS



**5 MILLWORK SECTION**  
 SCALE: 1 1/2"=1'-0"  
 CLASSROOM #100, #150, #200



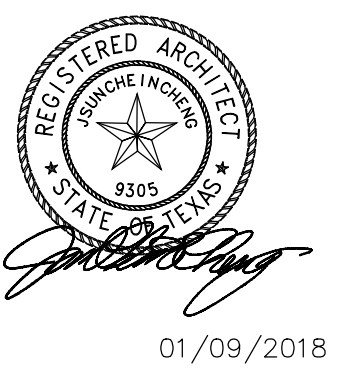
**3 MILLWORK SECTION**  
 SCALE: 1 1/2"=1'-0"  
 CLASSROOM #100, #150, #200



**4 MILLWORK SECTION**  
 SCALE: 1 1/2"=1'-0"  
 CLASSROOM #100, #150, #200

REVISIONS AND ISSUANCE		
NO.	DATE	DESCRIPTION
1	08/13/2017	PRICING
2	08/30/2018	ADDENDUM

**IVY KIDS EARLY LEARNING CENTER**  
 4434 CR 94  
 Manvel, Tx 77578



DRAWING TITLE	
<b>MILLWORK SECTIONS</b>	
DRAWN BY	CHECKED BY
DATE	JOB NO.
DRAWING NO.	

**A-8.0**