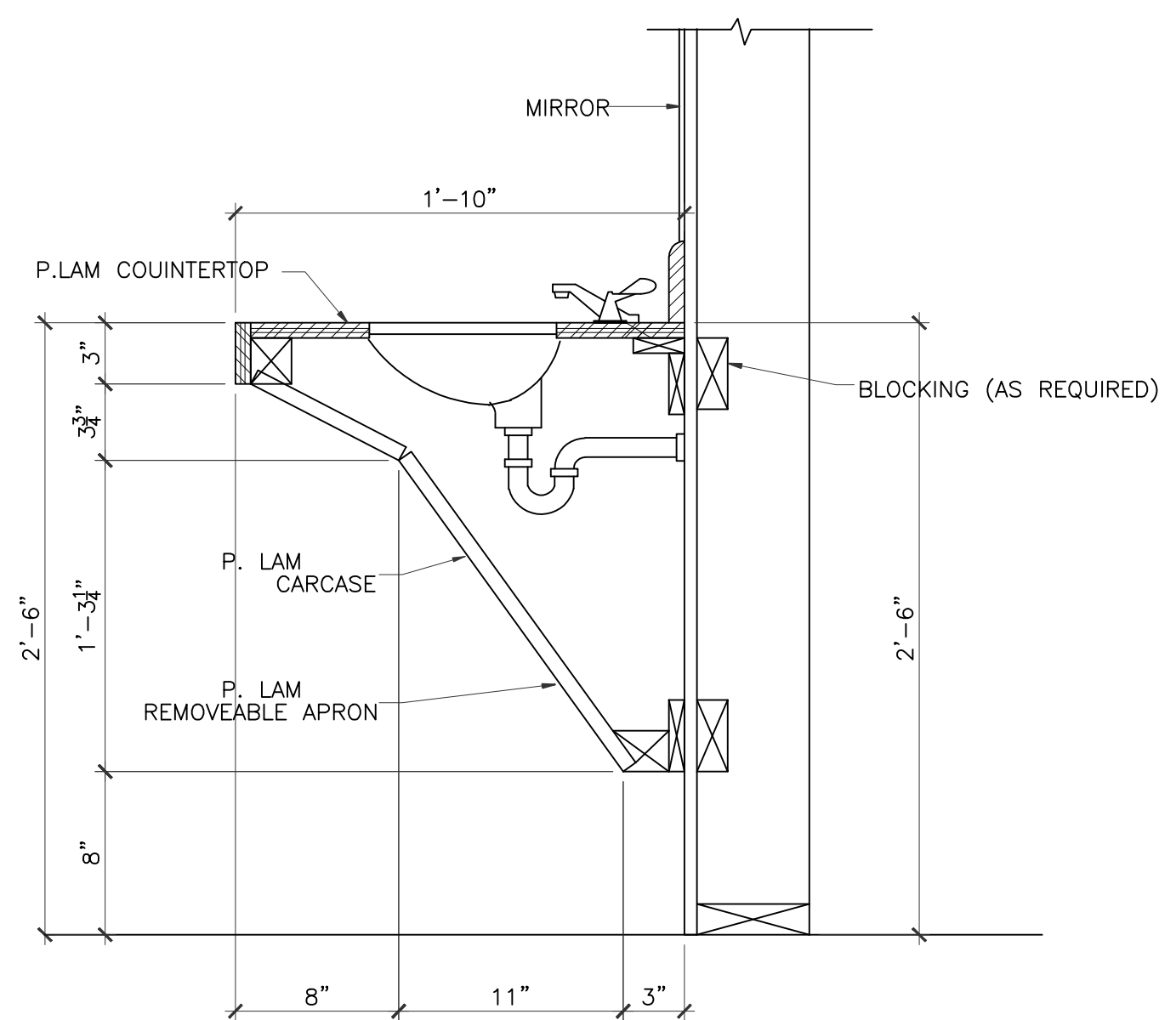


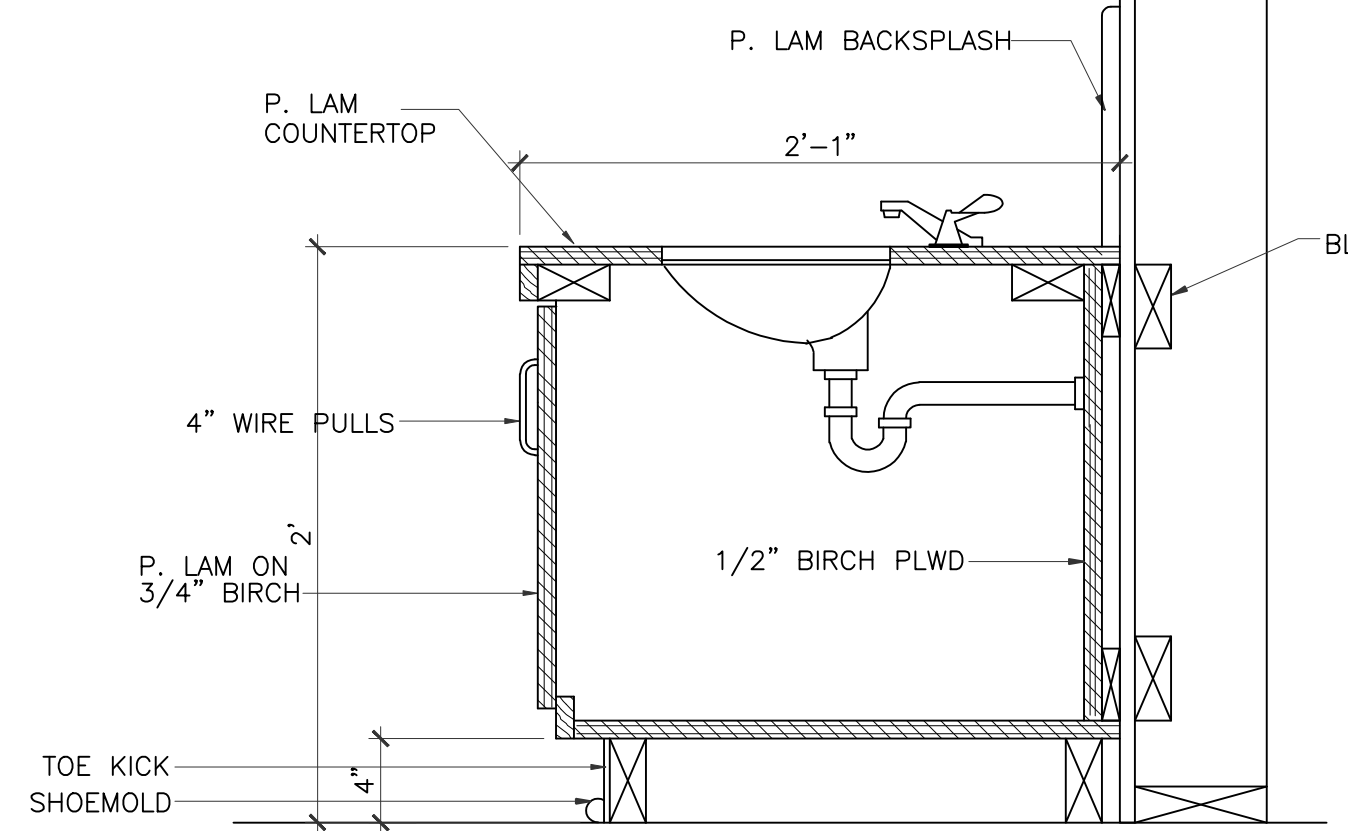
REVISIONS AND ISSUANCE		
NO.	DATE	DESCRIPTION
1	08/13/2017	PRICING
2	09/03/2018	ADDENDUM 3

IVY KIDS EARLY LEARNING CENTER
4434 CR 94
Manvel, Tx 77578

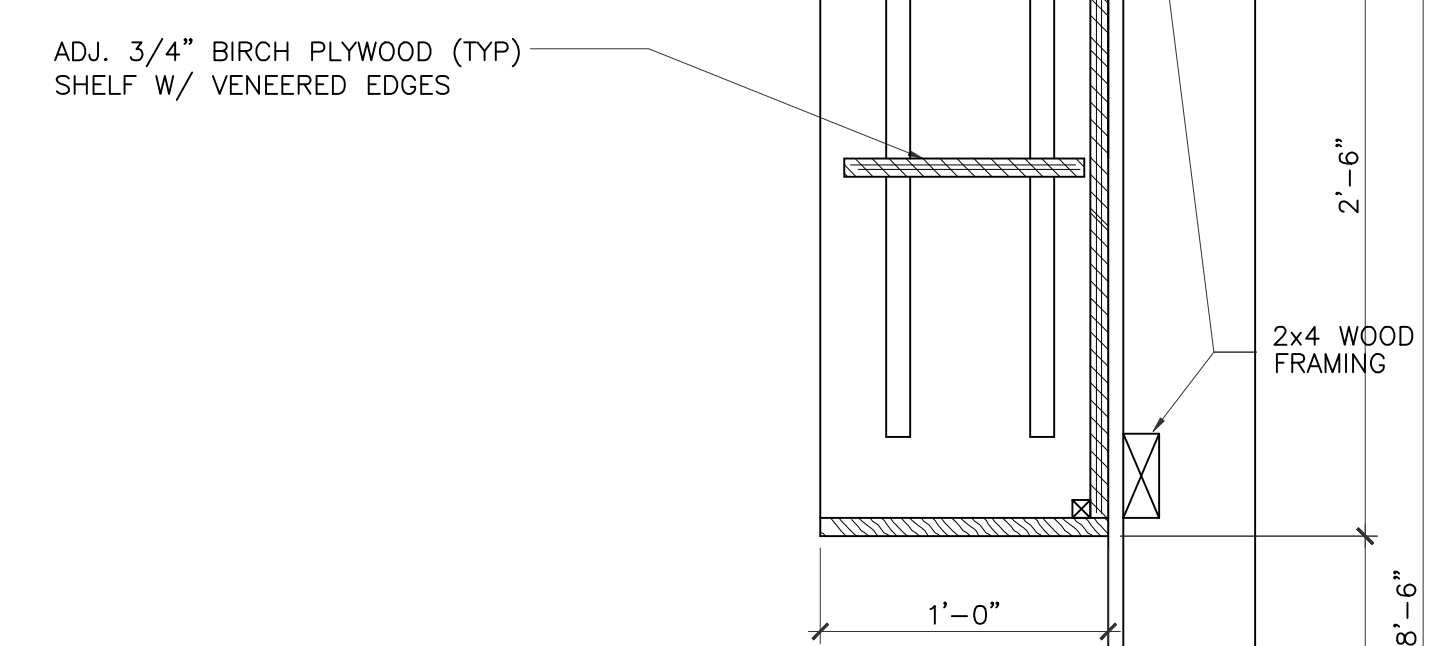


1 MILLWORK SECTION
 SCALE: 1 1/2"=1'-0"
 CLASSROOM #250, #300, #350, #400, #450, #500, #550, ACTIVITY ROOM

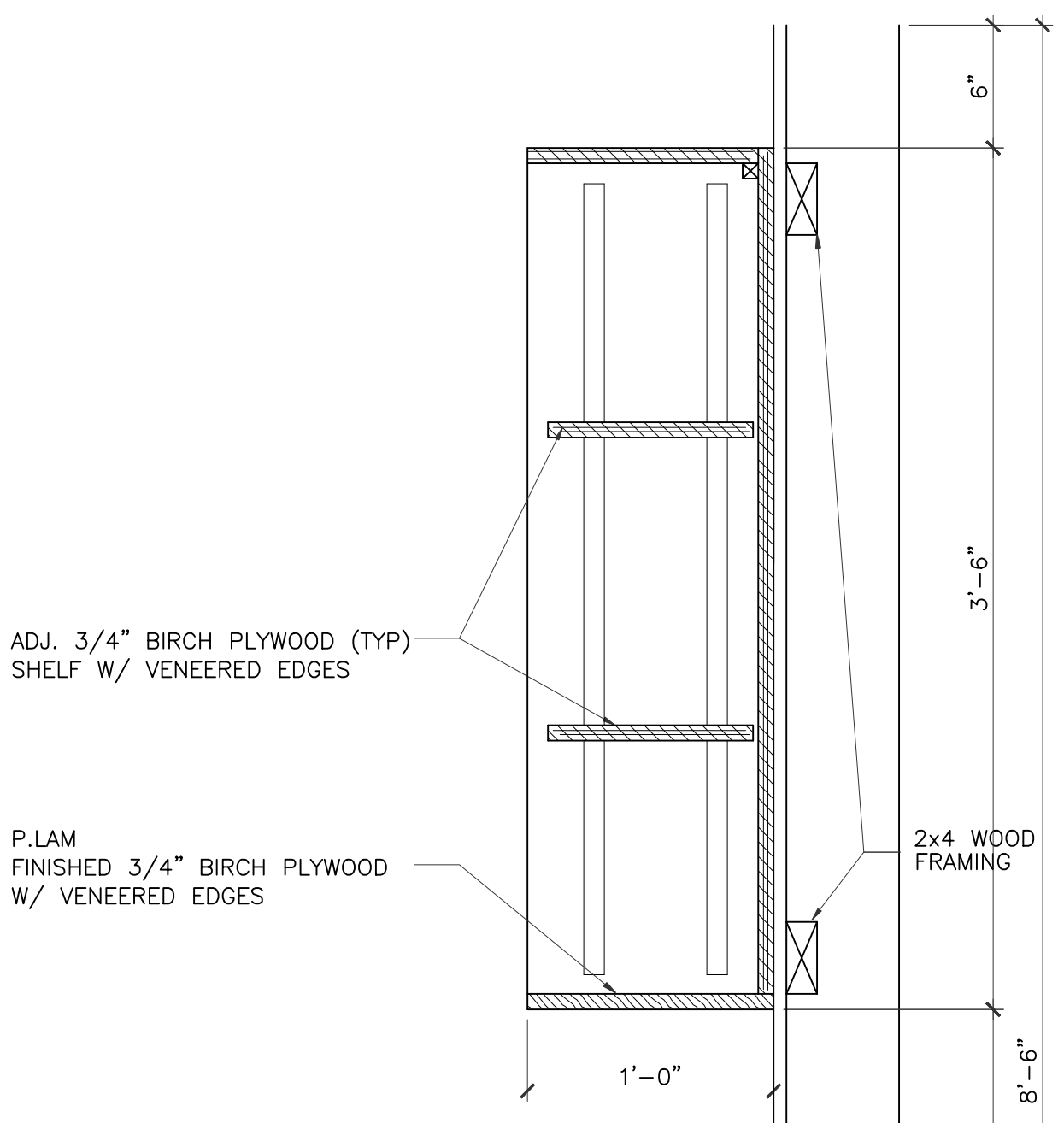
NOTE:
 THESE DIMENSIONS MUST BE MAINTAINED
 TO MEET ADA REQUIREMENTS



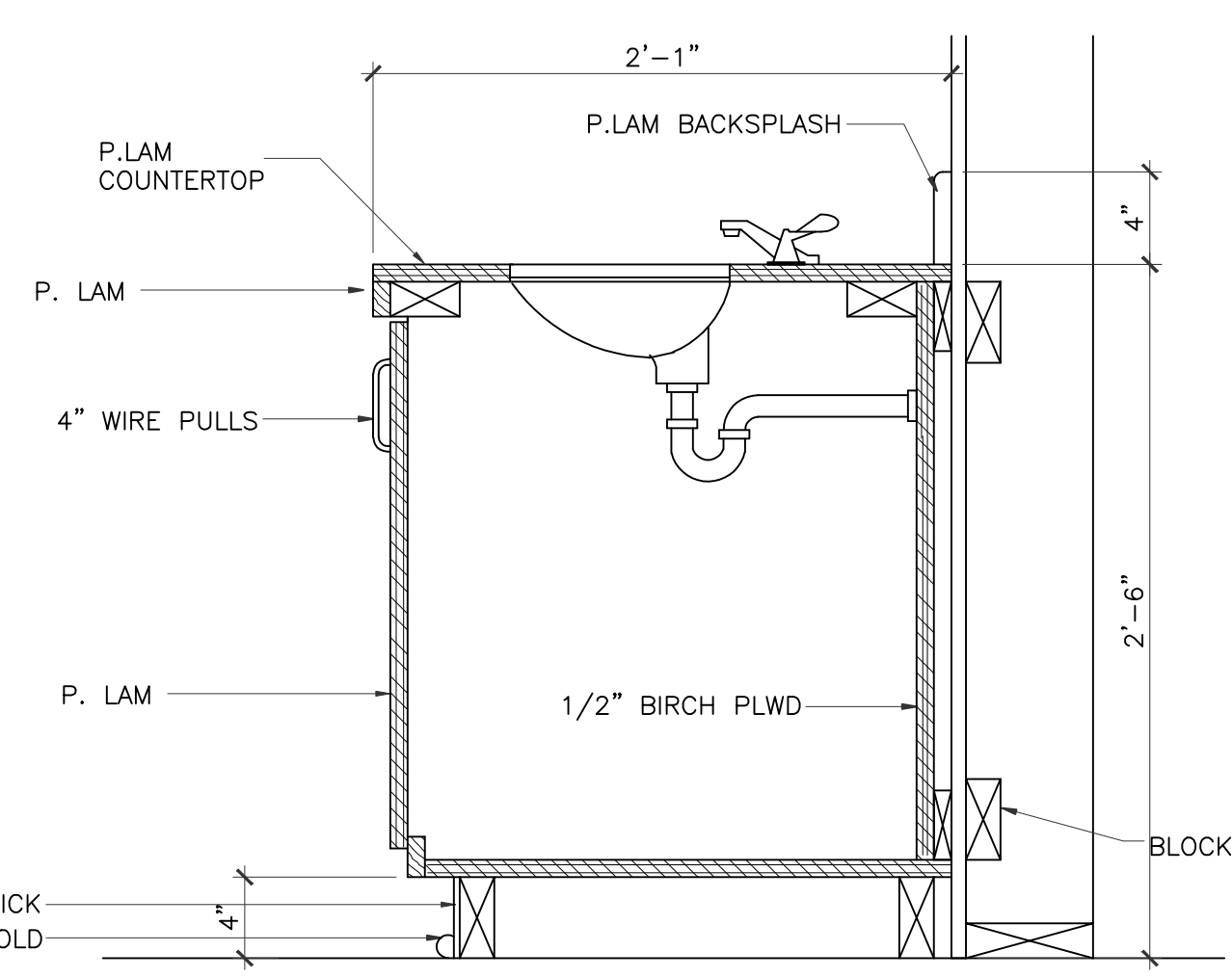
2 MILLWORK SECTION
 SCALE: 1 1/2"=1'-0"
 CLASSROOM #200, #250, #300, #350



7 MILLWORK SECTION
 SCALE: 1 1/2"=1'-0"
 CLASSROOM #250

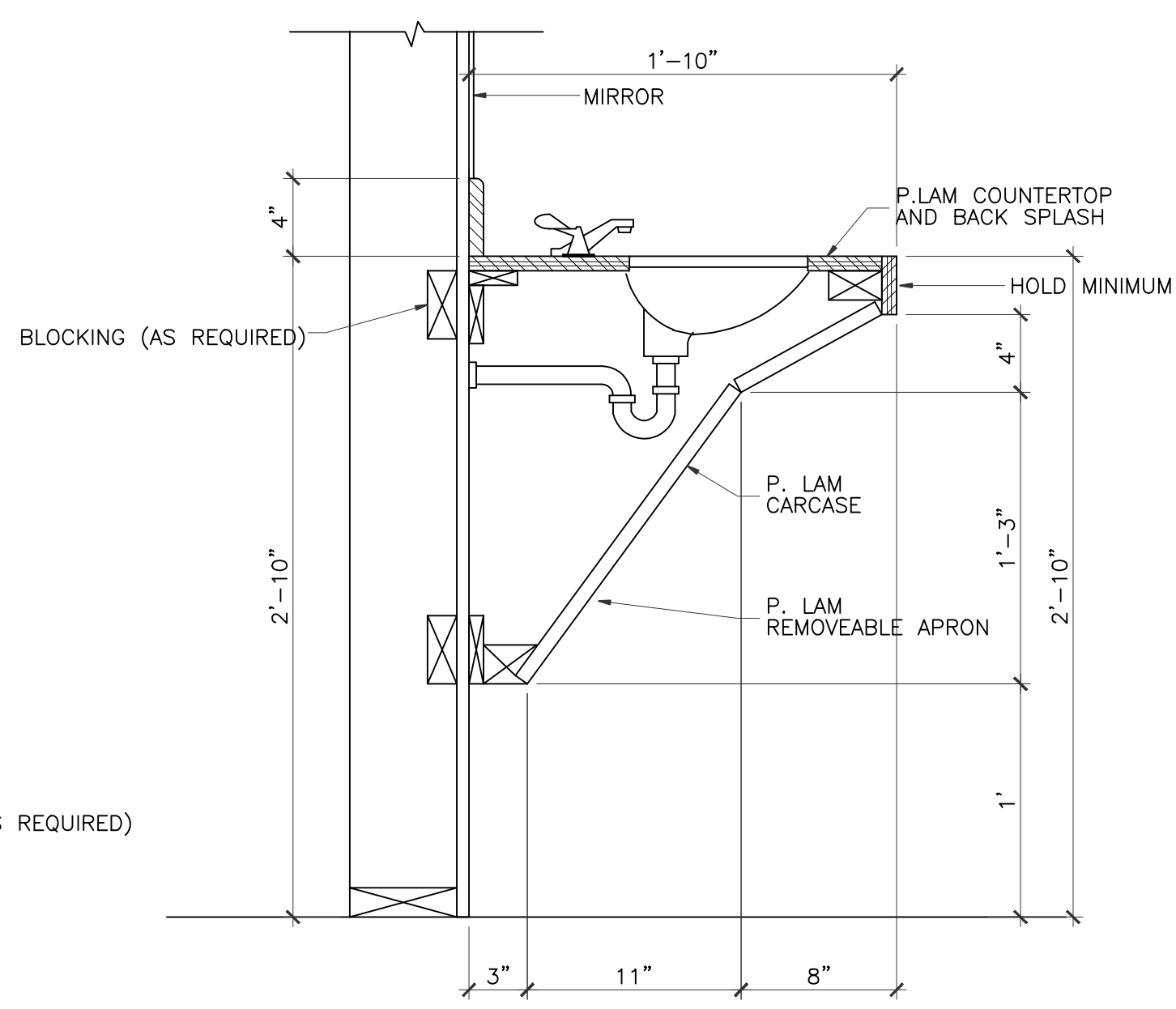


8 MILLWORK SECTION
 SCALE: 1 1/2"=1'-0"
 CLASSROOM #450



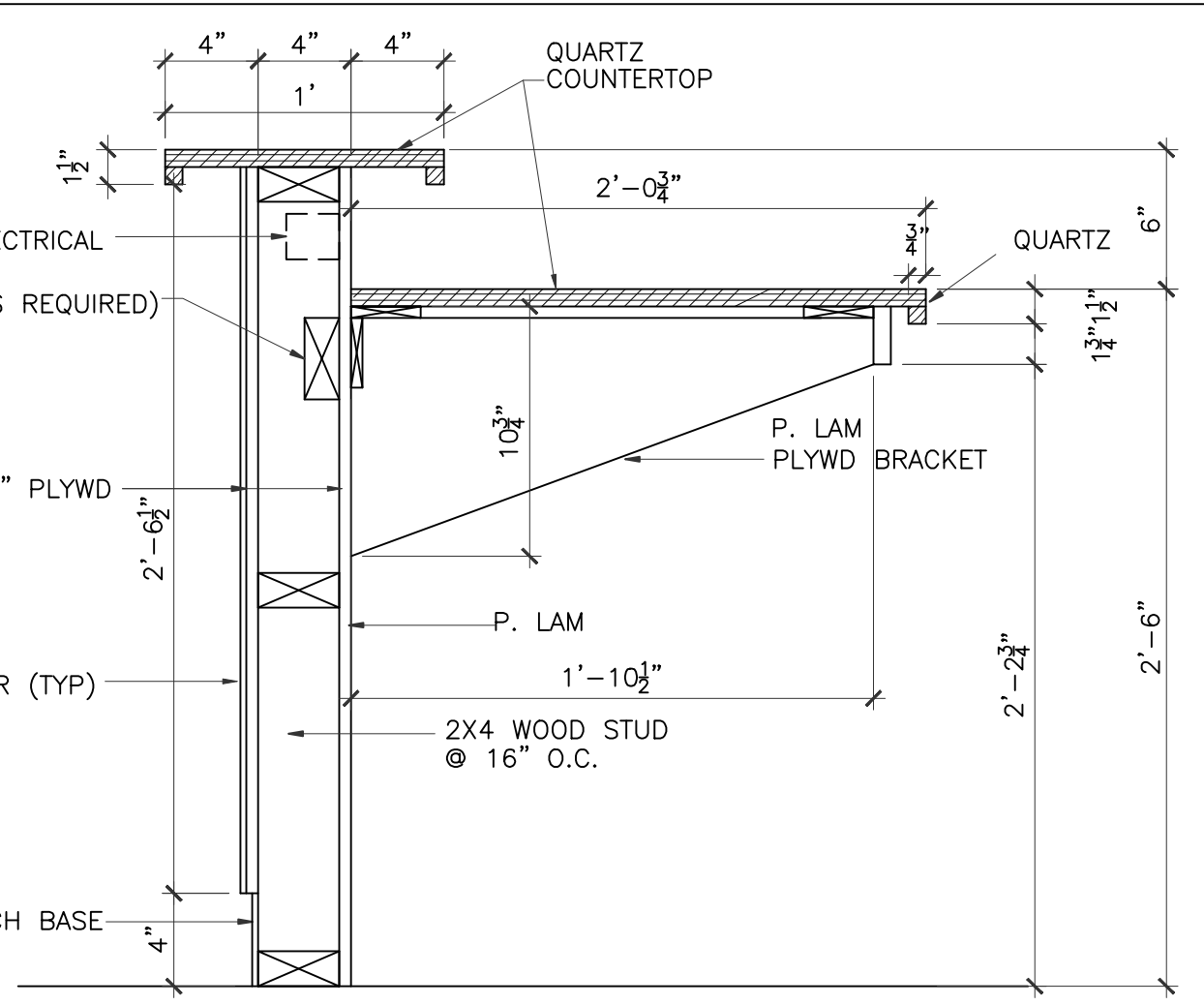
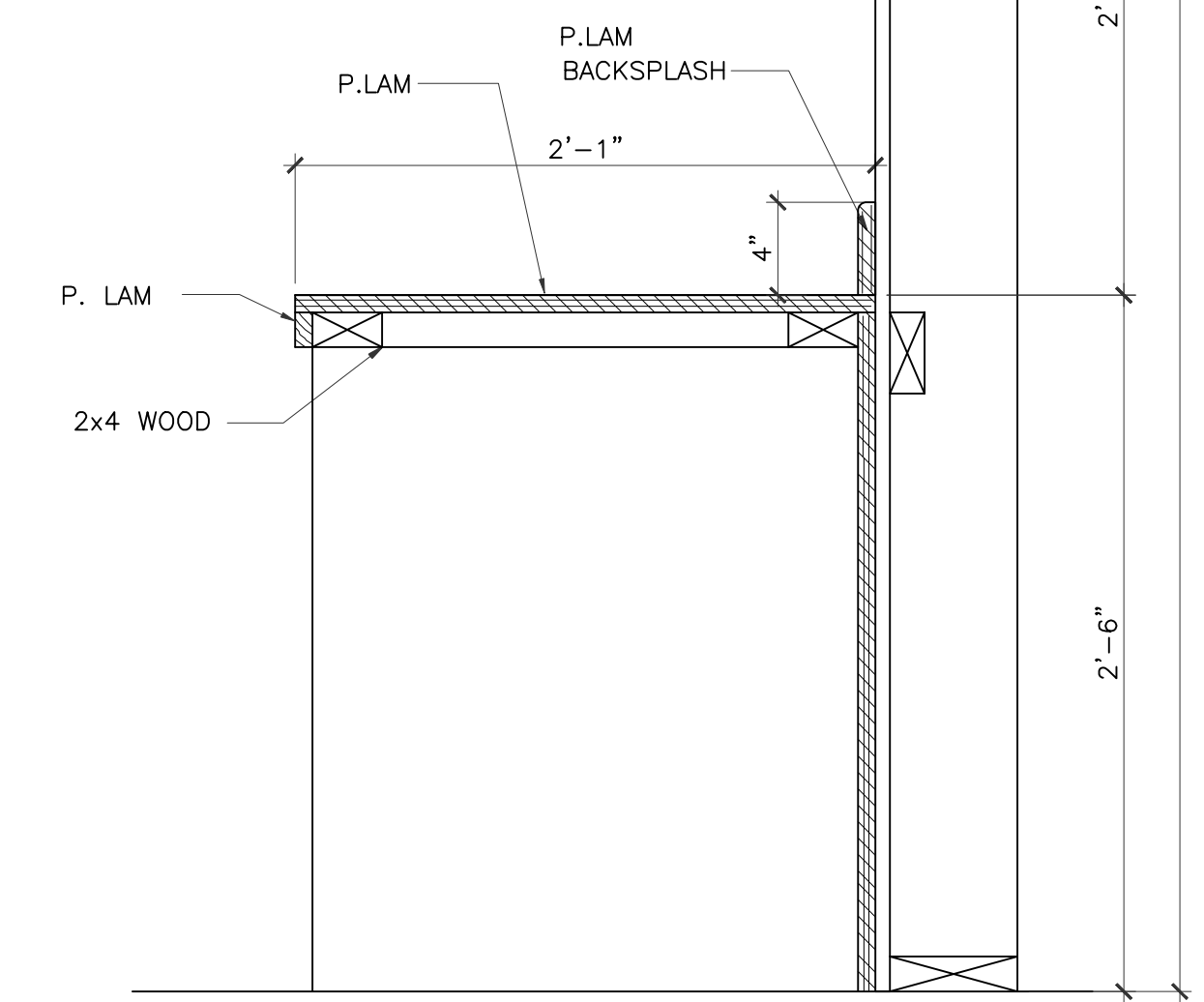
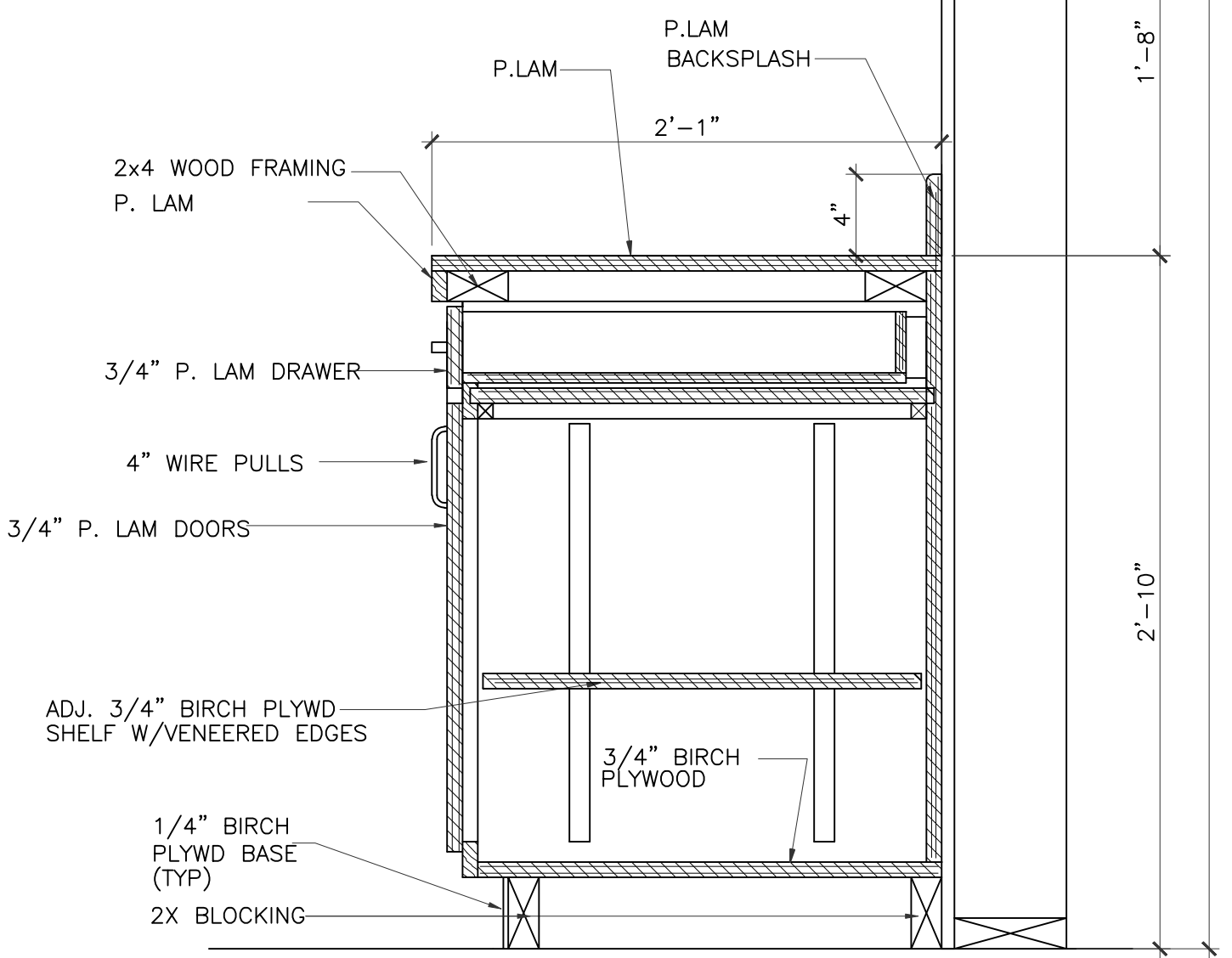
3 MILLWORK SECTION
 SCALE: 1 1/2"=1'-0"
 CLASSROOM #400, #450, #500, #550, ACTIVITY ROOM

P. LAM COUNTER TOP/SPALSH/RETURE: Pionite Pahnstasy PH7001
 P. LAM CABINET / CASE WORK: Wilsonart Skyline Walnut 7964

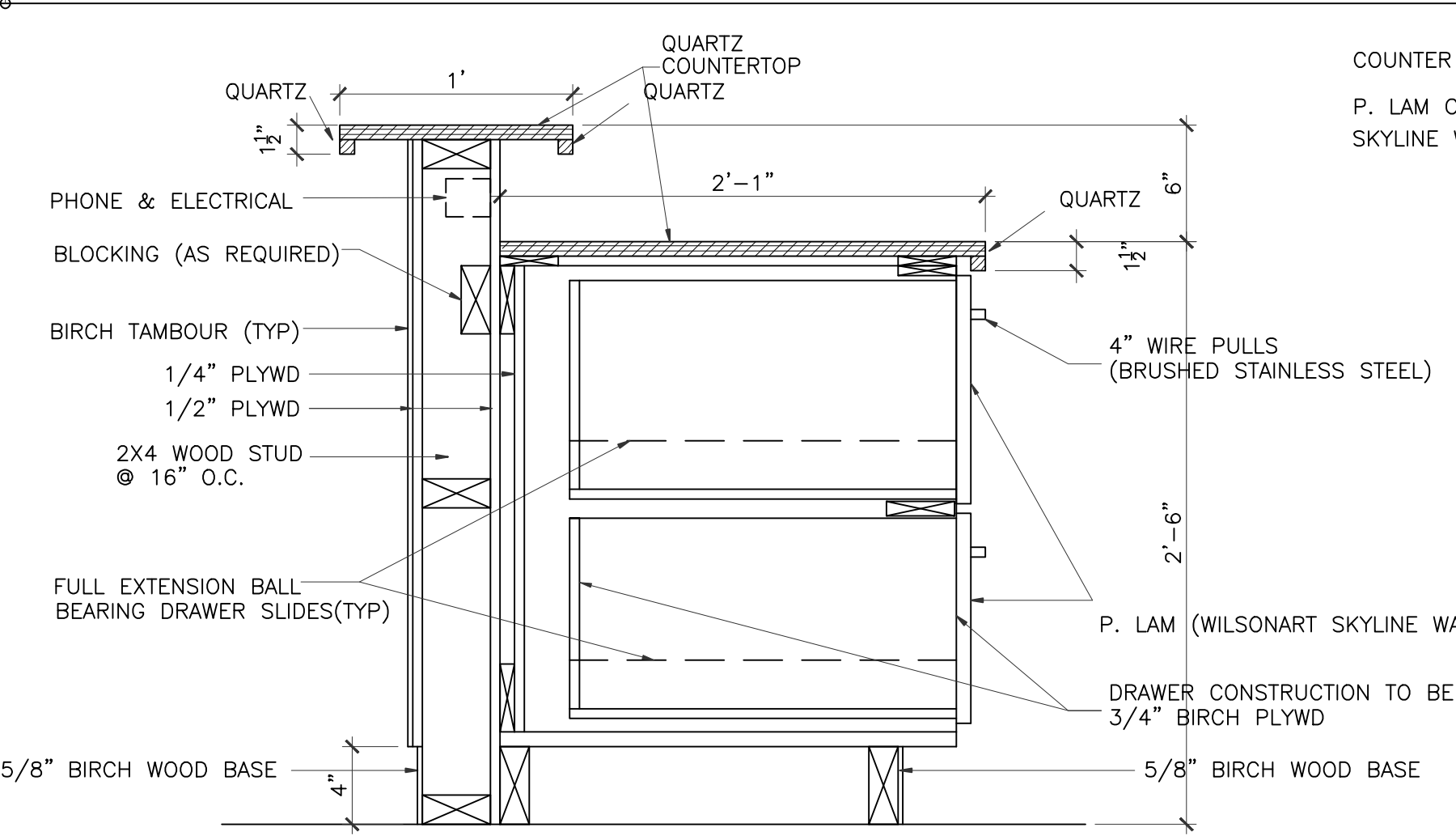


4 MILLWORK SECTION
 SCALE: 1 1/2"=1'-0"
 LUNCHROOM RESTROOM,

NOTE:
 THESE DIMENSIONS MUST BE MAINTAINED
 TO MEET ADA REQUIREMENTS

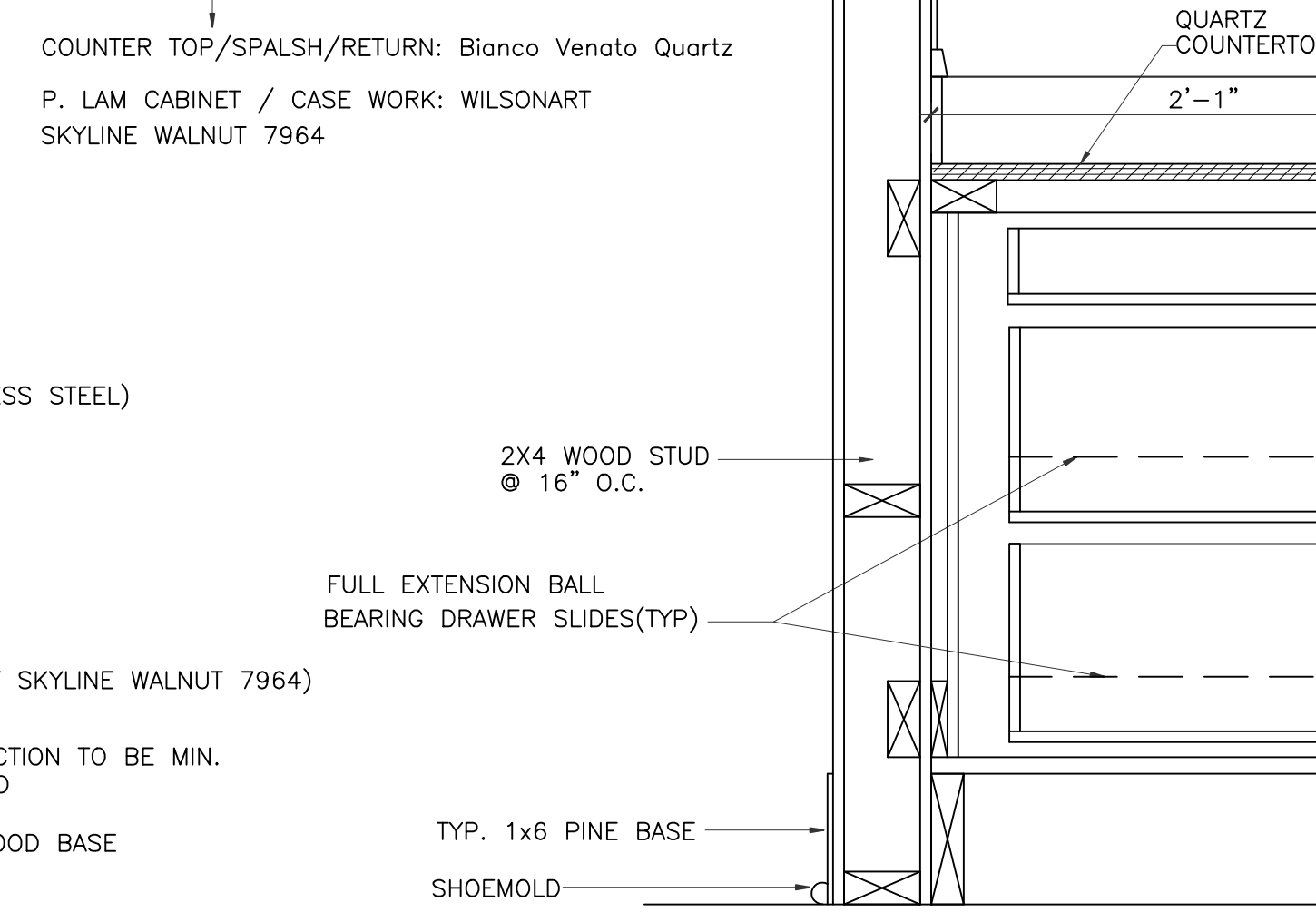


5 MILLWORK SECTION
 SCALE: 1 1/2"=1'-0"
 RECEPTION

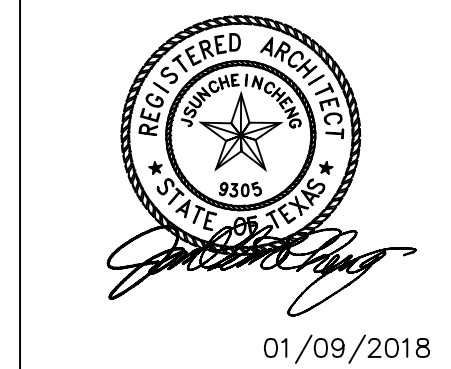
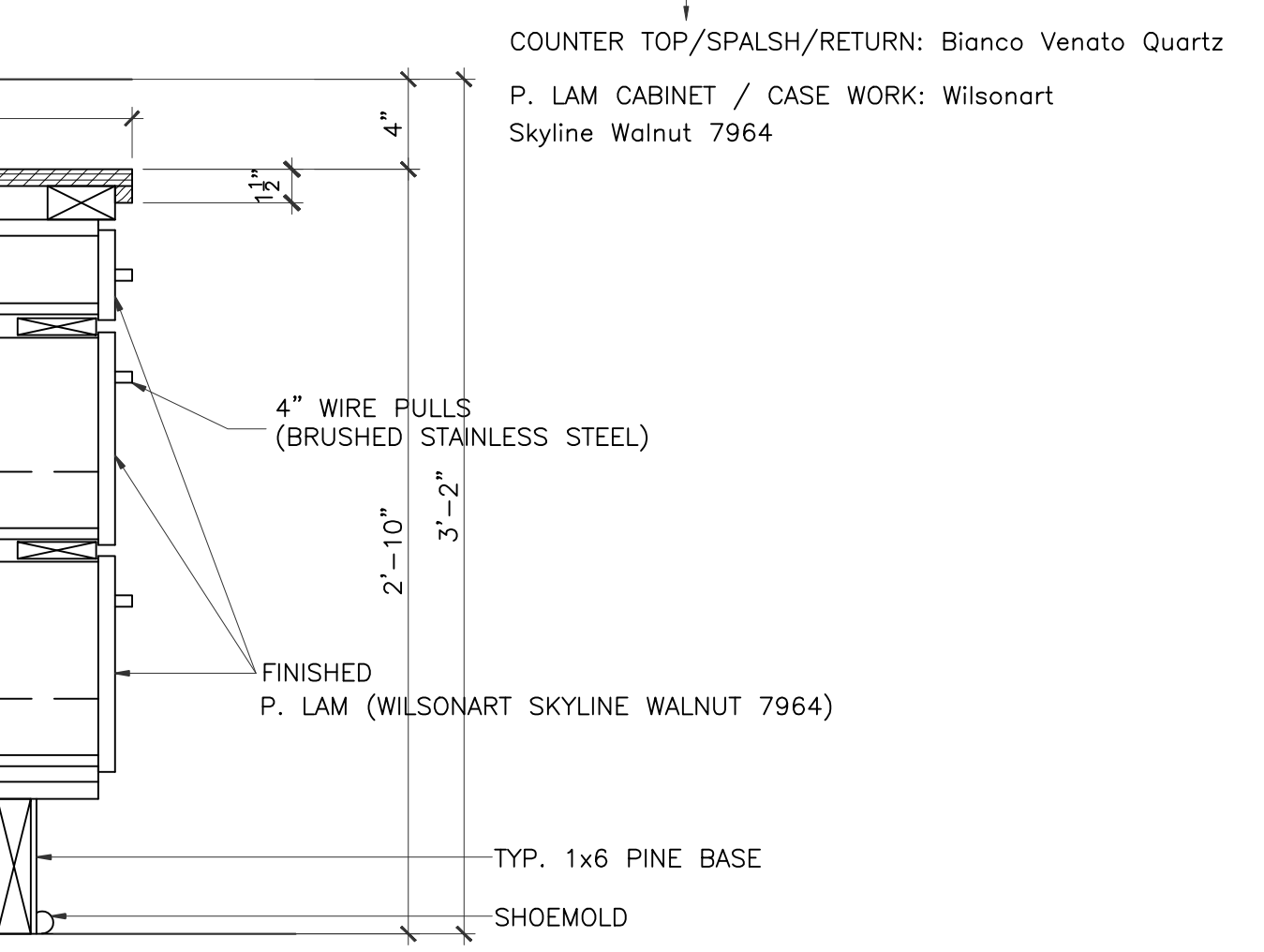


6 MILLWORK SECTION
 SCALE: 1 1/2"=1'-0"
 RECEPTION

NOTE:
 EDGE BAND ALL EXPOSED (VISIBLE) EDGES
 ON DRAWER AND CABINET FACES.



9 MILLWORK SECTION
 SCALE: 1 1/2"=1'-0"
 RECEPTION



DRAWING TITLE	
MILLWORK SECTIONS	
DRAWN BY	CHECKED BY
DATE	JOB NO.
DRAWING	NO.

A-8.1