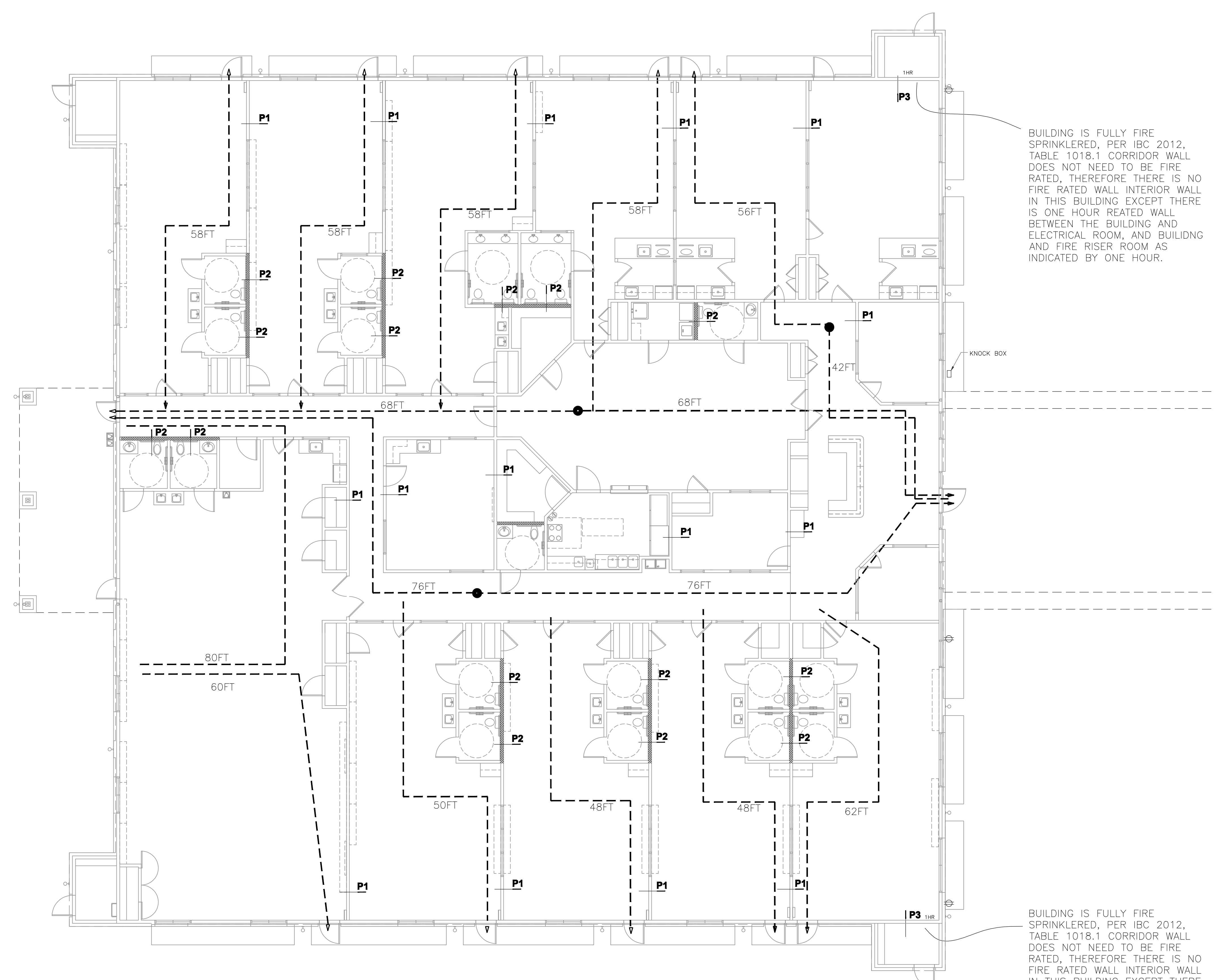


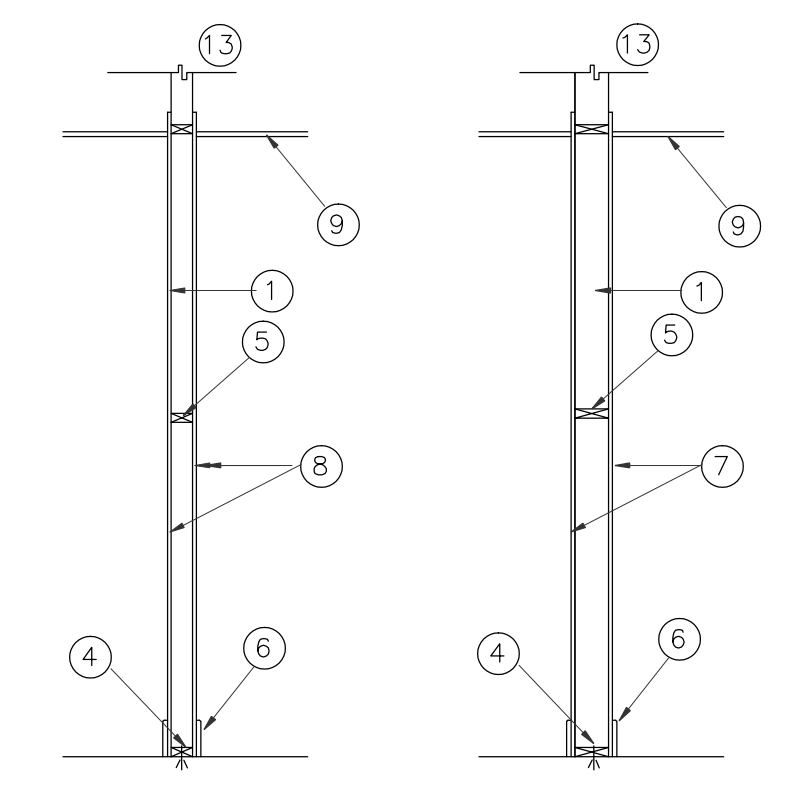
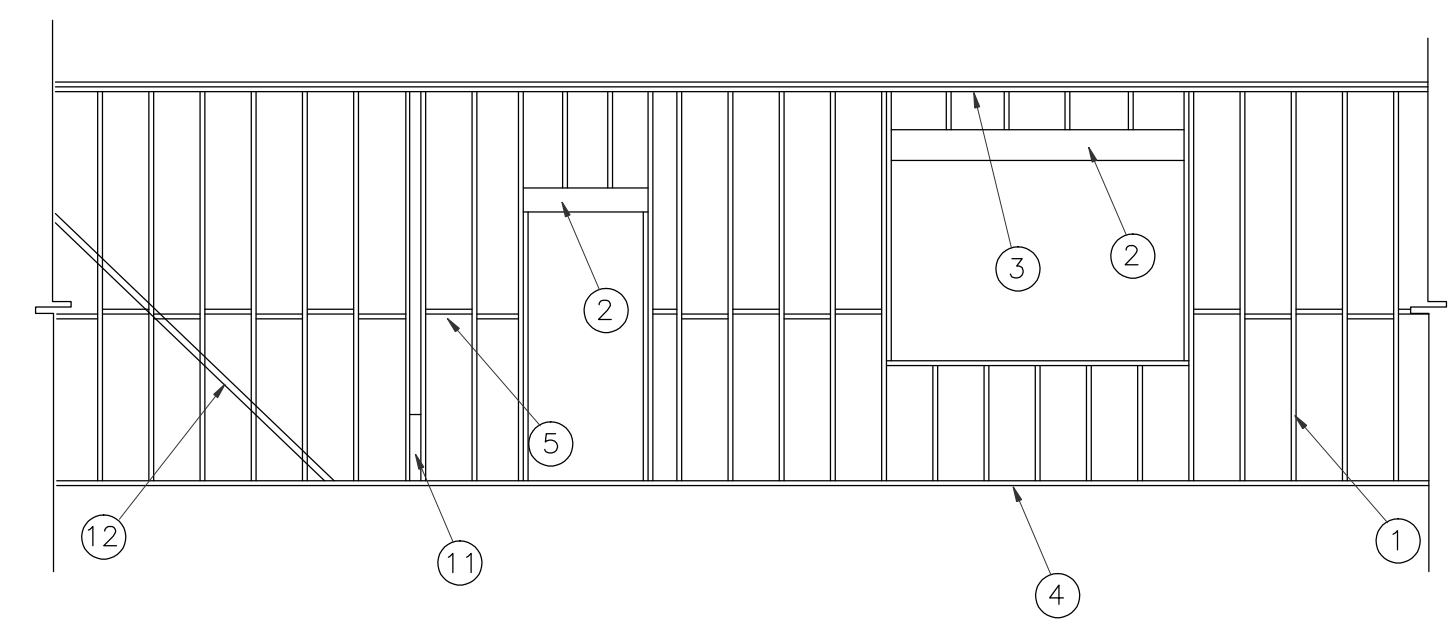
REVISIONS AND ISSUANCE		
NO.	DATE	DESCRIPTION
1	08/13/2017	PRICING
1	08/30/2018	addendum

IVY KIDS EARLY LEARNING CENTER
4434 CR 94
Manvel, Tx 77578



BUILDING IS FULLY FIRE SPRINKLERED, PER IBC 2012, TABLE 1018.1 CORRIDOR WALL DOES NOT NEED TO BE FIRE RATED, THEREFORE THERE IS NO FIRE RATED WALL INTERIOR WALL IN THIS BUILDING EXCEPT THERE IS ONE HOUR REATED WALL BETWEEN THE BUILDING AND ELECTRICAL ROOM, AND BUILDING AND FIRE RISER ROOM AS INDICATED BY ONE HOUR.

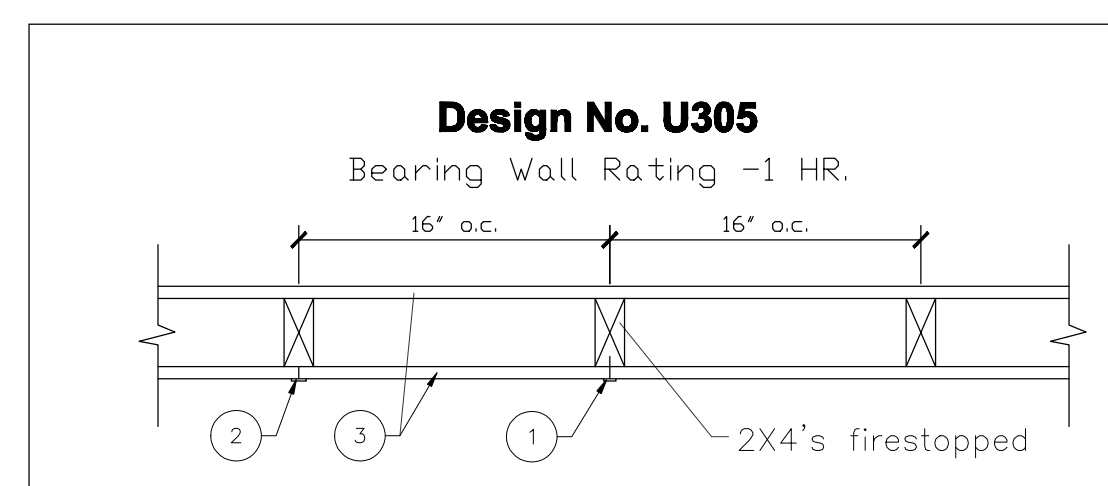
BUILDING IS FULLY FIRE SPRINKLERED, PER IBC 2012, TABLE 1018.1 CORRIDOR WALL DOES NOT NEED TO BE FIRE RATED, THEREFORE THERE IS NO FIRE RATED WALL INTERIOR WALL IN THIS BUILDING EXCEPT THERE IS ONE HOUR REATED WALL BETWEEN THE BUILDING AND ELECTRICAL ROOM, AND BUILDING AND FIRE RISER ROOM AS INDICATED BY ONE HOUR.



PARTITION P1
 2X4 WOOD STUDS
 TYP. INTERIOR PARTITION
 NON RATED

PARTITION P2
 2X6 WOOD STUDS
 TYP. PLUMBING (TOILET) PARTITION
 NON RATED

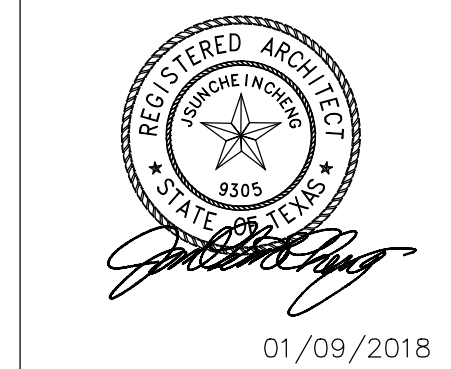
- 1 WOOD STUD SEE NOTE ON S-2A FOR SIZE AND SPACING
- 2 HEADR, SEE S2A FOR HEADER AND BEAM SCHEDULE
- 3 DOUBLE TOP PLATE, ATTACH TO BOTTOM OF TRUSS, SEE S6 FOR STRAPING DETAIL, SEE FRAMING NOTES ON S2A
- 4 BOTTOM PLATE, FASTEN TO CONCRETE SLAB, SEE S6 FOR STRAPING AND ANCHORING DETAIL SEE FRAMING NOTES ON S2A
- 5 FIRE STOP
- 6 SCHEDULED BASE
- 7 5/8" GYP. BOARD, USE GREEN BOARD AT PARTITION RECEIVING PLUMBING WORK
- 8 5/8" GYP BOARD
- 9 SCHEDULED CEILING
- 10 INSIDE CORNER OF COLUMN
- 11 LET-IN DIAGONAL BRACING
- 12 ATTACH TO BOTTOM OF TRUSS WHEN PERPENDICULAR TO TRUSS.
- 13 WHEN PARALLEL TO TRUSS, PROVIDE WOOD STUDS TO CONNECT TO BOTTOM OF TRUSS, MIN. OF THREE TRUSSES, ATTACH PARTITION TO WOOD STUDS.



1. Nailheads - Exposed or covered with joint compound.
2. Joints - Exposed or covered with fiber tape and joint compound except where required for specific edge configuration. For tapered, rounded-edge wallboard, joints covers with joint compound or fiber tape and joint compound. As an alternate, non 3/32 in. thick gypsum veneer plaster may be applied to the entire surface of Classified veneer baseboard. Joints reinforced
3. Wallboard, Gypsum - 5/8 in. thick wallboard paper or vinyl surfaced, with square or tapered edges, applied either horizontally or vertically. Wallboard nailed 7 in. oc with 6d cement-coated nails 1 7/8 in. long, 0.0915 in. shank diam and 1/4 in. diam heads. When used in widths of other than 48 in., wallboard is to be installed horizontally.
4. Steel Corner Fasteners - (Optional) - For use at wall corners. Channel shaped, 2 in. long by 1 in. high on the back side with two 1/8 in. wide cleats protruding into the 5/8 in. wide channel, fabricated from 24 gauge galv steel. Fasteners applied only to the end or cut edge (not along tapered edges of the wallboard, no greater than 2 in. from corner of wallboard, max. spacing 16 in. OC. Nailed to adjacent stud through tab using one No. 6d cement-coated nail per fastener. Corners of wall board shall be nailed to top and bottom plate using No. 6d cement-coated nails.

PARTITION P3
 ONE HOUR

1 FLOOR PLAN TRAVEL DISTANCE
 1/8" = 1'-0"



DRAWING TITLE	
FLOOR PLAN TRAVEL DIST. PARTITIONS	
DRAWN BY	CHECKED BY
DATE	JOB NO.
03/30/2017	gleannloch
DRAWING NO.	
A-2.0 F	