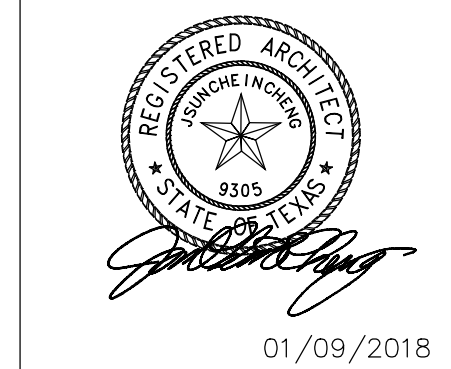


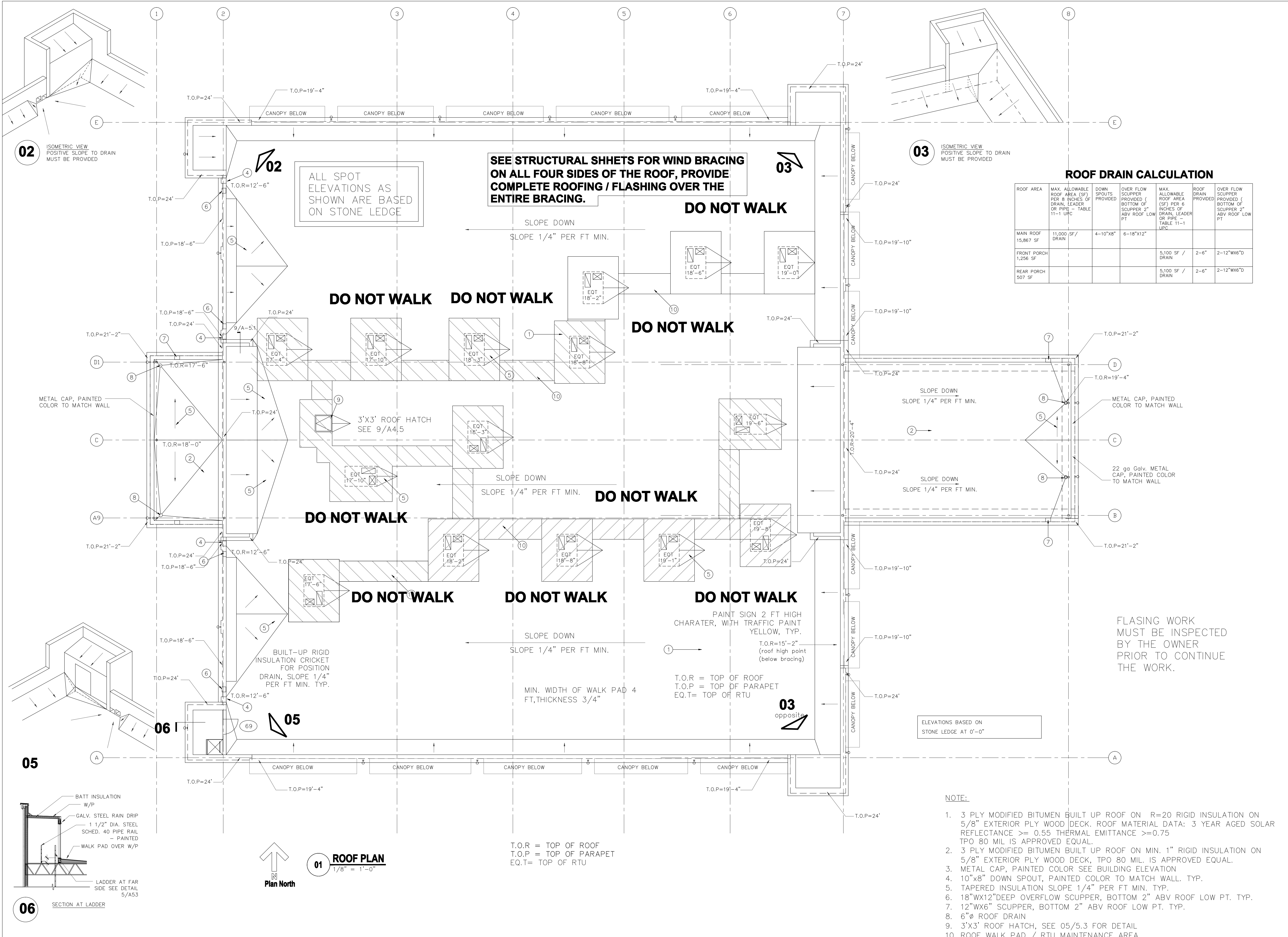
REVISIONS AND ISSUANCE		
NO.	DATE	DESCRIPTION
1	08/13/2017	PRICING

IVY KIDS EARLY LEARNING CENTER
4434 CR 94
Manvel, Tx 77578



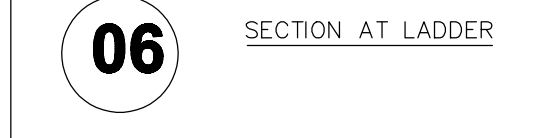
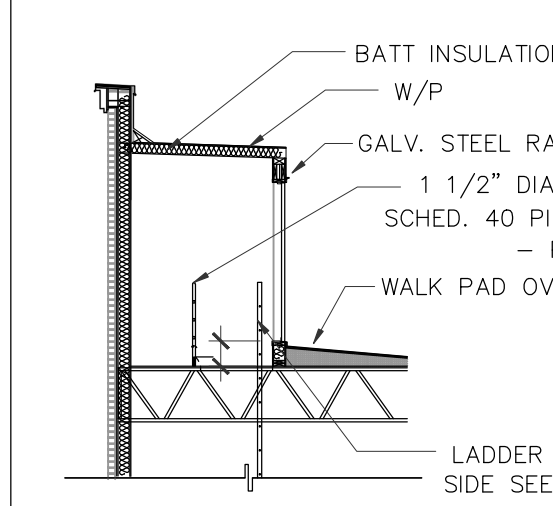
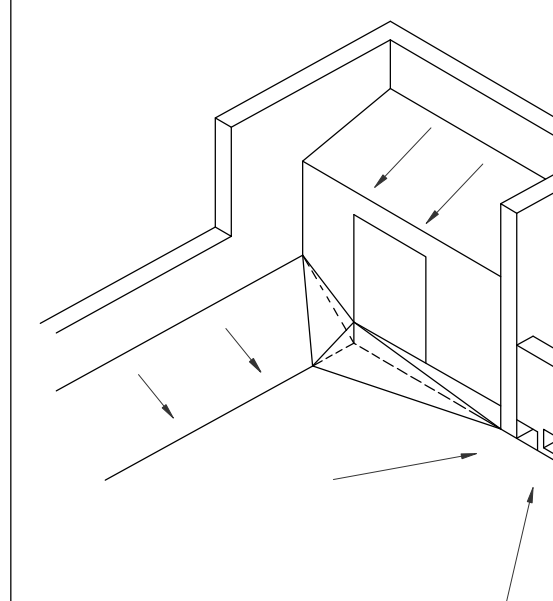
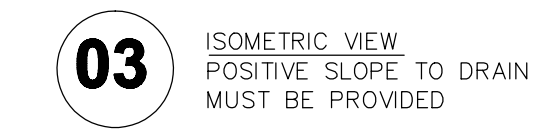
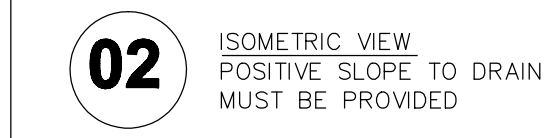
DRAWING TITLE	
ROOF PLAN	
DRAWN BY	CHECKED BY
DATE	JOB NO.
DRAWING NO.	

A-2.2



ROOF DRAIN CALCULATION

ROOF AREA	MAX. ALLOWABLE ROOF AREA (SF) PER 8 INCHES OF DRAIN, LEADER OR PIPE - TABLE 11-1 UPC	DOWN SPOUTS PROVIDED	OVER FLOW SCUPPER PROVIDED (BOTTOM OF SCUPPER 2\"/>		
MAIN ROOF 15,867 SF		4-10"x8"	6-18"x12"		
FRONT PORCH 1,256 SF				5,100 SF / DRAIN	2-6" 2-12"Wx6"D
REAR PORCH 507 SF				5,100 SF / DRAIN	2-6" 2-12"Wx6"D



ALL SPOT ELEVATIONS AS SHOWN ARE BASED ON STONE LEDGE

SEE STRUCTURAL SHHETS FOR WIND BRACING ON ALL FOUR SIDES OF THE ROOF, PROVIDE COMPLETE ROOFING / FLASHING OVER THE ENTIRE BRACING.

DO NOT WALK

DO NOT WALK DO NOT WALK

DO NOT WALK

DO NOT WALK

DO NOT WALK

DO NOT WALK

DO NOT WALK

DO NOT WALK

FLASING WORK MUST BE INSPECTED BY THE OWNER PRIOR TO CONTINUE THE WORK.

PAINT SIGN 2 FT HIGH CHARATER, WITH TRAFFIC PAINT YELLOW, TYP.
T.O.R=15'-2" (roof high point (below bracing))

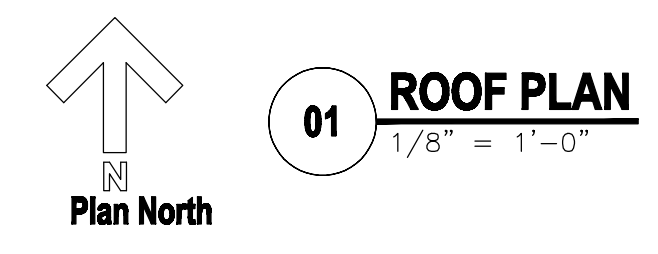
T.O.R = TOP OF ROOF
T.O.P = TOP OF PARAPET
EQ.T= TOP OF RTU

MIN. WIDTH OF WALK PAD 4 FT, THICKNESS 3/4"

ELEVATIONS BASED ON STONE LEDGE AT 0'-0"

NOTE:

- 3 PLY MODIFIED BITUMEN BUILT UP ROOF ON R=20 RIGID INSULATION ON 5/8" EXTERIOR PLY WOOD DECK. ROOF MATERIAL DATA: 3 YEAR AGED SOLAR REFLECTANCE >= 0.55 THERMAL EMITTANCE >=0.75 TPO 80 MIL IS APPROVED EQUAL.
- 3 PLY MODIFIED BITUMEN BUILT UP ROOF ON MIN. 1" RIGID INSULATION ON 5/8" EXTERIOR PLY WOOD DECK, TPO 80 MIL. IS APPROVED EQUAL.
- METAL CAP, PAINTED COLOR SEE BUILDING ELEVATION
- 10"x8" DOWN SPOUT, PAINTED COLOR TO MATCH WALL. TYP.
- TAPERED INSULATION SLOPE 1/4" PER FT MIN. TYP.
- 18"WX12"DEEP OVERFLOW SCUPPER, BOTTOM 2" ABV ROOF LOW PT. TYP.
- 12"WX6" SCUPPER, BOTTOM 2" ABV ROOF LOW PT. TYP.
- 6"Ø ROOF DRAIN
- 3'X3' ROOF HATCH, SEE 05/5.3 FOR DETAIL
- ROOF WALK PAD / RTU MAINTENANCE AREA



T.O.R = TOP OF ROOF
T.O.P = TOP OF PARAPET
EQ.T= TOP OF RTU