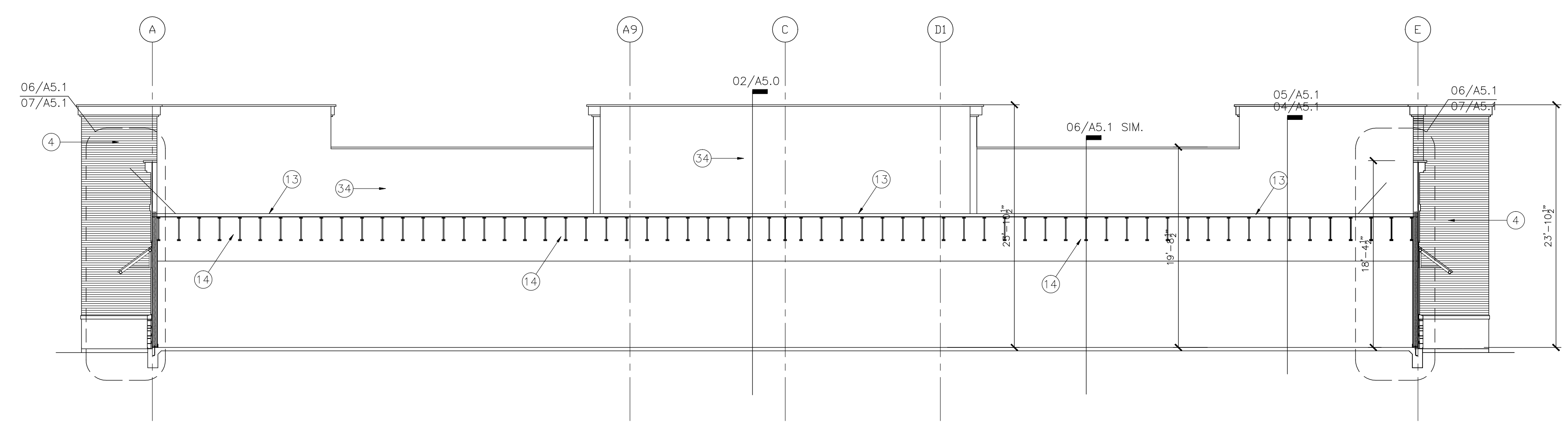
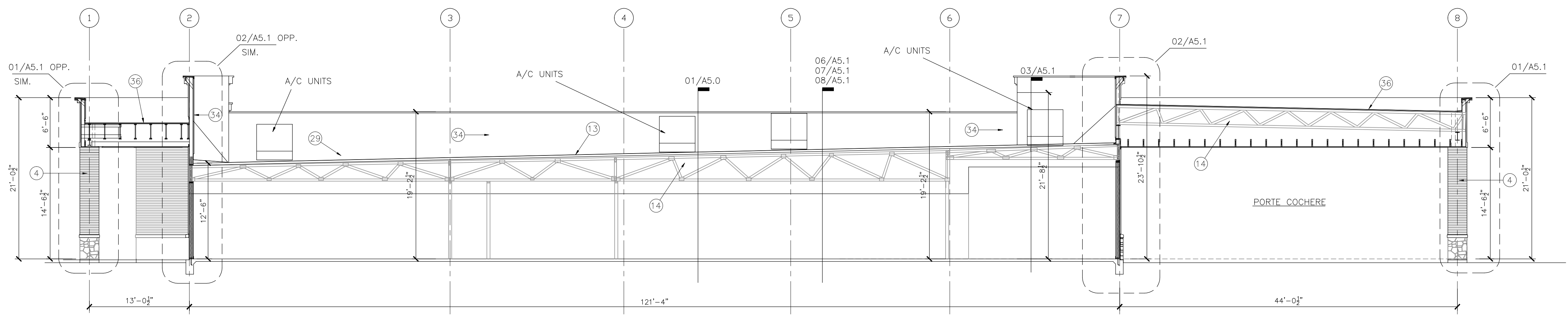


REVISIONS AND ISSUANCE		
NO.	DATE	DESCRIPTION
1	08/13/2017	PRICING
2	08/30/2019	ADDENDUM



**01 BUILDING SECTION**  
SCALE: 1/8"=1'-0"



**02 BUILDING SECTION**  
SCALE: 1/8"=1'-0"

1. 1" STUCCO ON STEEL WIRE MESH, PAINTED
2. STUCCO BAND
3. STANDING SEAM METAL ROOF, by "BERRIDGE"
4. BRICK
5. LIMESTONE CAP
6. GALVANIZED METAL FLASHING
7. 10"X8" GALV. METAL DOWNSPOUT, CONNECTED TO UNDERGROUND STORM DRAIN SYSTEM, SEE CIVIL DRAWING.
8. 12"Wx8"H OVERFLOW SCUPPER
9. 10"Wx8"H ROOF SCUPPER WITH DRAIN BOX
10. CROWN MOLDING, PAINTED, SEE DETAIL FOR SIZE
11. GALVANIZED METAL CAP, PAINTED COLOR TO MATCH MOLDING
12. EXPOSED STEEL STRUCTURE, PAINTED COLOR TO MATCH STANDING SEAM METAL ROOF
13. 3 PLY MODIFIED BITUMEN BUILT UP ROOF ON 1/2" RIGID INSULATION ON 5/8" EXTERIOR PLY WOOD DECK
14. ROOF TRUSS, SEE STRUCTURAL
15. S. 1/2" R-19 BATT INSULATION AT ALL EXTERIOR WALLS
16. 2X6 WOOD STUDS @ 16" O.C. SEE STRUCTURAL
17. BRICK TIES, 22 GA, @ 16" O.C. HORIZONTAL & 32" O.C. VERTICAL
18. WEEP HOLES @ 24" O.C.
19. PLASTIC FLASHING (THRU-WALL TYPE)
20. 1/2"X1/2" LG. A.B. @ 36" O.C.
21. 5/8" GYPSUM BOARD, PAINTED. (USE WATER RESISTANT GYP. BOARD AT PLUMBING WALLS)
22. SCHEDULED DOOR
23. SCHEDULED WINDOW
24. SCHEDULED BASE
25. HOLLOW METAL FRAME / DOOR
26. STEEL LINTEL, PAINTED COLOR TO MATCH WALL, SIZE SEE STRUCTURAL
27. SEALANT AND BACKER ROD
29. ROOF HATCH, SEE PLAN FOR LOCATION, SEE SOFFIT.
30. CONTINUOUS CAULK
31. SOFFIT.
32. CONTINUOUS SOFFIT VENT
34. "R" METAL PANEL SIDING, PREFINISHED
35. 1/2" EXTERIOR PLYWOOD OR O.S.B. SHEATHING COVERED "TYVEK" STUCCO WARP
36. 3 PLY MODIFIED BITUMEN BUILT UP ROOF ON 1" RIGID INSULATION ON 5/8" EXTERIOR PLY WOOD DECK
37. STEEL BEAM, SEE STRUCTURAL
38. 2x TREATED WOOD BLOCK CONTINUOUS
39. STONE
40. WOOD STAINED

**GENERAL NOTES**

1. ALL INSULATION MATERIAL SHALL HAVE A FLAME SPREAD RATING OF NOT MORE THAN 25 AND SHALL HAVE A SMOKE DEVELOPED RATING OF NOT MORE THAN 450.

**IVY KIDS EARLY LEARNING CENTER**  
**4434 CR 94**  
**Manvel, Tx 77578**



DRAWING TITLE	
<b>BUILDING SECTIONS</b>	
DRAWN BY	CHECKED BY
DATE	JC
03/30/2017	gleannloch
DRAWING NO.	
<b>A-5.0</b>	