

REVISIONS AND ISSUANCE		
NO.	DATE	DESCRIPTION
1	08/13/2017	PRICING
2	08/30/2018	ADDENDUM 1

IVY KIDS EARLY LEARNING CENTER
 4434 CR 94
 Manvel, Tx 77578



01/09/2018

DRAWING TITLE

DETAILS

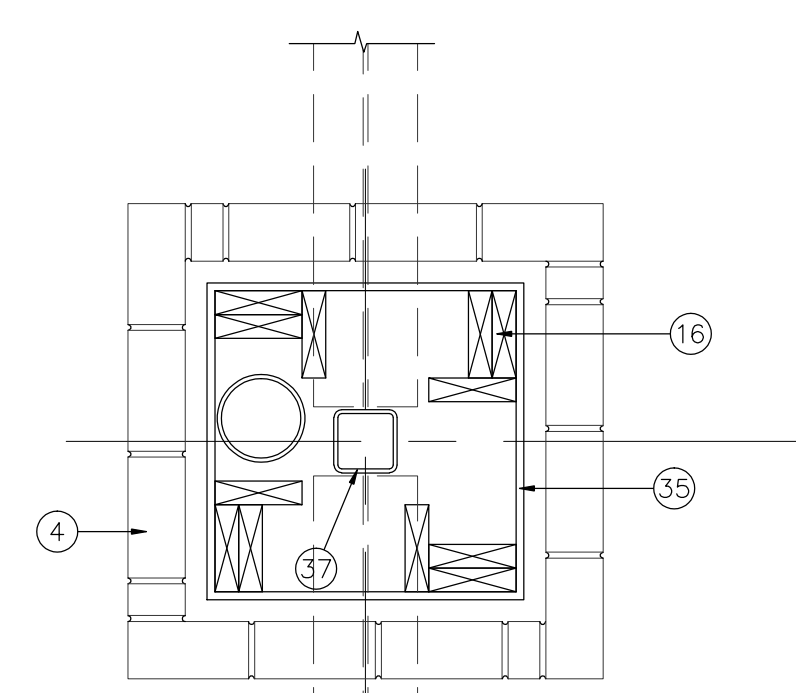
DRAWN BY: JC
CHECKED BY: JC

DATE: 03/30/2017
JOB NO.: gleannloch

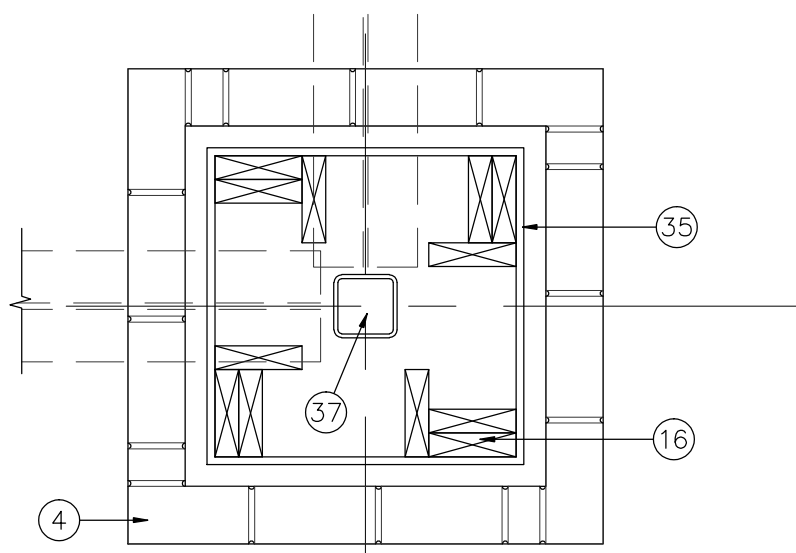
DRAWING NO. **A-5.3**

- FLOOR LINE
- STEEL ROD RING 3/4" DIAMETER MINIMUM. PLUG WELD TO RAILS. GRIND WELDS FLUSH.
- MINIMUM CLEARANCE TO PERPENDICULAR OBSTRUCTION = 15".
- BRACKET 3" X 1/4" STEEL PLATE OF SUFFICIENT LENGTH TO PROVIDE 7" STANDOFF FROM CENTERLINE OF RINGS. BEND TO FORM A 2" ANGLE. WELD TO RAIL AND BOLT TO STRUCTURE.
- STEEL BAR RAIL 3/8" X 2". PUNCH FOR RINGS. RAIL, 1 PIECE UNLESS OVER 16 FEET LONG.
- EQUAL RING SPACING, 1'-0" MAXIMUM.

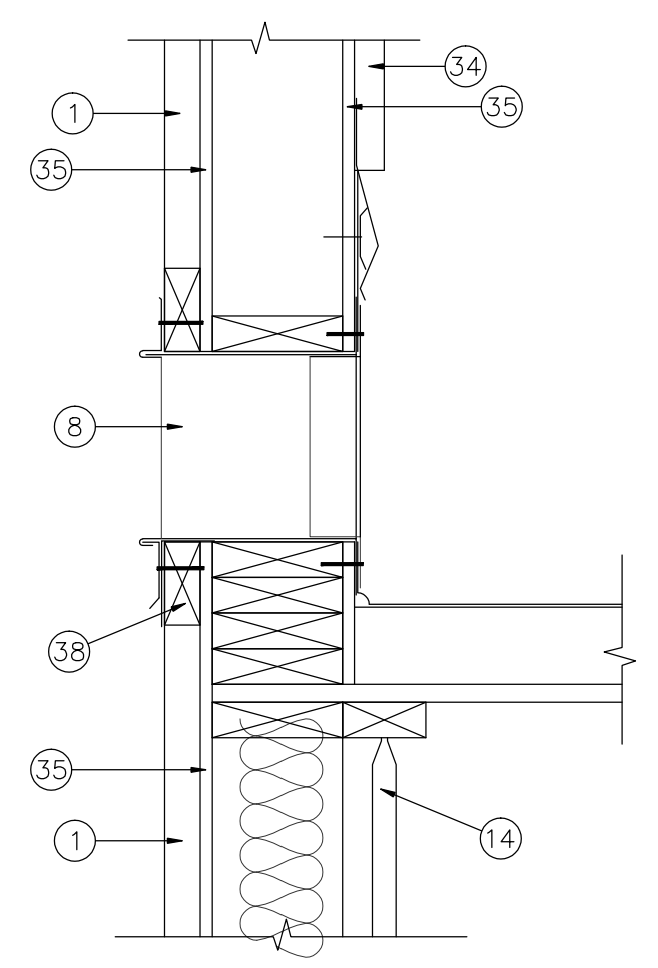
- 1" STUCCO ON STEEL WIRE MESH. PAINTED
- STUCCO BAND
- STANDING SEAM METAL ROOF, by "BERRIDGE"
- BRICK
- LMESTONE CAP
- GALVANIZED METAL FLASHING
- 10"x8" GALV. METAL DOWNSPOUT, CONNECTED TO UNDERGROUND STORM DRAIN SYSTEM. SEE CIVIL DRAWING.
- 12"x8"x4" OVERFLOW SCUPPER
- 10"x8"x4" ROOF SCUPPER WITH DRAIN BOX
- CROWN MOLDING, PAINTED, SEE DETAIL FOR SIZE
- GALVANIZED METAL CAP, PAINTED COLOR TO MATCH MOLDING
- EXPOSED STEEL STRUCTURE, PAINTED COLOR TO MATCH STANDING SEAM METAL ROOF
- 3 PLY MODIFIED BITUMEN BUILT UP ROOF ON R=24 RIGID INSULATION ON 5/8" EXTERIOR PLY WOOD DECK
- ROOF TRUSS, SEE STRUCTURAL
- 5 1/2" R-19 BATT INSULATION AT ALL EXTERIOR WALLS
- 2x6 WOOD STUDS @ 16" O.C. SEE STRUCTURAL
- BRICK TIES, 22 GA, @ 16" O.C. HORIZONTAL & 32" O.C. VERTICAL.
- WEEP HOLES @ 24" O.C.
- PLASTIC FLASHING (THRU-WALL TYPE)
- 1/2"x12" LG A.B. @ 36" O.C.
- 5/8" GYPSUM BOARD, PAINTED. (USE WATER RESISTANT GYP. BOARD AT PLUMBING WALLS)
- SCHEDULED DOOR
- SCHEDULED WINDOW
- SCHEDULED BASE
- HOLLOW METAL FRAME / DOOR
- STEEL LINTEL, PAINTED COLOR TO MATCH WALL, SIZE SEE STRUCTURAL
- SEALANT AND BACKER ROD
- ROOF HATCH, SEE PLAN FOR LOCATION, SEE STRUCTURAL
- CONTINUOUS CAULK
- SOFFIT
- CONTINUOUS SOFFIT VENT
- 7" METAL PANEL SIDING, PREFINISHED
- 1/2" EXTERIOR PLYWOOD OR O.S.B. SHEATHING COVERED "TYVEK" STUCCO WARP
- 3 PLY MODIFIED BITUMEN BUILT UP ROOF ON 1" RIGID INSULATION ON 5/8" EXTERIOR PLY WOOD DECK
- STEEL BEAM, SEE STRUCTURAL
- 2x TREATED WOOD BLOCK CONTINUOUS
- STONE
- WOOD STAINED



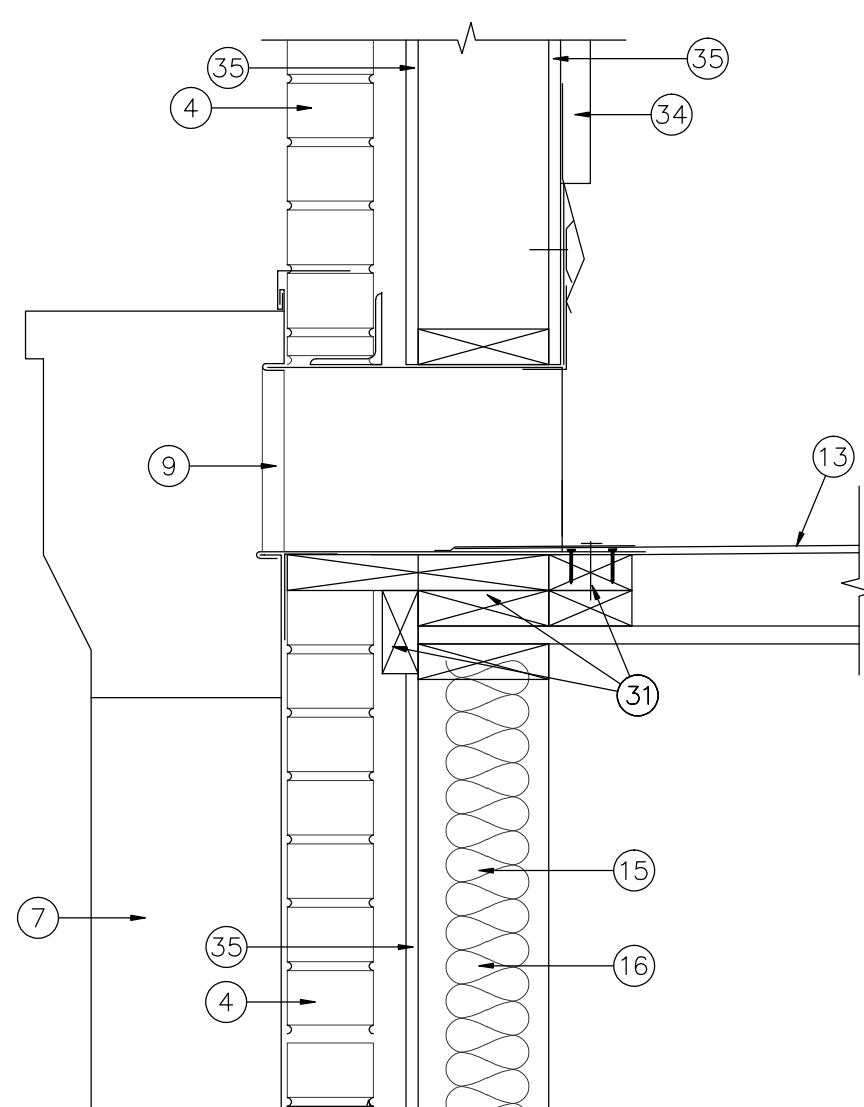
01 COLUMN PLAN
SCALE: 1"=1'-0"



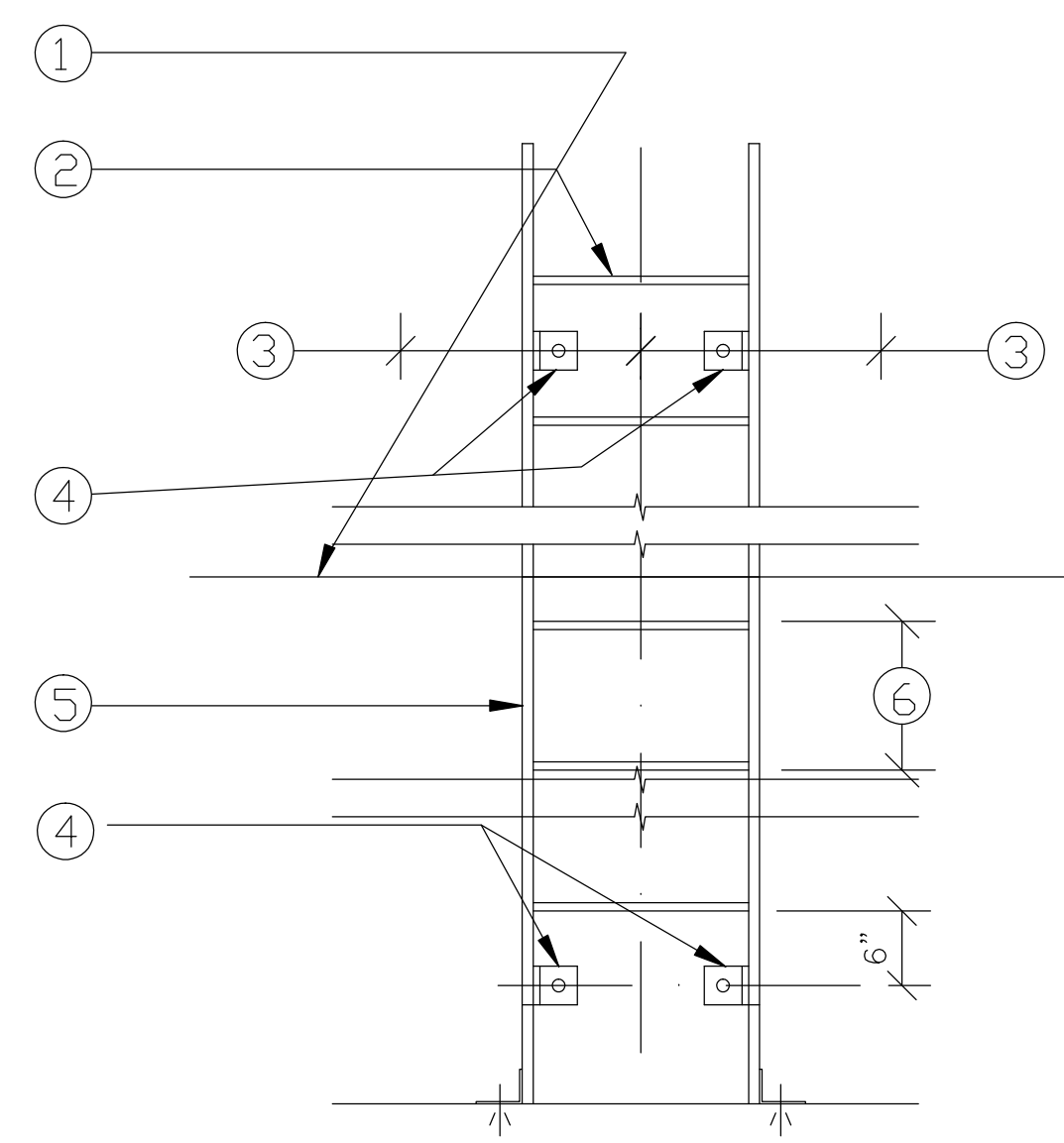
02 COLUMN PLAN
SCALE: 1"=1'-0"



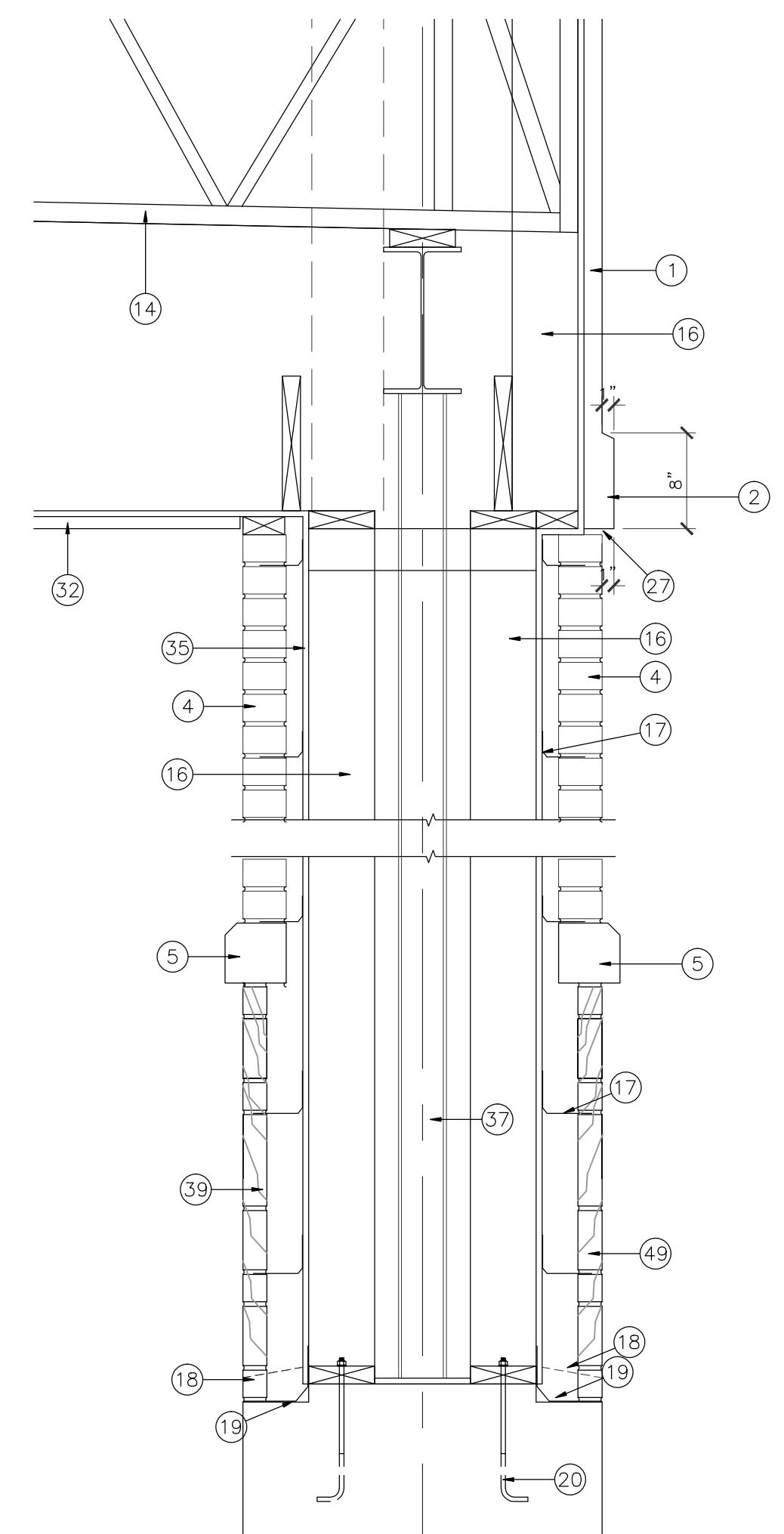
03 DETAIL
SCALE: 1 1/2"=1'-0"



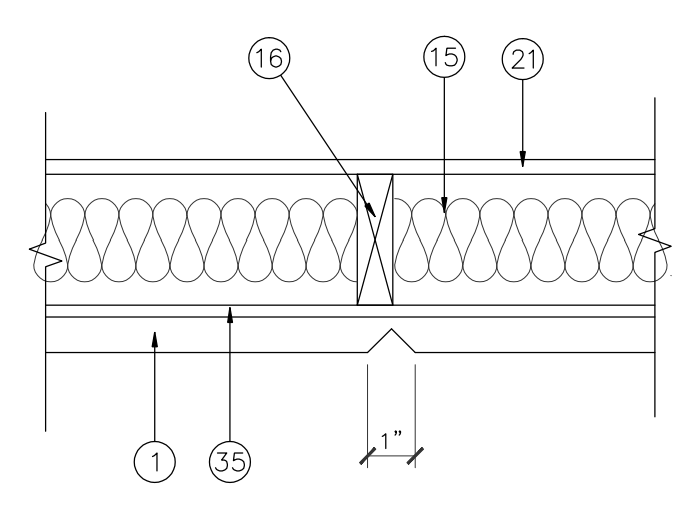
04 DETAIL
SCALE: 1 1/2"=1'-0"



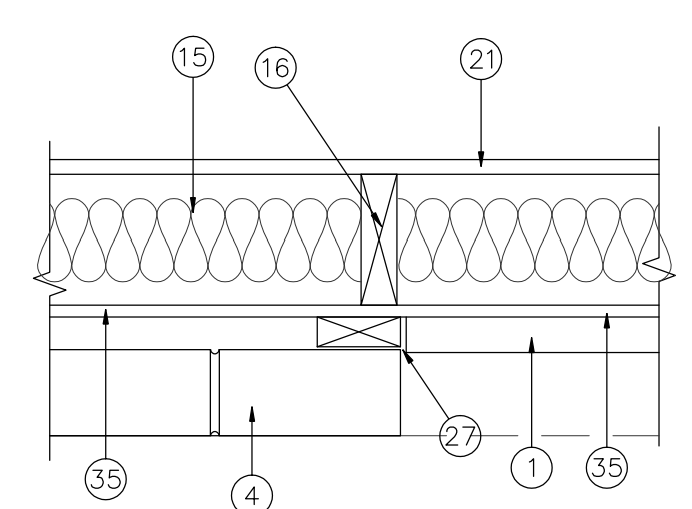
05 ROOF LADDER DETAIL
SCALE: 1"=1'-0"



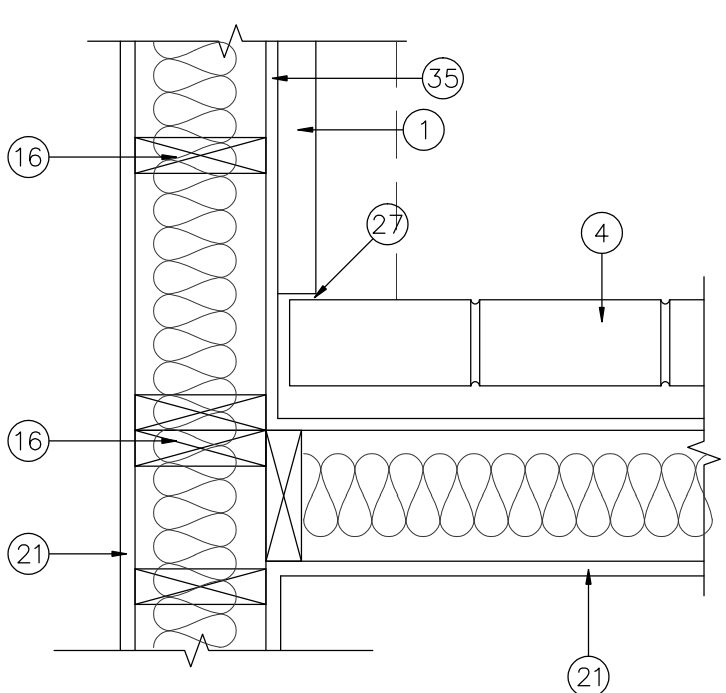
06 COLUMN SECTION
SCALE: 1"=1'-0"



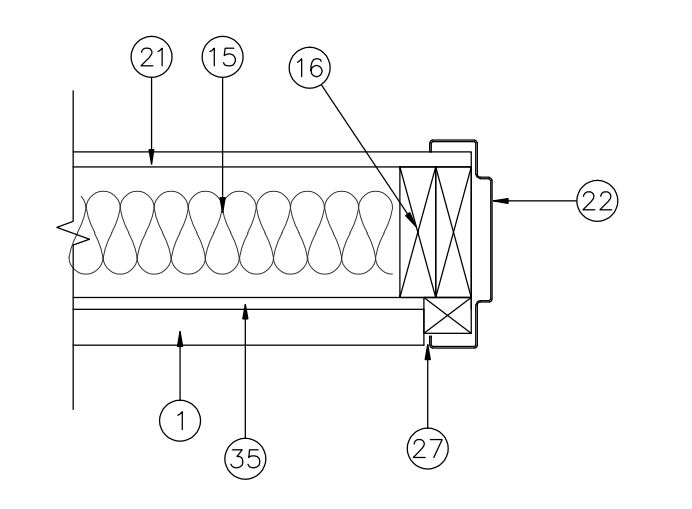
07 DETAIL
SCALE: 1 1/2"=1'-0"



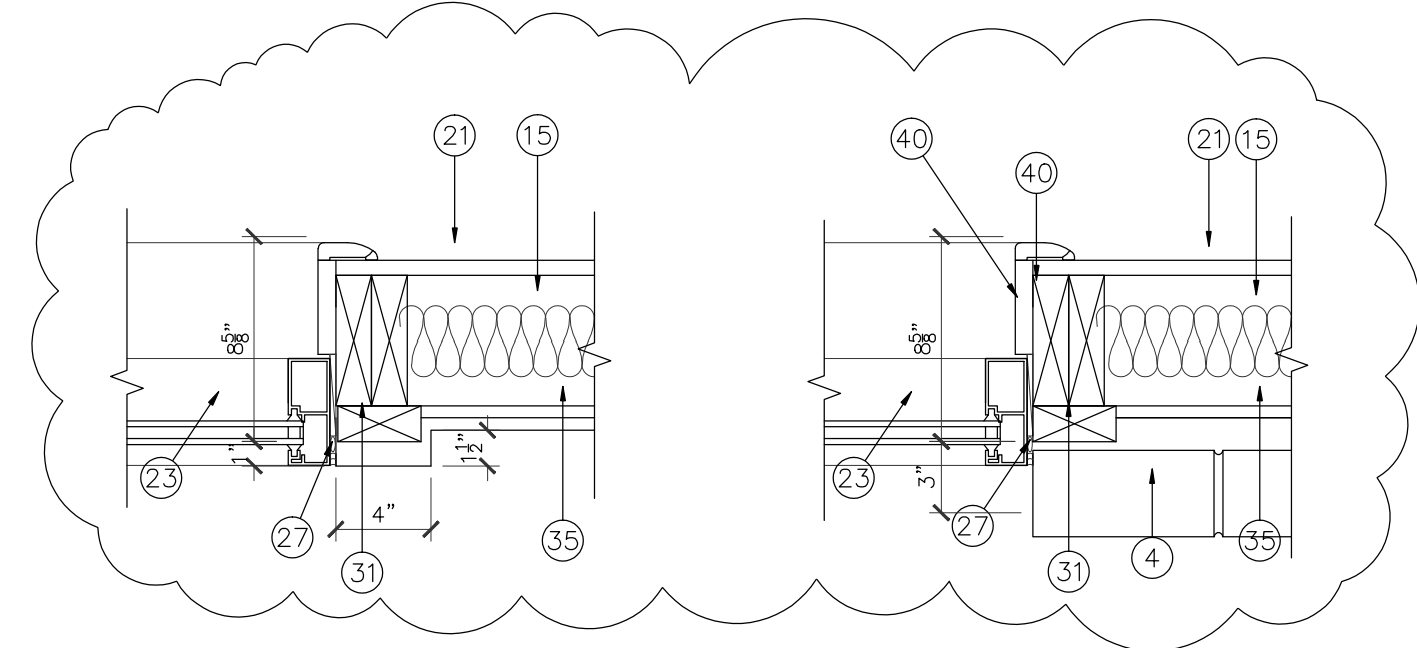
08 DETAIL
SCALE: 1 1/2"=1'-0"



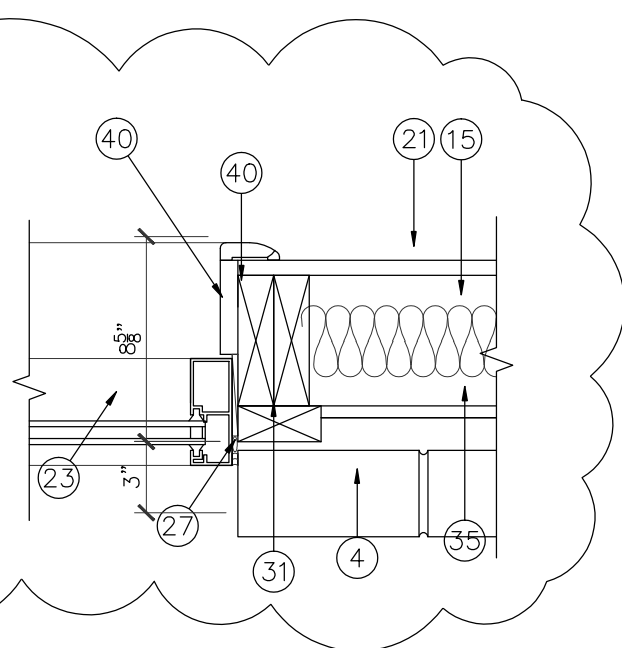
09 DETAIL
SCALE: 1 1/2"=1'-0"



10 DETAIL
SCALE: 1 1/2"=1'-0"

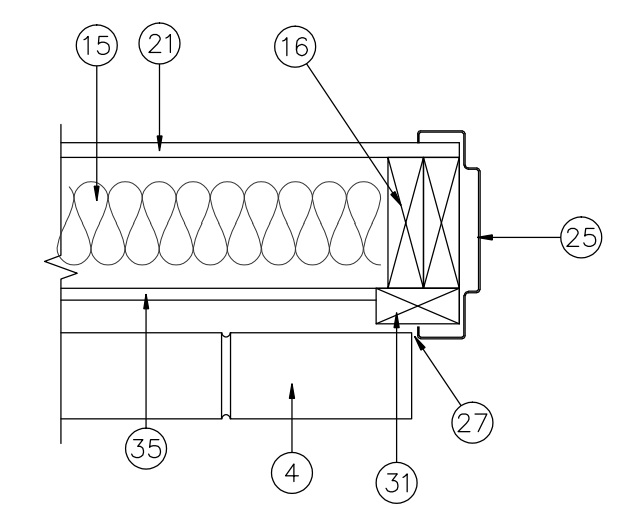


11 DETAIL
SCALE: 1 1/2"=1'-0"



12 DETAIL
SCALE: 1 1/2"=1'-0"

13 DETAIL
SCALE: 1 1/2"=1'-0"



14 DETAIL
SCALE: 1 1/2"=1'-0"

15 INTERIOR DOOR JAMB- DETAIL
SCALE: 1 1/2"=1'-0"

16 INTERIOR DOOR HEADER- DETAIL
SCALE: 1 1/2"=1'-0"