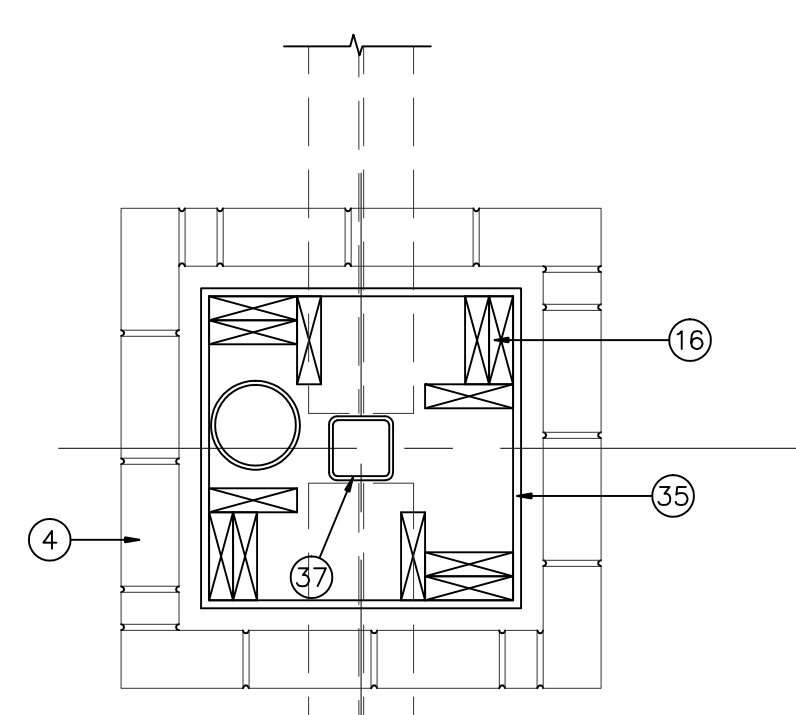


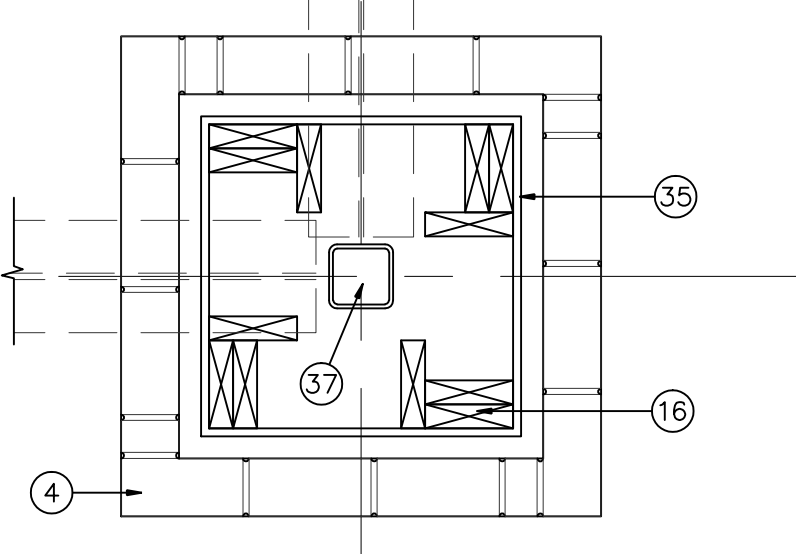
| REVISIONS AND ISSUANCE | | |
|------------------------|------------|-------------|
| NO. | DATE | DESCRIPTION |
| 1 | 08/13/2017 | PRICING |
| 2 | 08/30/2018 | ADDENDUM 1 |

- FLOOR LINE
- STEEL ROD RING 3/4" DIAMETER MINIMUM. PLUG WELD TO RAILS. GRIND WELDS FLUSH.
- MINIMUM CLEARANCE TO PERPENDICULAR OBSTRUCTION = 15".
- BRACKET 3' X 1/4" STEEL PLATE OF SUFFICIENT LENGTH TO PROVIDE 7" STANDOFF FROM CENTERLINE OF RINGS. BEND TO FORM A 2" ANGLE. WELD TO RAIL AND BOLT TO STRUCTURE.
- STEEL BAR RAIL 3/8" X 2". PUNCH FOR RINGS. RAIL, 1 PIECE UNLESS OVER 16 FEET LONG.
- EQUAL RING SPACING, 1'-0" MAXIMUM.

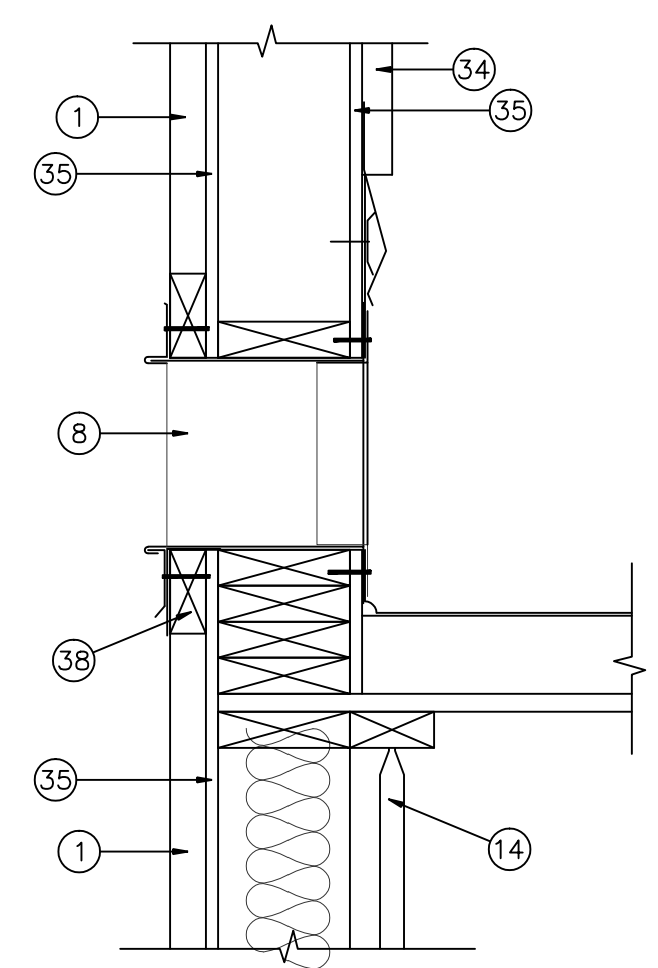
- 1" STUCCO ON STEEL WIRE MESH. PAINTED
- STUCCO BAND
- STANDING SEAM METAL ROOF, by "BERRIDGE"
- BRICK
- LIMESTONE CAP
- GALVANIZED METAL FLASHING
- 10"x8" GALV. METAL DOWNSPOUT, CONNECTED TO UNDERGROUND STORM DRAIN SYSTEM, SEE CIVIL DRAWING.
- 18"x12" OVERFLOW SCUPPER
- 18"x12" ROOF SCUPPER WITH DRAIN BOX
- CROWN MOLDING, PAINTED, SEE DETAIL FOR SIZE
- GALVANIZED METAL CAP, PAINTED COLOR TO MATCH MOLDING
- STRUCTURAL FRAME, PAINTED COLOR TO MATCH STANDING SEAM METAL ROOF
- 3 PLY MODIFIED BITUMEN BUILT UP ROOF ON R=24 RIGID INSULATION ON 5/8" EXTERIOR PLY WOOD DECK (single ply is not acceptable)
- ROOF TRUSS, SEE STRUCTURAL (TRUSS ORIENTATION AS SHOWN MAY VARY)
- 5 1/2" R-19 BATT INSULATION AT ALL EXTERIOR WALLS
- 2X6 WOOD STUDS @ 16" O.C. SEE STRUCTURAL
- BRICK TIES, 22 GA. @ 16" O.C. HORIZONTAL & 32" O.C. VERTICAL.
- WEEP HOLES @ 24" O.C.
- PLASTIC FLASHING (THRU-WALL TYPE)
- 1/2"x12" LG A.B. @ 36" O.C.
- 5/8" GYPSUM BOARD, PAINTED. (USE WATER RESISTANT GYP. BOARD AT PLUMBING WALLS)
- SCHEDULED DOOR
- SCHEDULED WINDOW
- SCHEDULED BASE
- HOLLOW METAL FRAME / DOOR
- STEEL LINTEL, PAINTED COLOR TO MATCH WALL, SIZE SEE STRUCTURAL
- SEALANT AND BACKER ROD
- R" PANEL SIDING, PREFINISHED
- CONTINUOUS CAULK
- SOFFIT
- CONTINUOUS SOFFIT VENT
- W/P MEMBRANE OVER PLYWOOD SHEATHING ON STUDS, SEE BRACING NOTES ON STRUCTURAL DRAWING
- 1/2" EXTERIOR PLYWOOD OR O.S.B. SHEATHING COVERED "TYVEK" STUCCO WARP
- 3 PLY MODIFIED BITUMEN BUILT UP ROOF ON 1" RIGID INSULATION ON 5/8" EXTERIOR PLY WOOD DECK (single ply is not acceptable)
- STEEL BEAM, SEE STRUCTURAL
- 2x TREATED WOOD BLOCK CONTINUOUS
- STONE



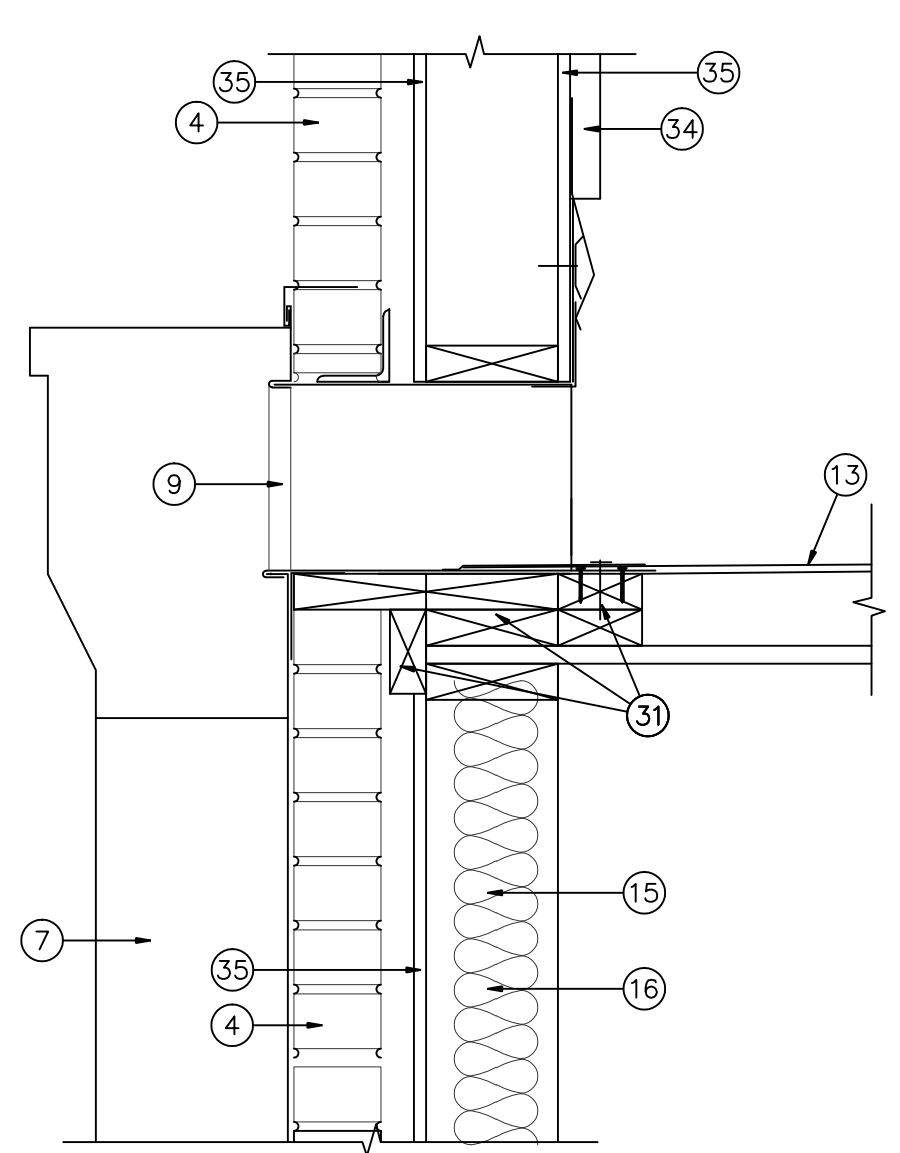
01 COLUMN PLAN
SCALE: 1/2"=1'-0"



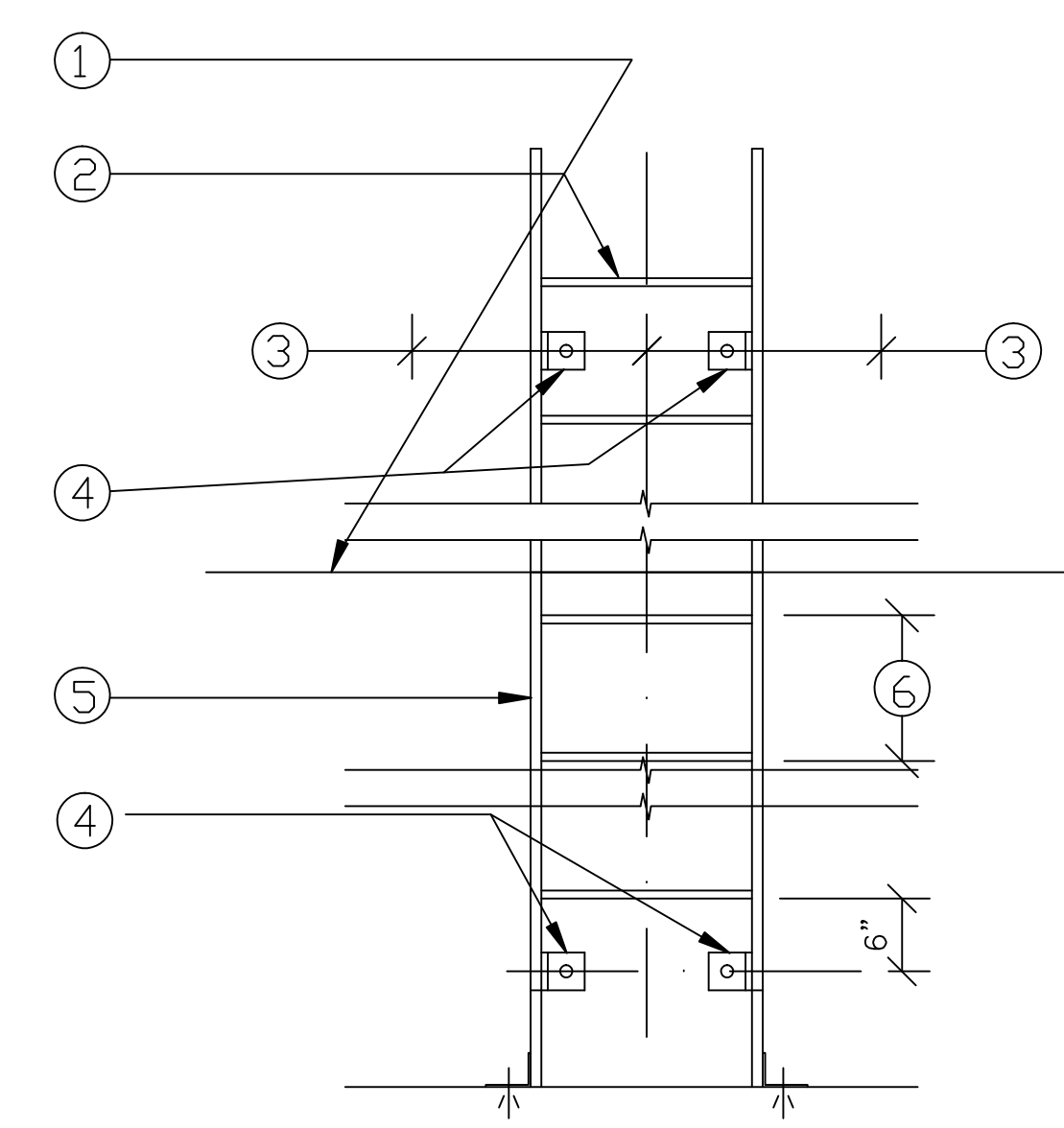
02 COLUMN PLAN
SCALE: 1/2"=1'-0"



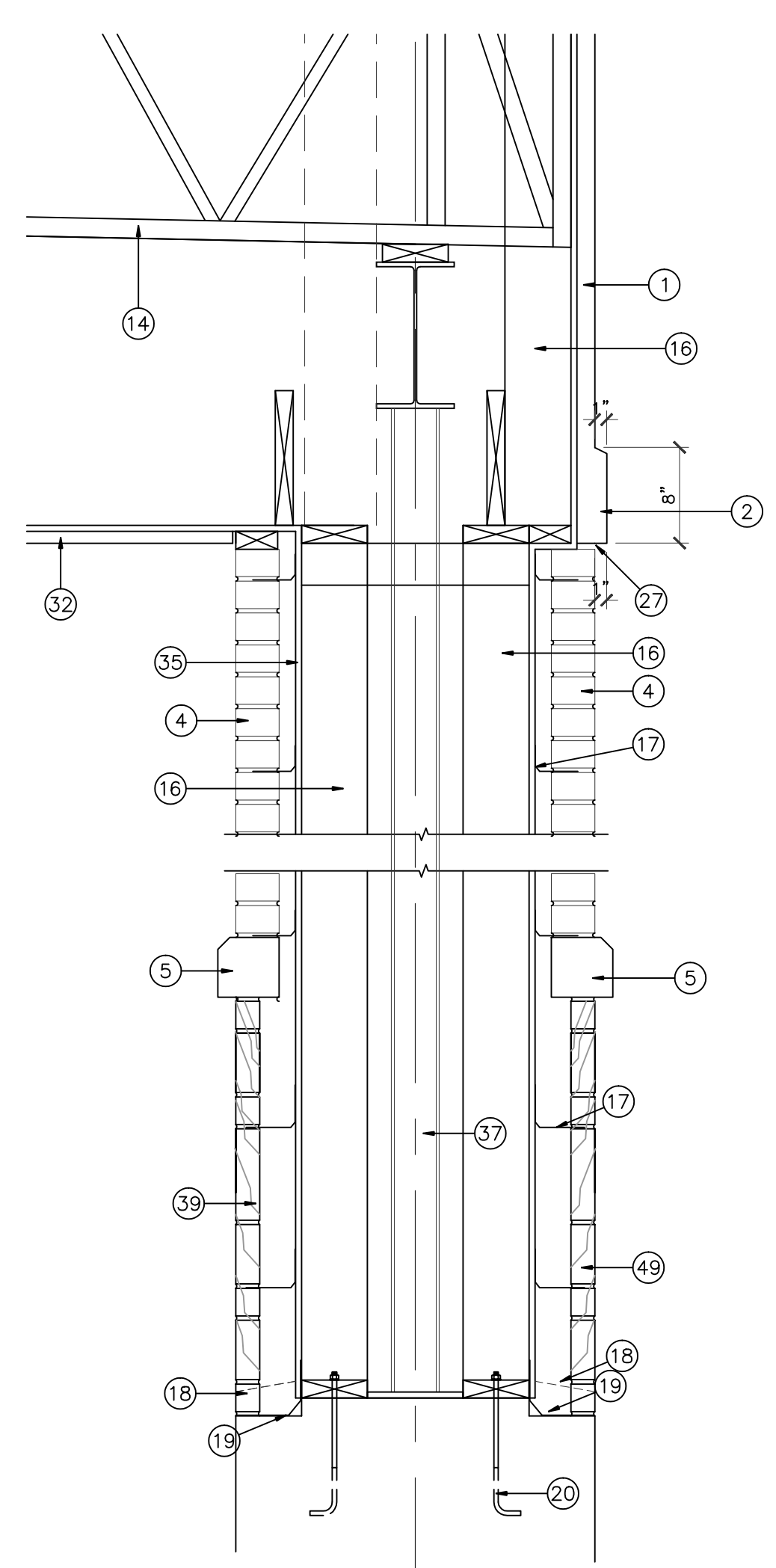
03 DETAIL
SCALE: 1 1/2"=1'-0"



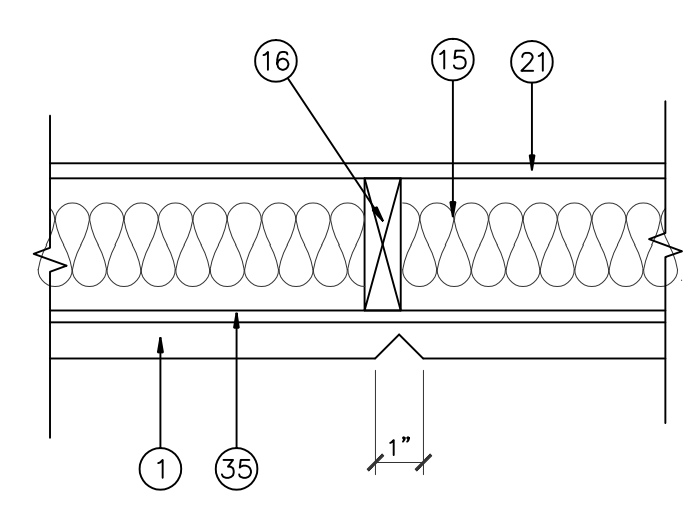
04 DETAIL
SCALE: 1 1/2"=1'-0"



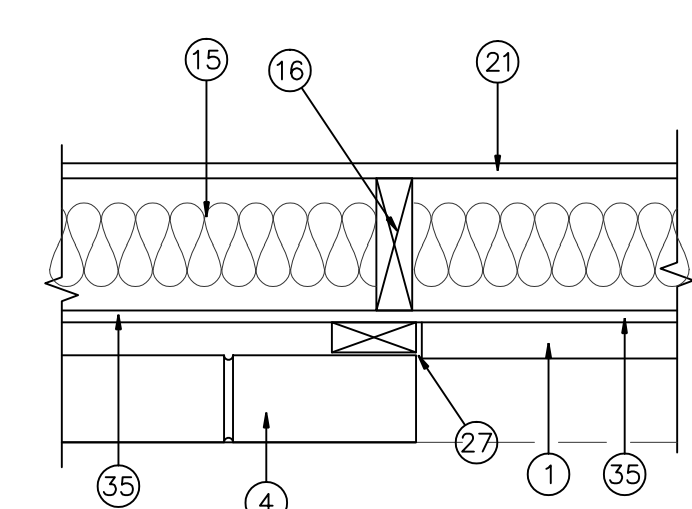
05 ROOF LADDER DETAIL
SCALE: 1/2"=1'-0"



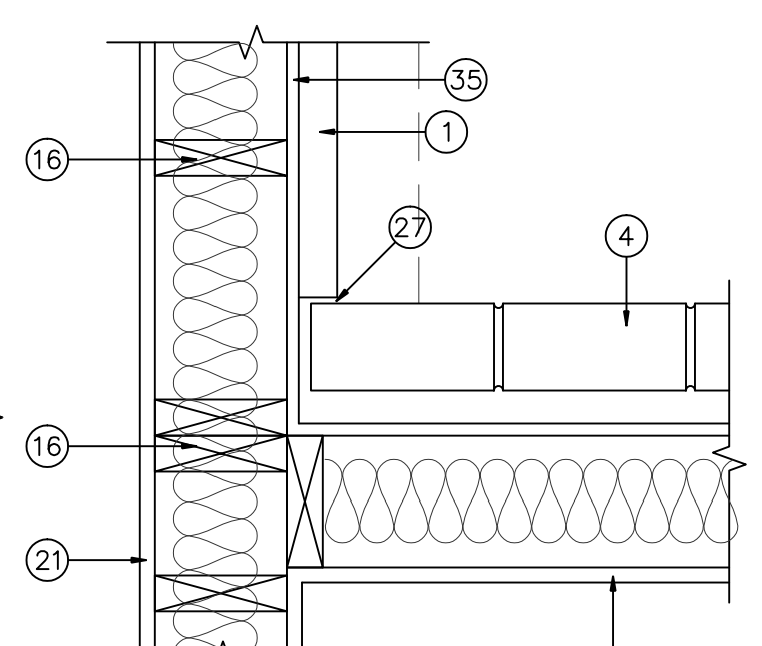
06 COLUMN SECTION
SCALE: 1/2"=1'-0"



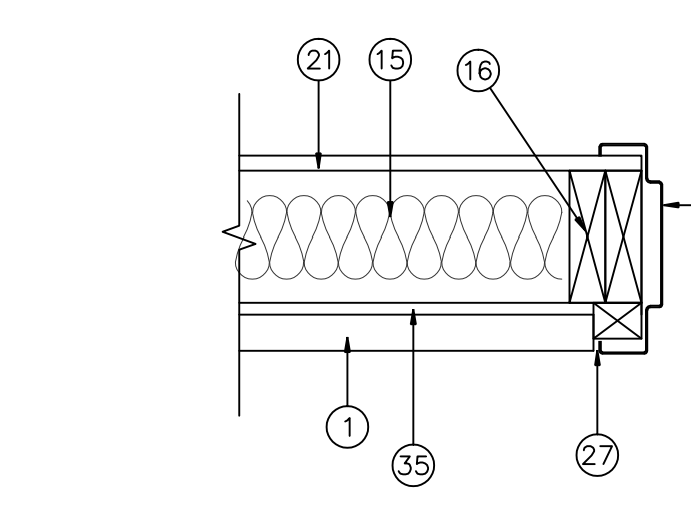
07 DETAIL
SCALE: 1 1/2"=1'-0"



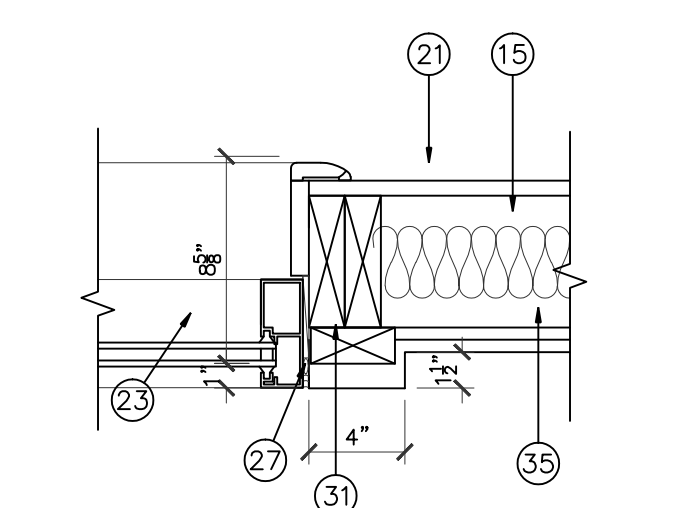
08 DETAIL
SCALE: 1 1/2"=1'-0"



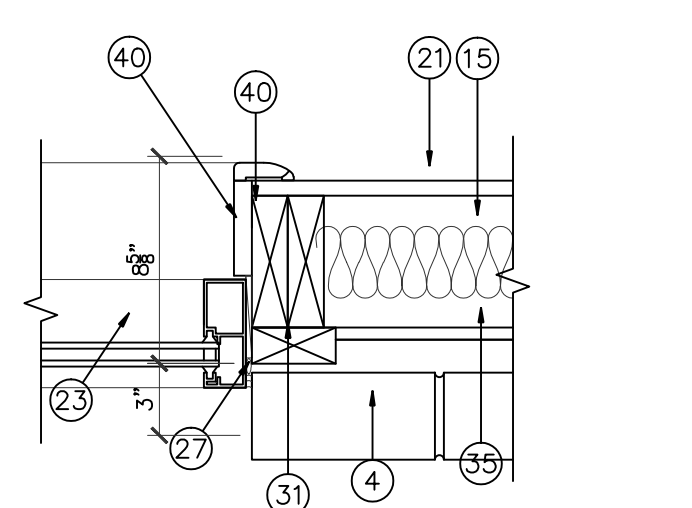
09 DETAIL
SCALE: 1 1/2"=1'-0"



10 DETAIL
SCALE: 1 1/2"=1'-0"



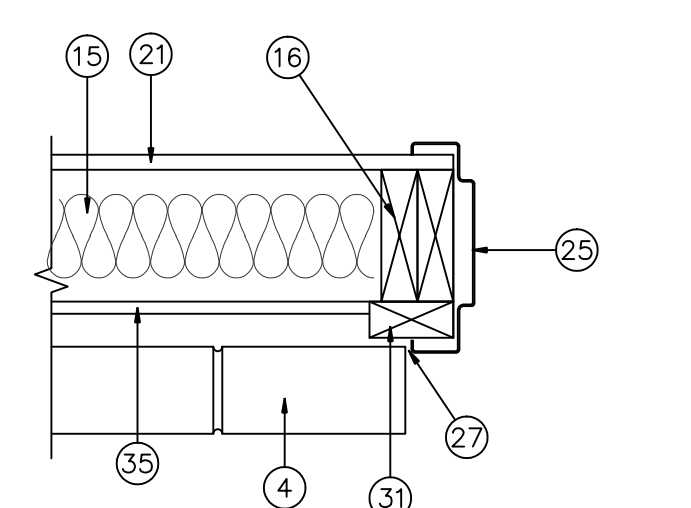
11 DETAIL
SCALE: 1 1/2"=1'-0"



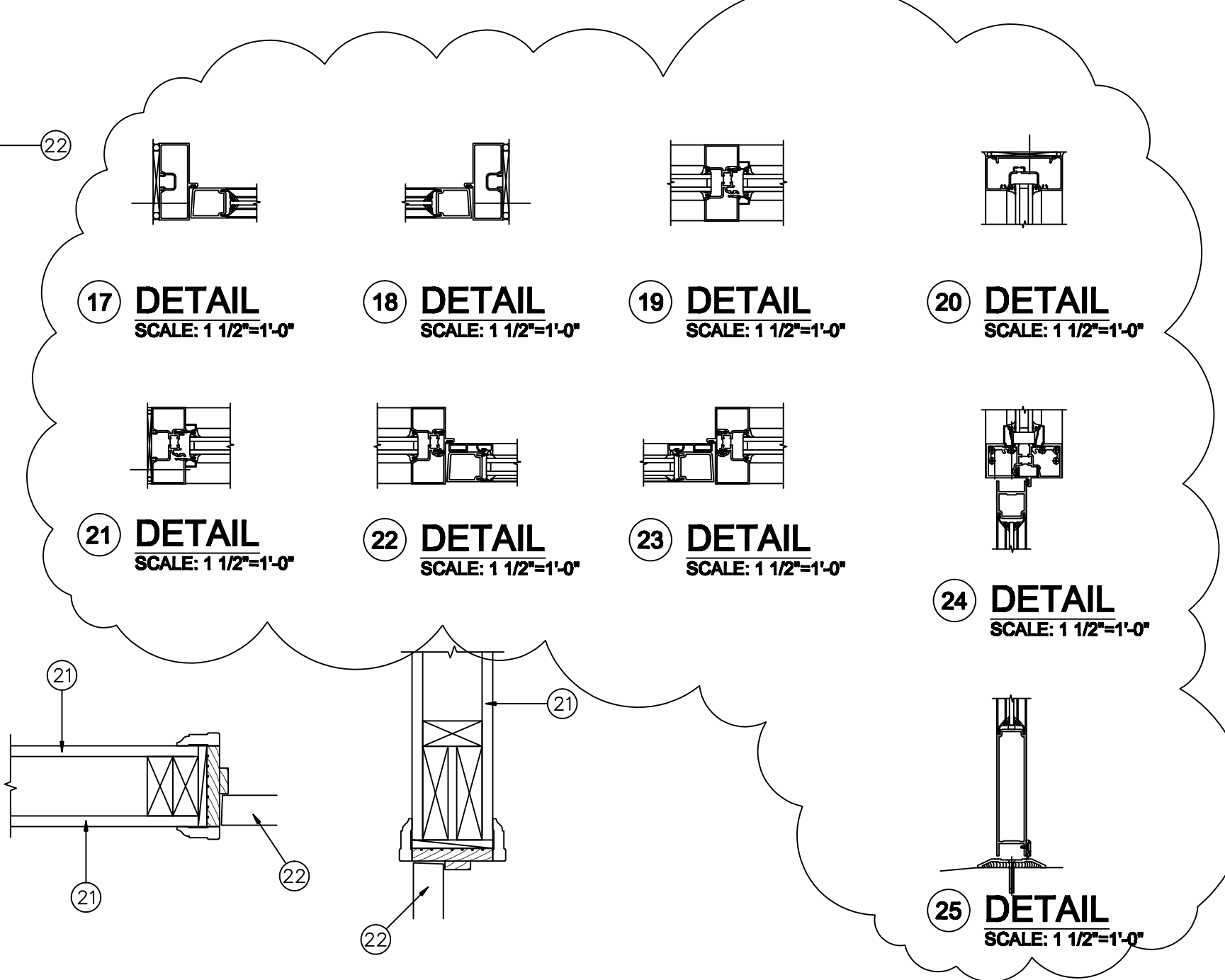
12 DETAIL
SCALE: 1 1/2"=1'-0"



13 DETAIL
SCALE: 1 1/2"=1'-0"



14 DETAIL
SCALE: 1 1/2"=1'-0"



15 INTERIOR DOOR JAMB- DETAIL
SCALE: 1 1/2"=1'-0"

16 INTERIOR DOOR HEADER- DETAIL
SCALE: 1 1/2"=1'-0"

IVY KIDS EARLY LEARNING CENTER
 4434 CR 94
 Manvel, Tx 77578



| | |
|----------------|------------|
| DRAWING TITLE | |
| DETAILS | |
| DRAWN BY | CHECKED BY |
| DATE | JOB NO. |
| DRAWING NO. | |

A-5.3