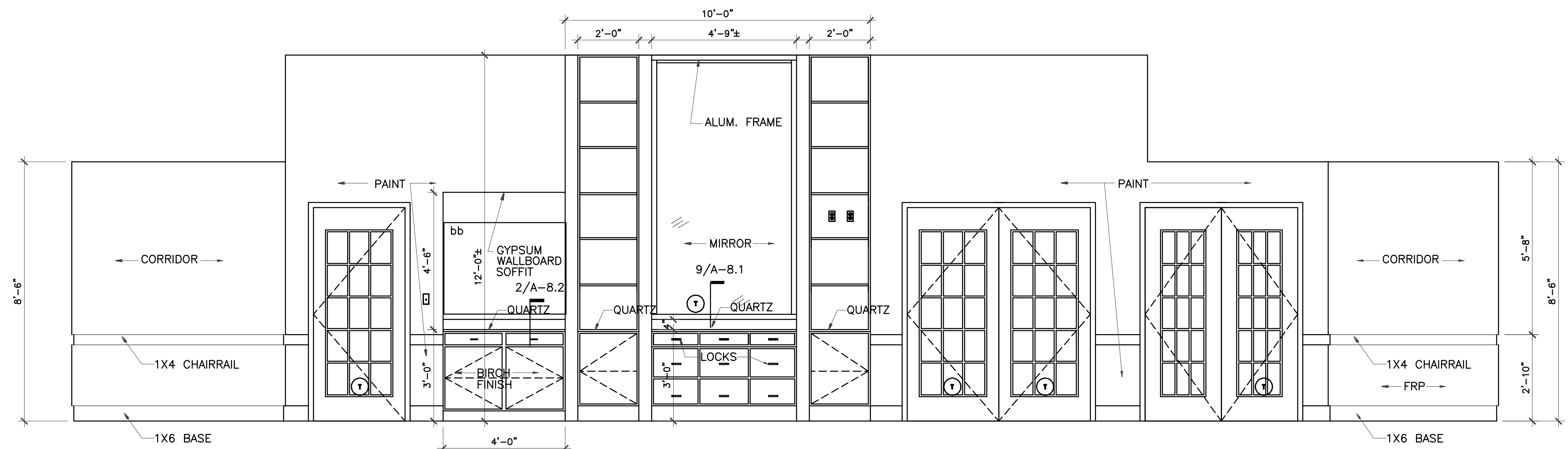


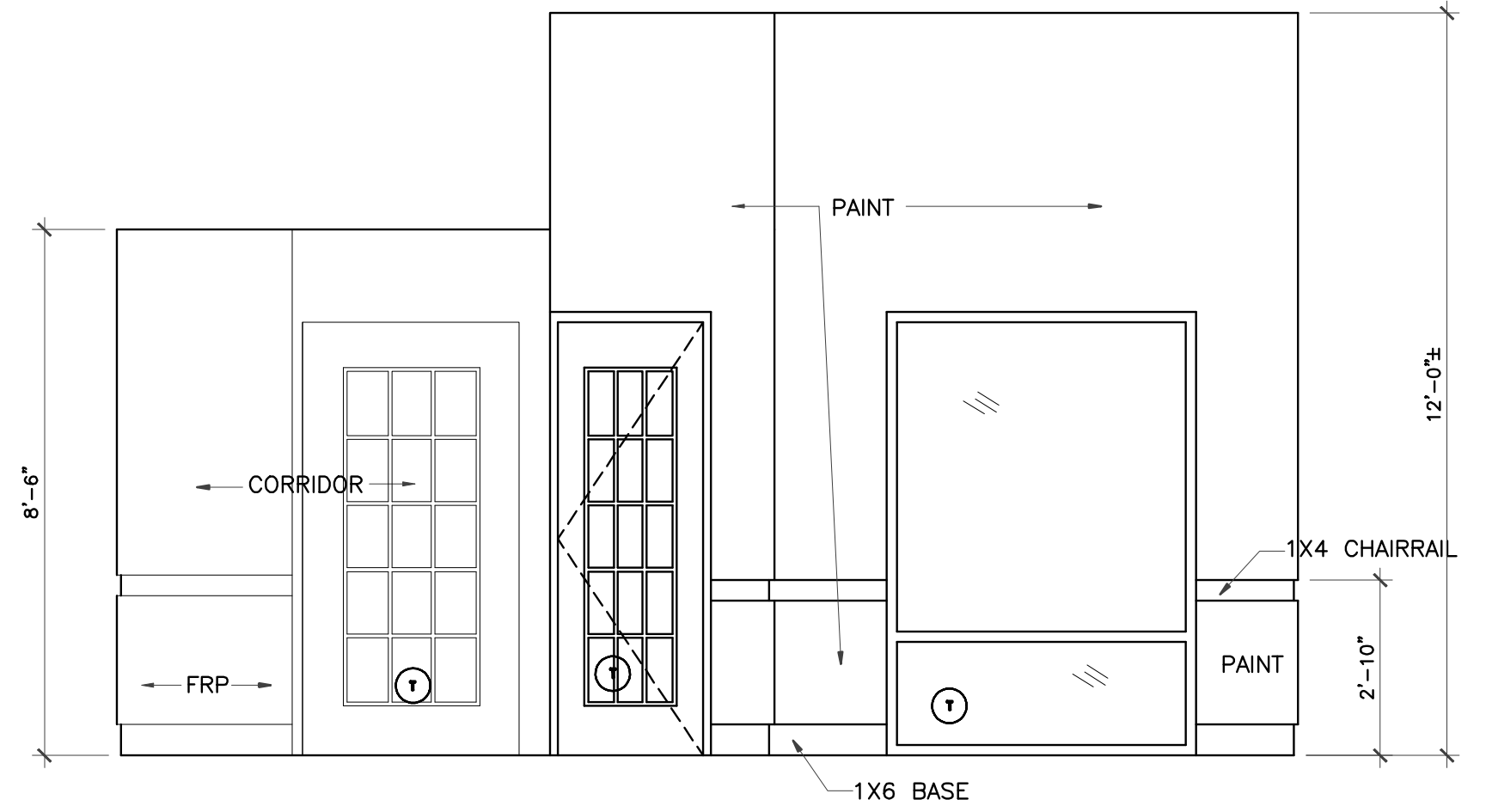
REVISIONS AND ISSUANCE		
NO.	DATE	DESCRIPTION
1	08/13/2017	PRICING



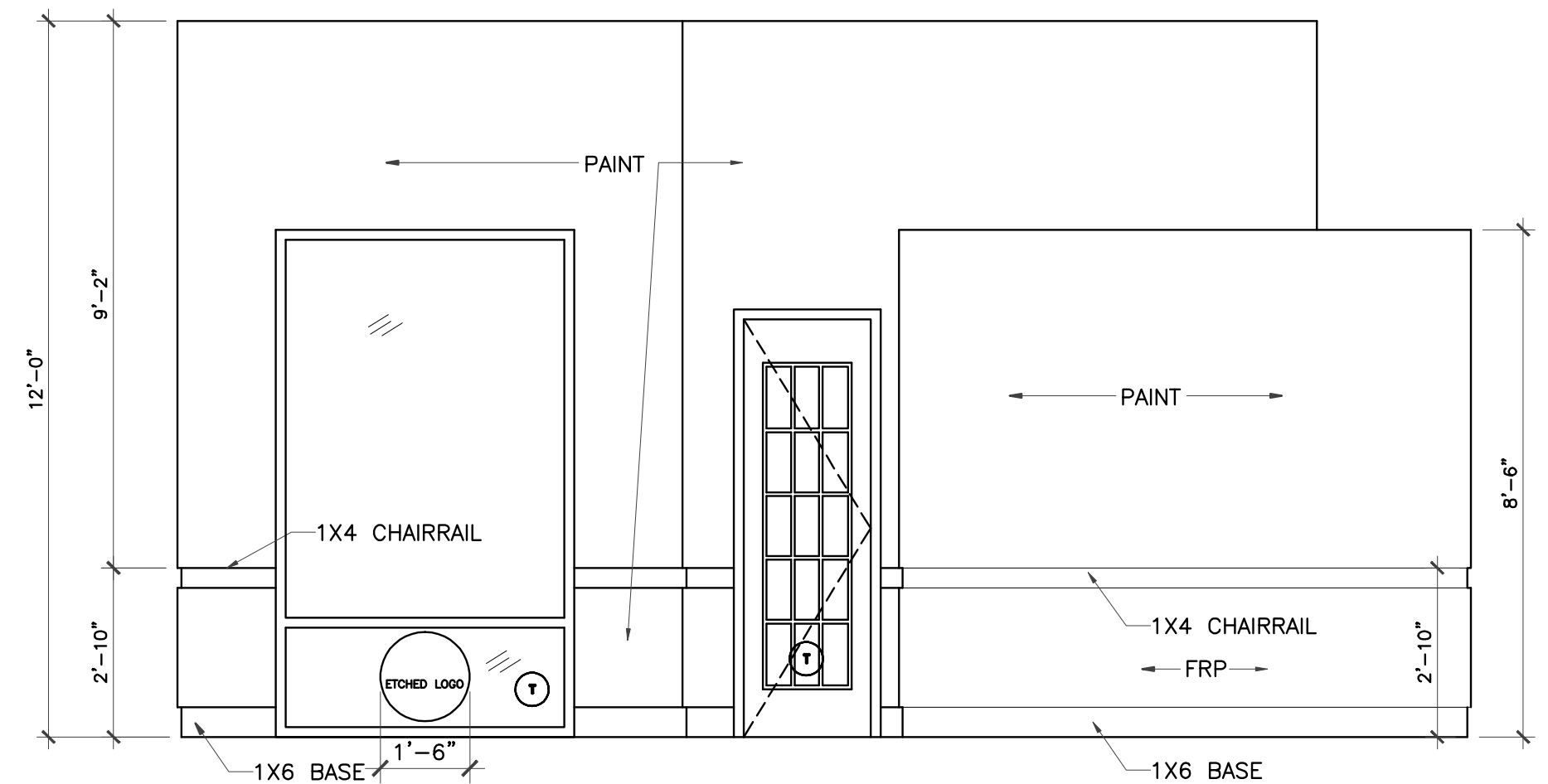
1 LOBBY ELEVATION
3/8" = 1'-0"

ALL MIRROR OF THIS PROJECT SHALL HAVE TYPE 430 STAINLESS STEEL FRAME

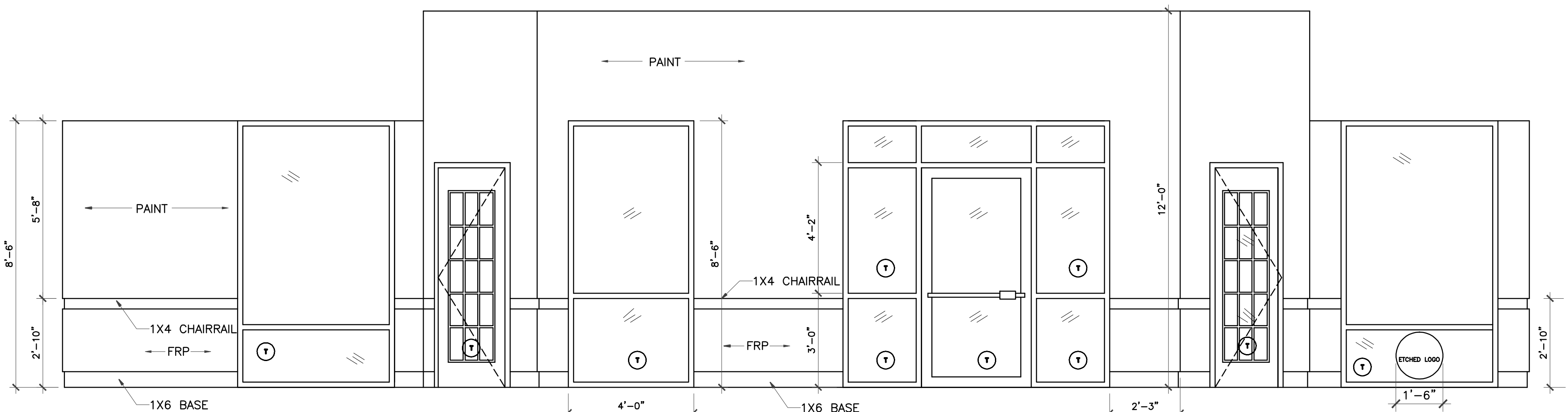
LEGEND
bb Bulletin Board



2 LOBBY ELEVATION
3/8" = 1'-0"

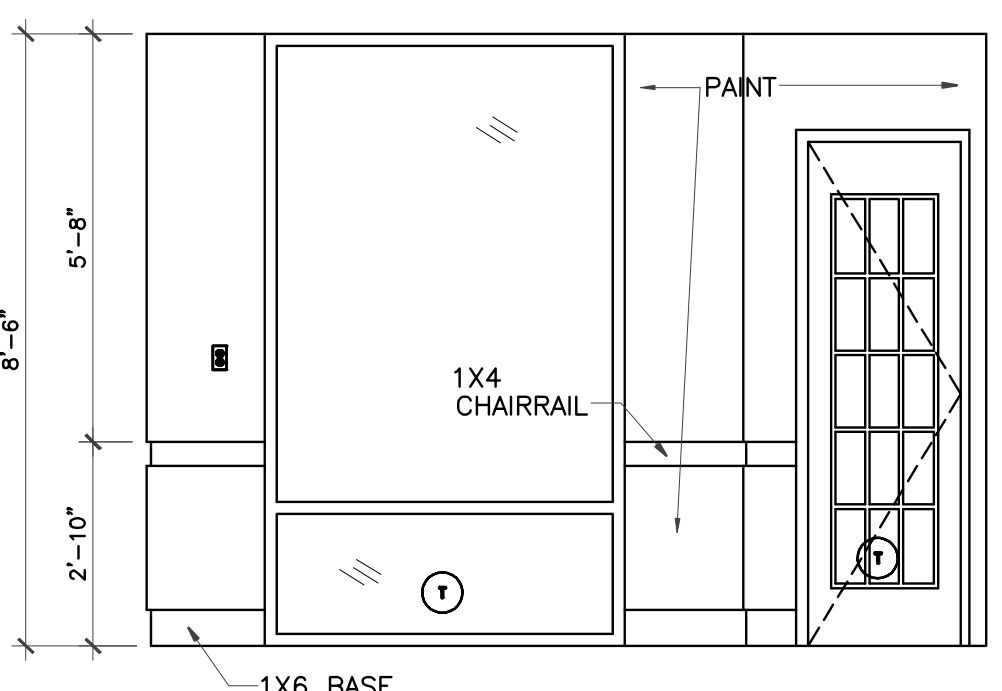


3 LOBBY ELEVATION
3/8" = 1'-0"

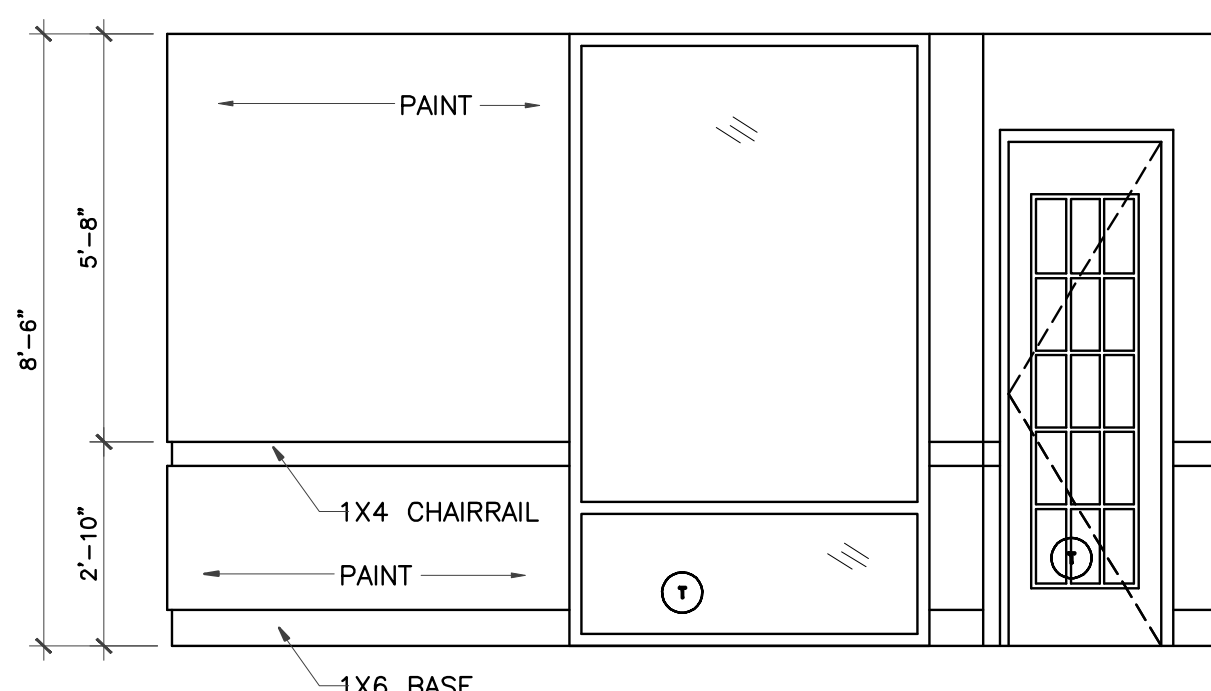


4 LOBBY ELEVATION
3/8" = 1'-0"

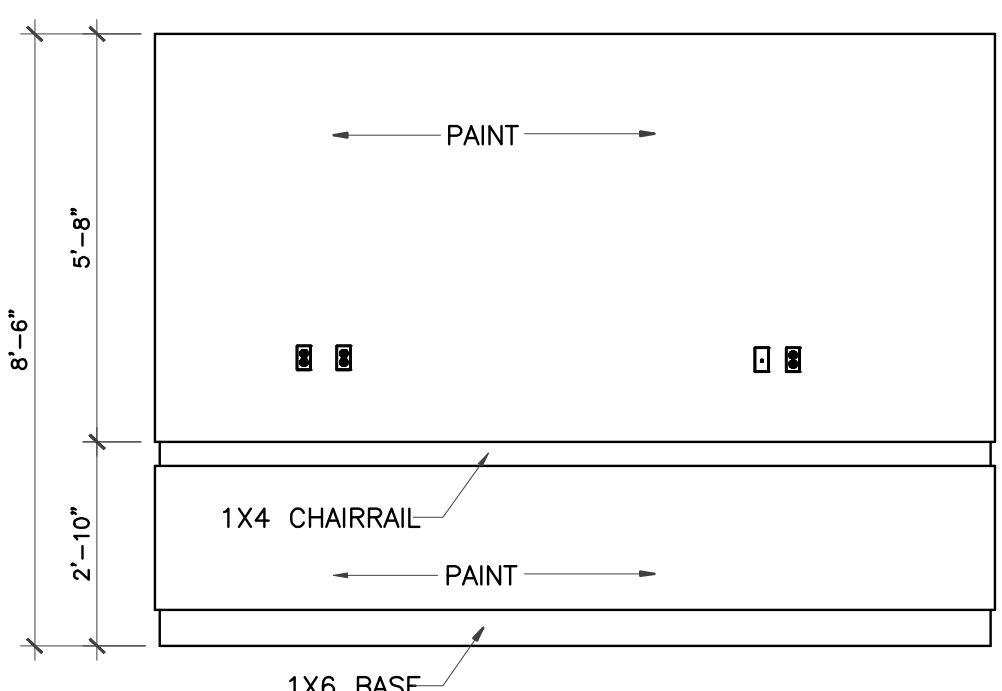
• PROVIDE 2.250 TOTAL L/F OF STAIN GRADE CHAIR RAIL & BASE THROUGHOUT INSTEAD OF PAINT GRADE



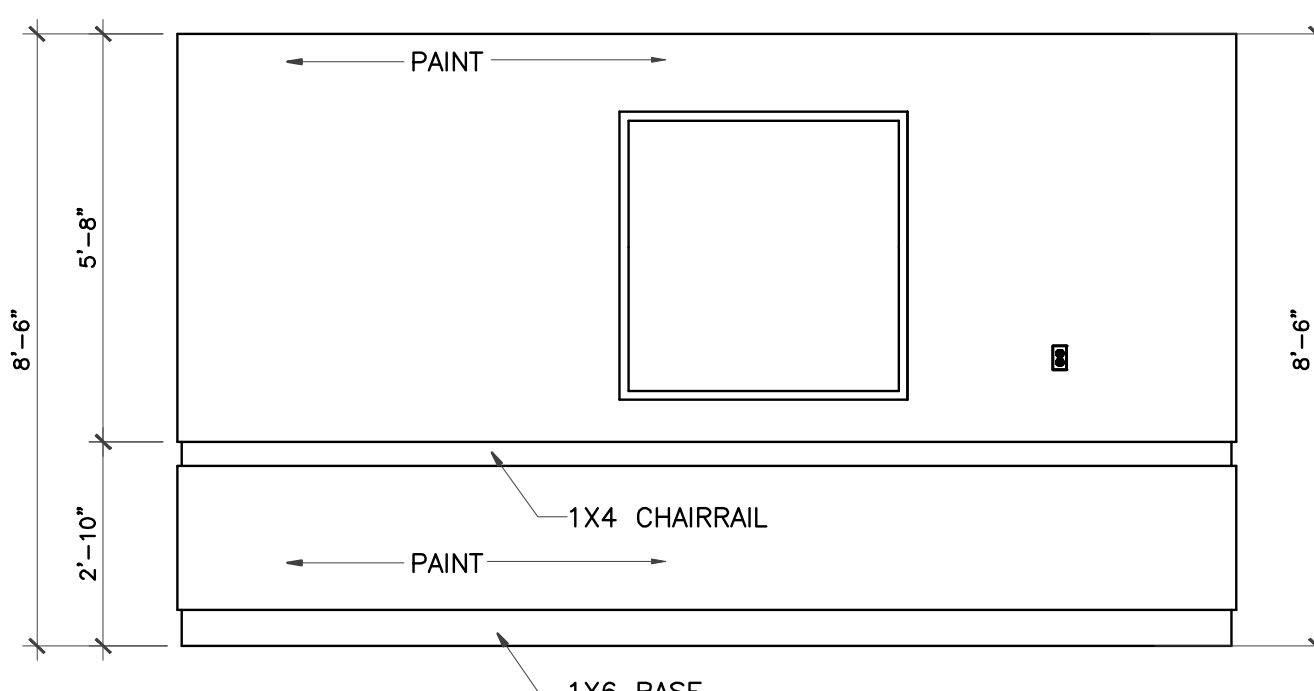
5 OFFICE ELEVATION
3/8" = 1'-0"



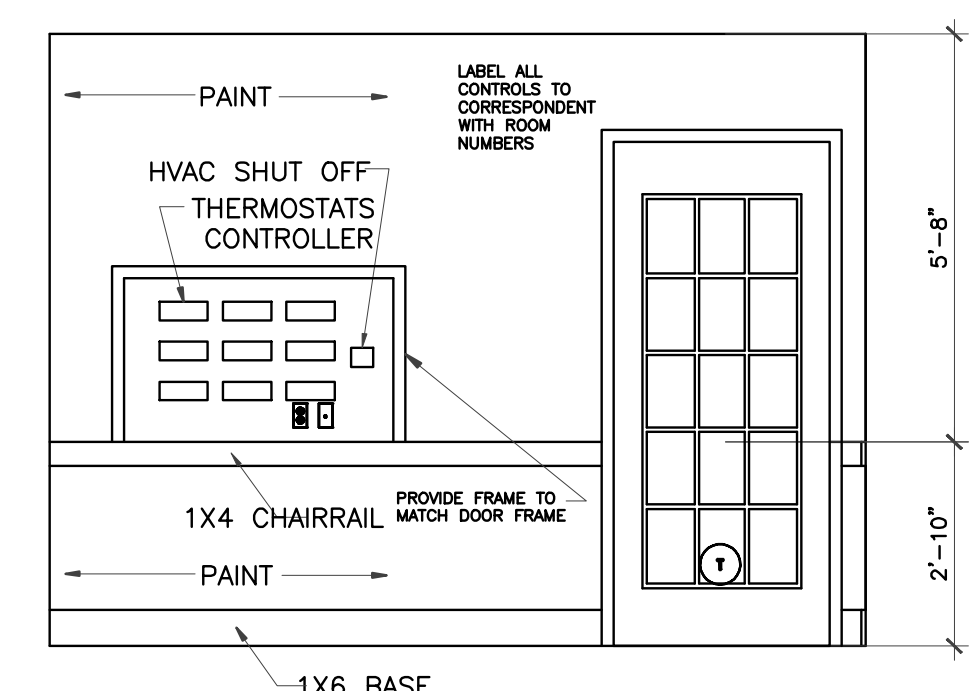
6 OFFICE ELEVATION
3/8" = 1'-0"



7 OFFICE ELEVATION
3/8" = 1'-0"



8 OFFICE ELEVATION
3/8" = 1'-0"



9 DIRECTOR'S OFFICE ELEVATION
3/8" = 1'-0"

IVY KIDS EARLY LEARNING CENTER
4434 CR 94
Manvel, Tx 77578



DRAWING TITLE	
INTERIOR ELEVATIONS	
DRAWN BY	CHECKED BY
DATE	JOB NO.
DRAWING NO.	

A-6.5