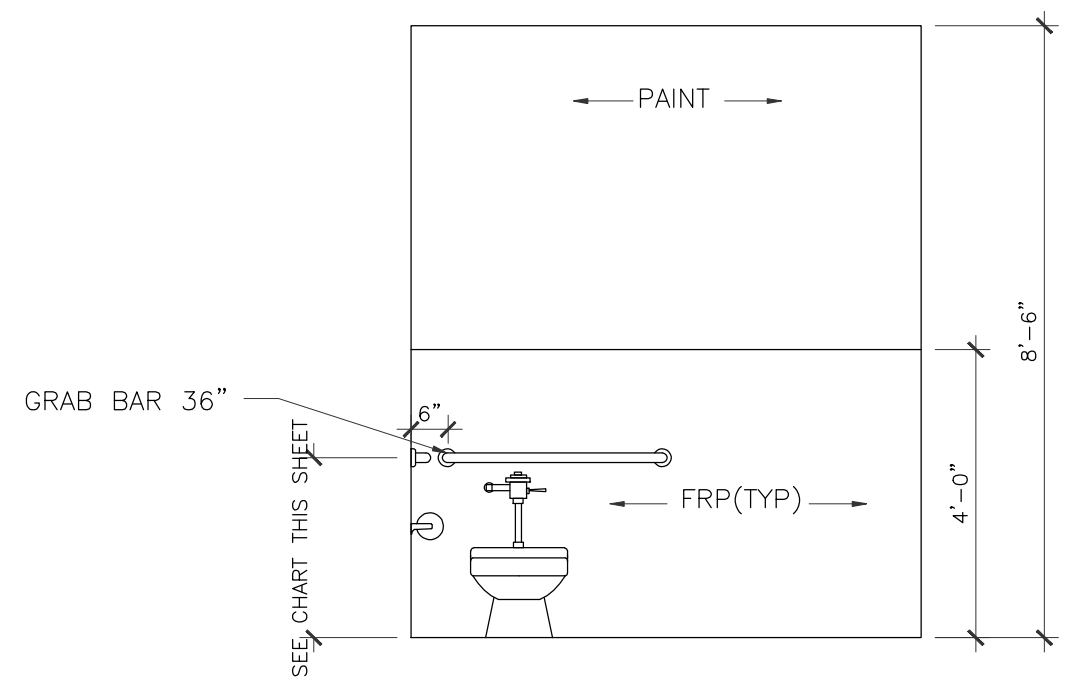
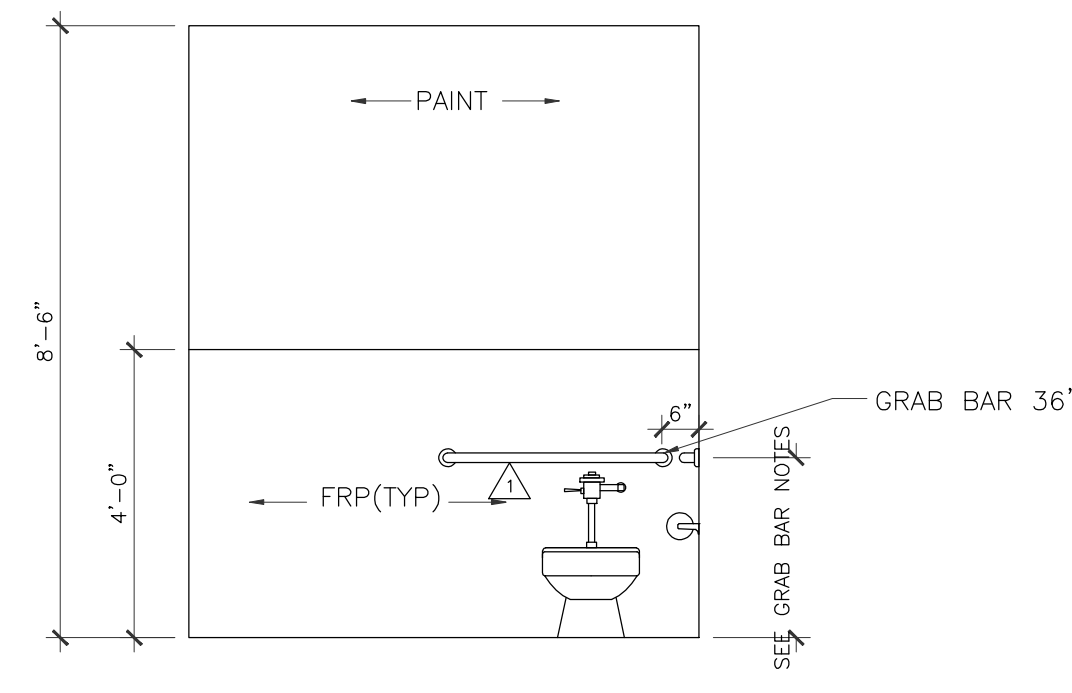


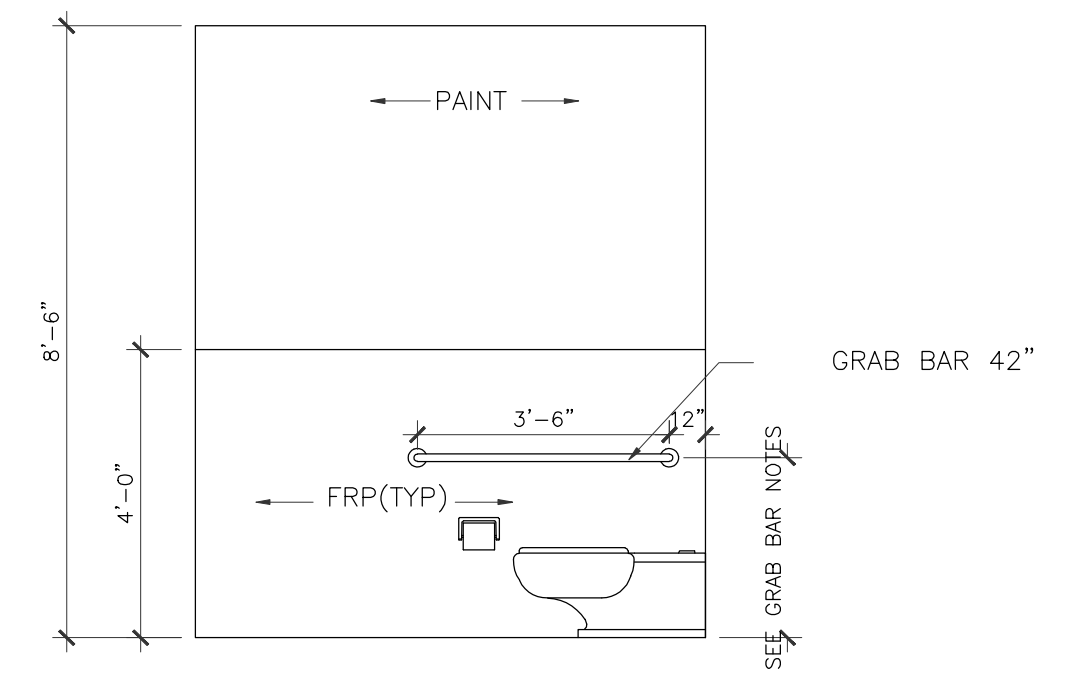
REVISIONS AND ISSUANCE		
NO.	DATE	DESCRIPTION
1	08/13/2017	PRICING



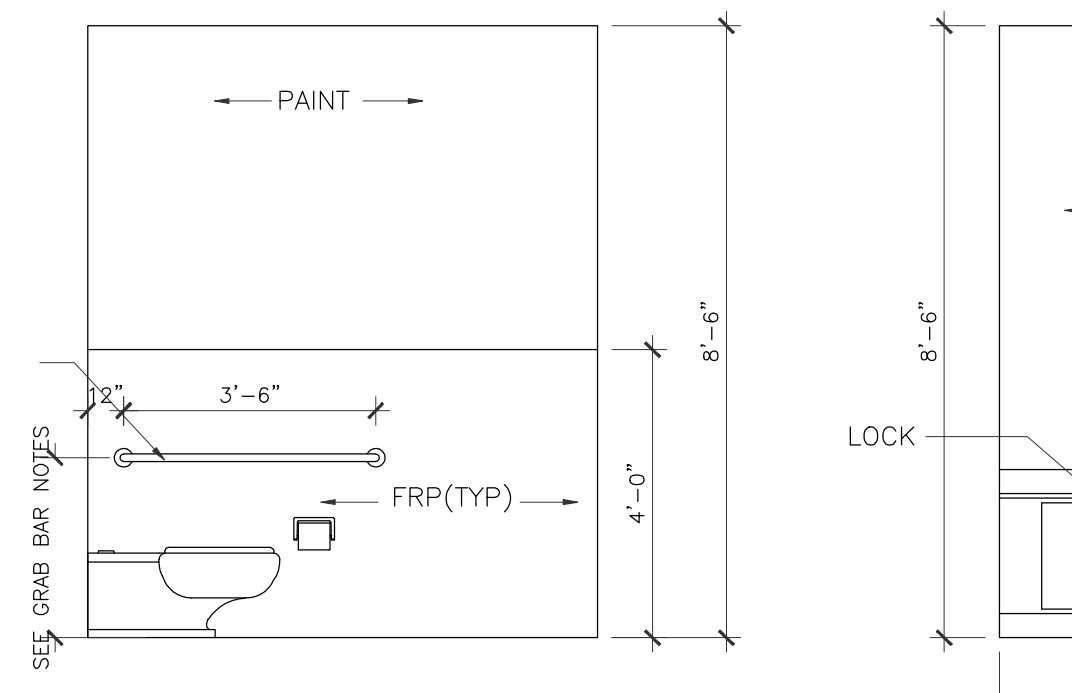
**1 GIRLS' RESTROOM ELEVATION**  
 3/8" = 1'-0"  
 CLASSROOM #300 CLASSROOM #450  
 CLASSROOM #350 CLASSROOM #500  
 CLASSROOM #400 CLASSROOM #550



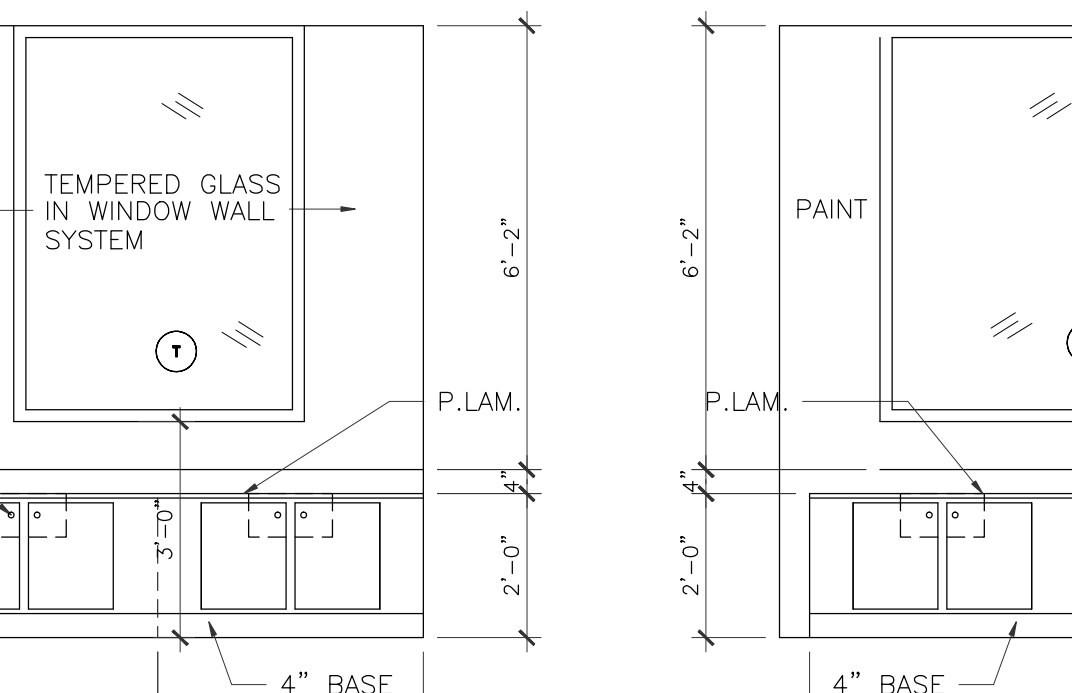
**2 BOYS' RESTROOM ELEVATION**  
 3/8" = 1'-0"  
 CLASSROOM #300 CLASSROOM #450  
 CLASSROOM #350 CLASSROOM #500  
 CLASSROOM #400 CLASSROOM #550



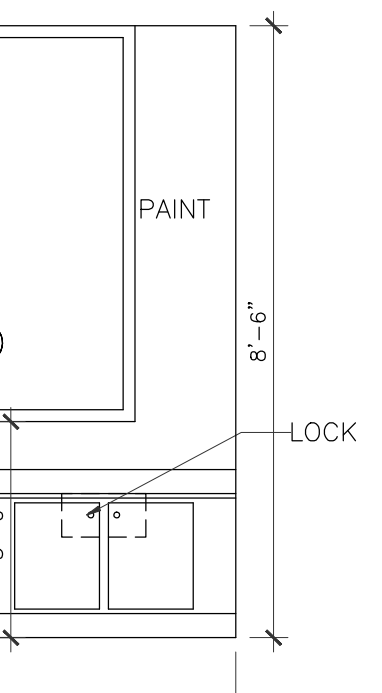
**3 GIRLS' RESTROOM ELEVATION**  
 3/8" = 1'-0"  
 CLASSROOM #300 CLASSROOM #450  
 CLASSROOM #350 CLASSROOM #500  
 CLASSROOM #400 CLASSROOM #550



**4 BOYS' RESTROOM ELEVATION**  
 3/8" = 1'-0"  
 CLASSROOM #300 CLASSROOM #450  
 CLASSROOM #350 CLASSROOM #500  
 CLASSROOM #400 CLASSROOM #550

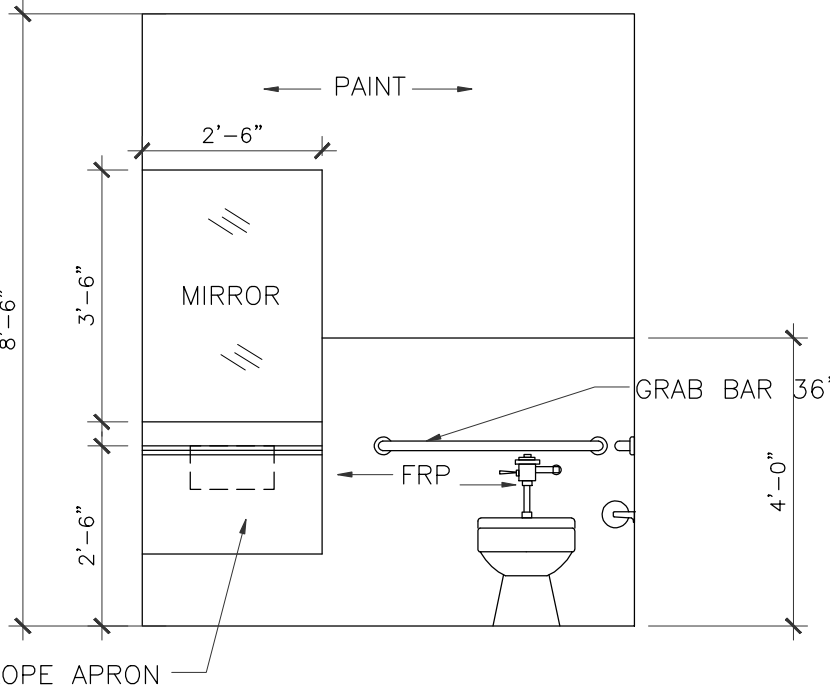


**5a RESTROOM ELEVATION**  
 3/8" = 1'-0"  
 CLASSROOM #250

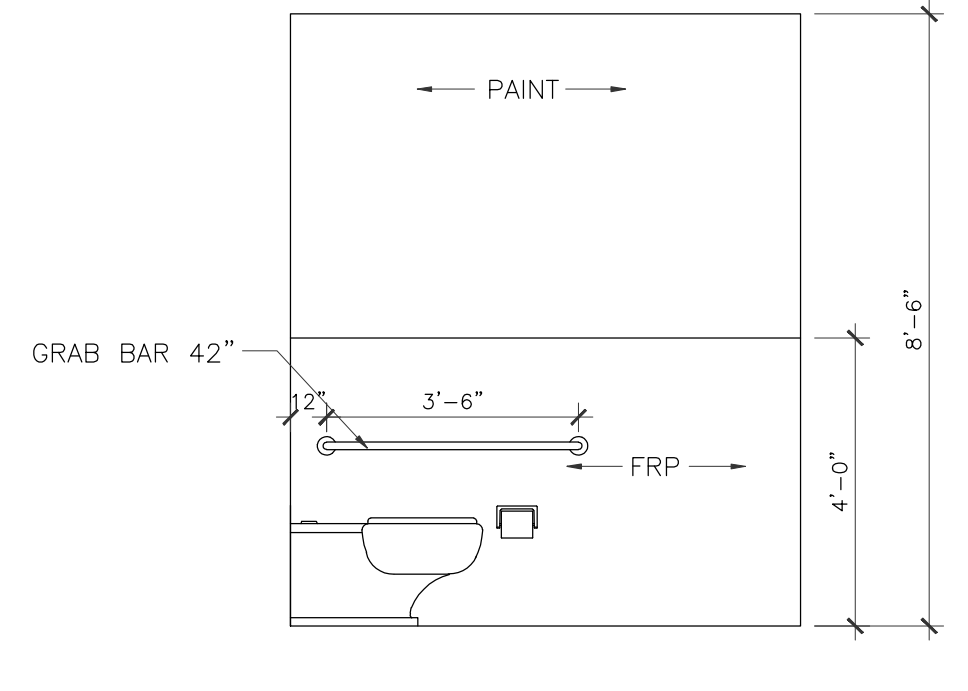


**5b RESTROOM ELEVATION**  
 3/8" = 1'-0"  
 CLASSROOM #200

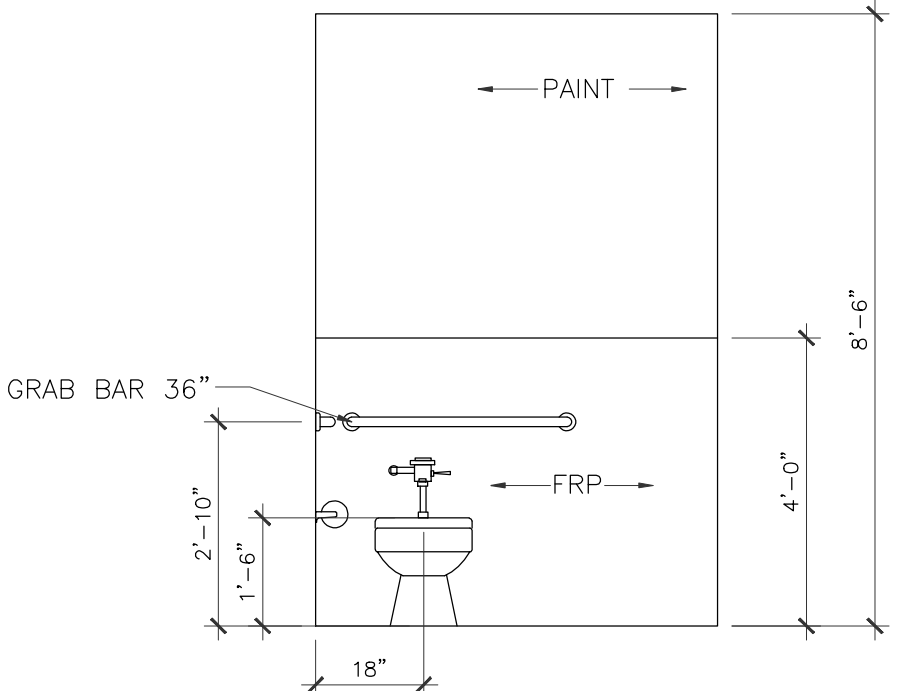
PROVIDE REIN. IN WALL FOR RAILING OR RESTROOM ACCESSORIES SUPPORTS. DO NOT INSTALL RAILING OR TOILET ACCESSORIES UNTIL ADA INSPECTOR MARK THE HEIGHT AT SITE.



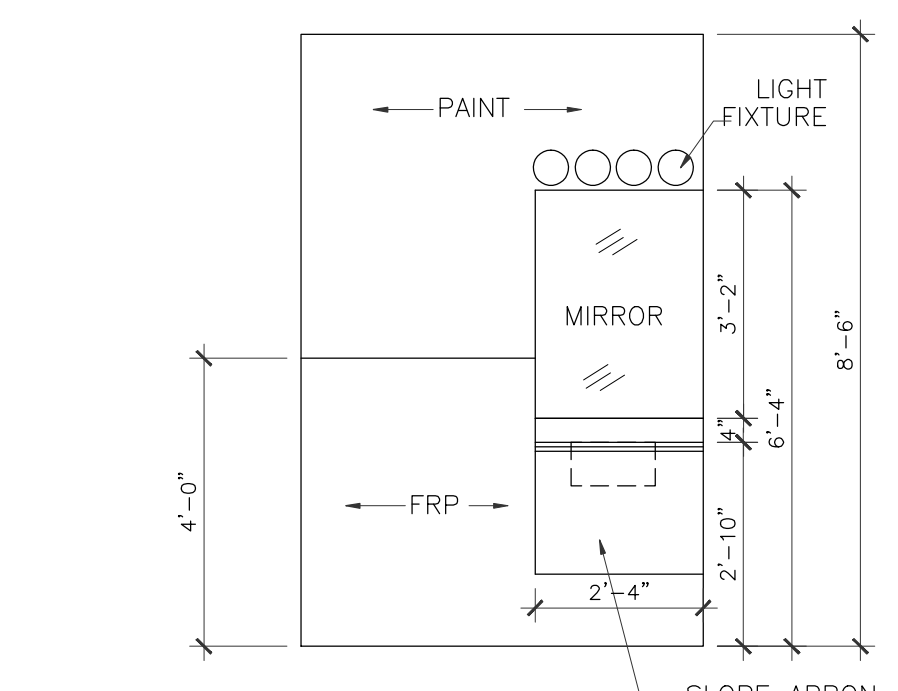
**6 RESTROOM ELEVATION @ ACTIVITY**  
 3/8" = 1'-0"



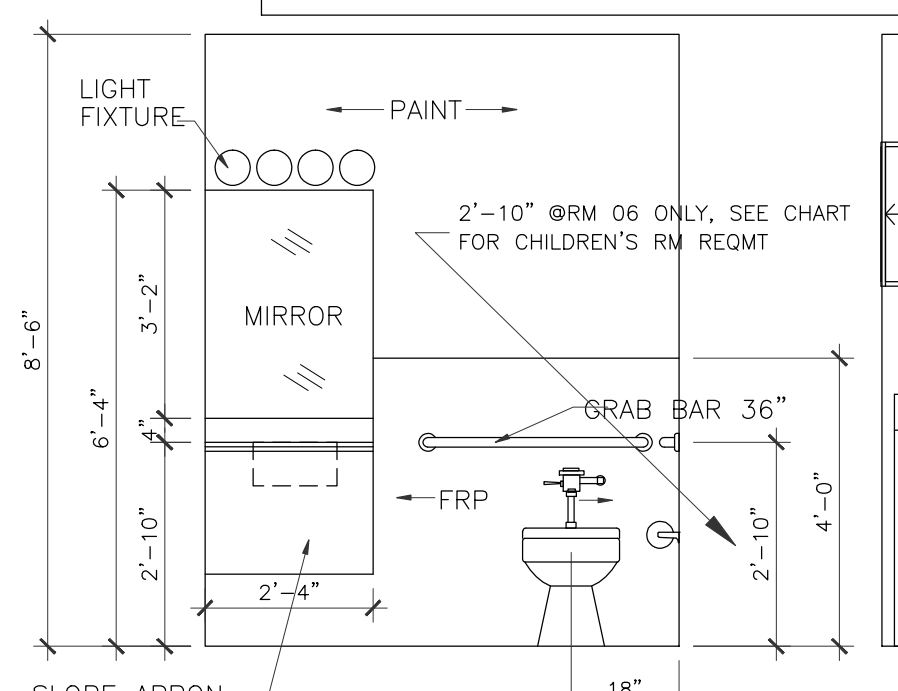
**7 RESTROOM ELEVATION @ ACTIVITY**  
 3/8" = 1'-0"



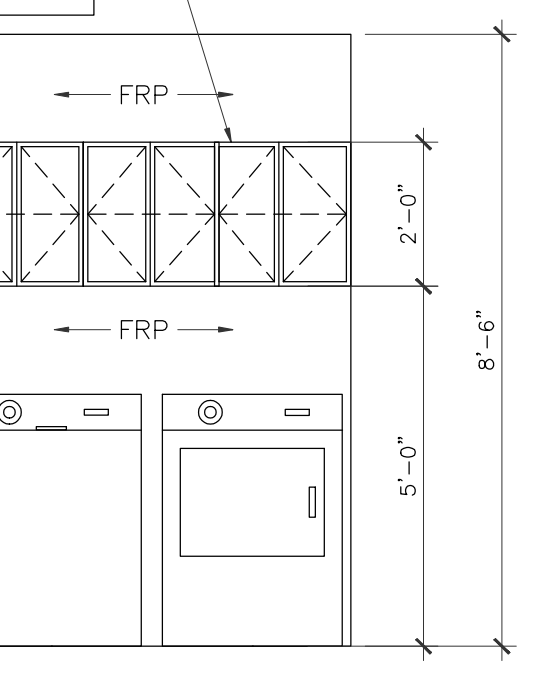
**8 RESTROOM ELEVATION @ LUNCH**  
 3/8" = 1'-0"



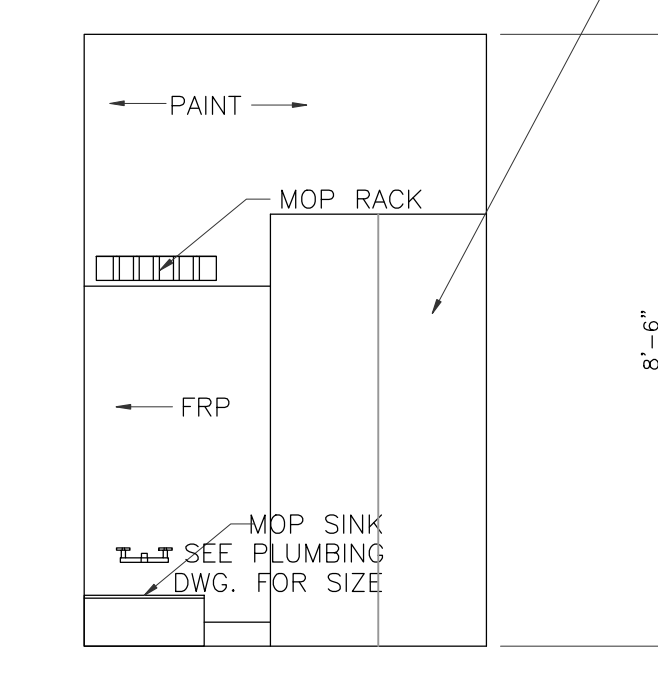
**9 RESTROOM ELEVATION @ LUNCH**  
 3/8" = 1'-0"



**10 RESTROOM ELEVATION**  
 3/8" = 1'-0"



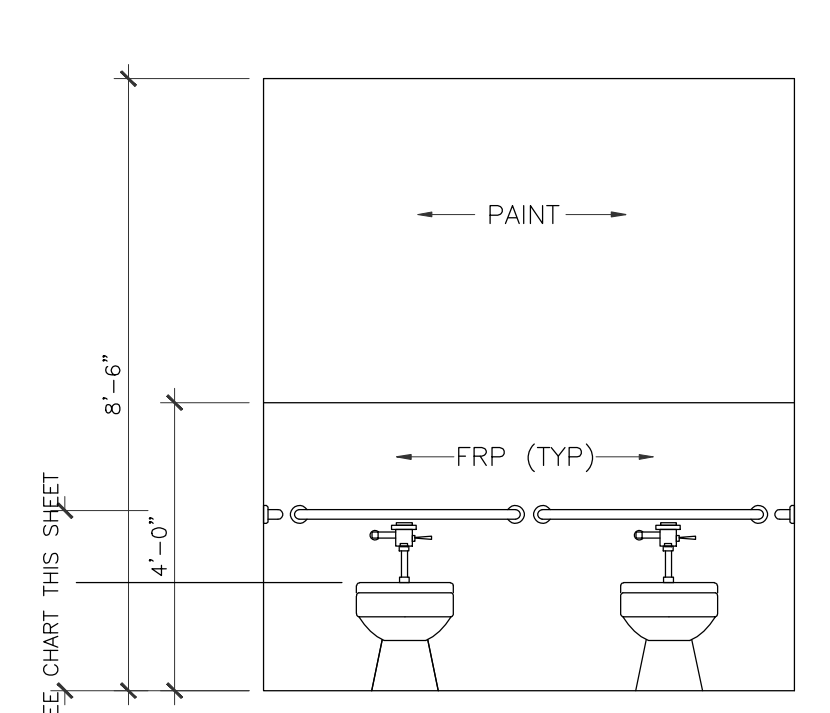
**11 UTILITY ELEVATION**  
 3/8" = 1'-0"



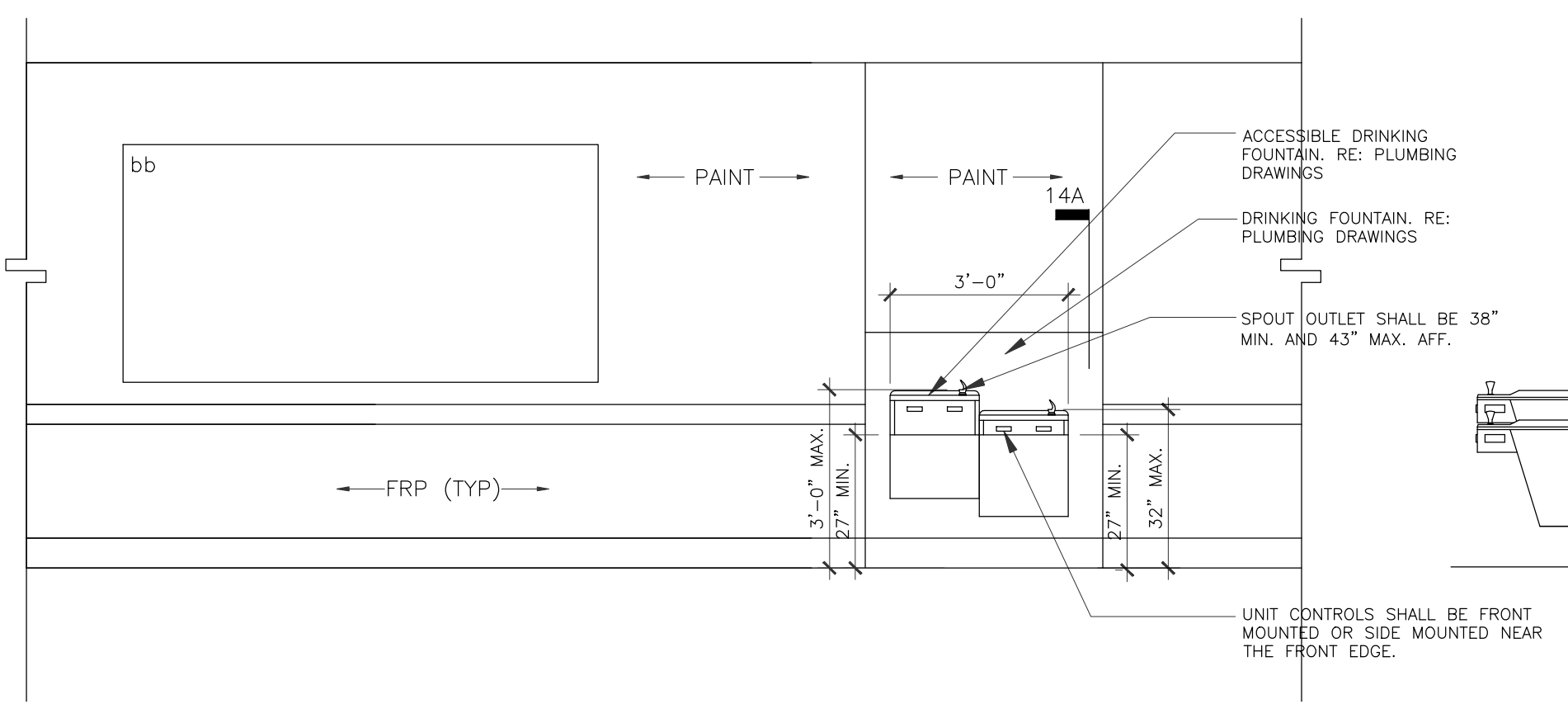
**12 UTILITY ELEVATION**  
 3/8" = 1'-0"

**LEGEND**

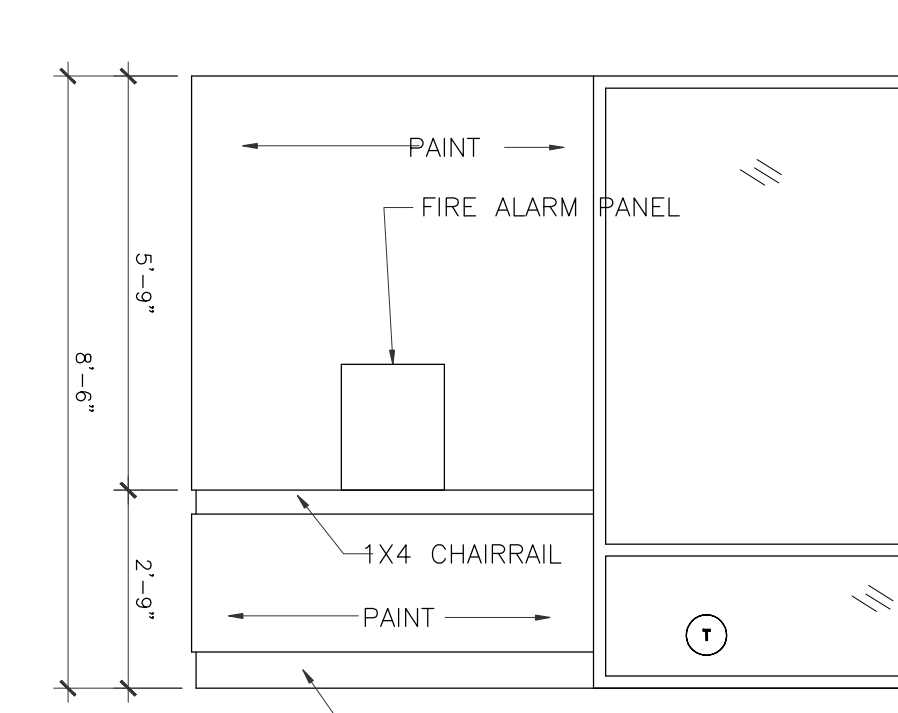
bb Bulletin Board



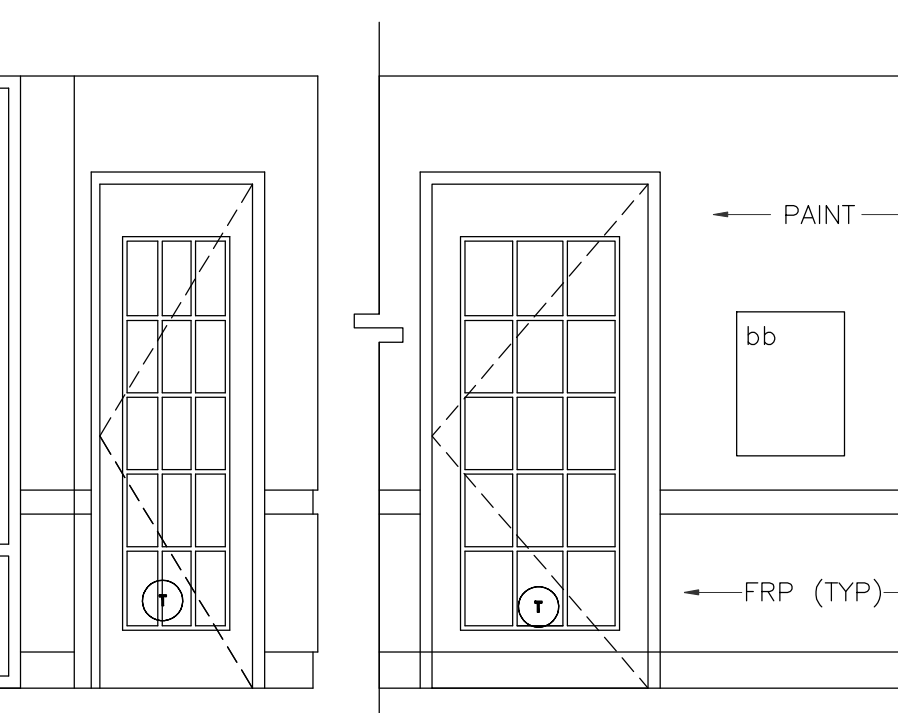
**13 RESTROOM ELEVATION**  
 3/8" = 1'-0"  
 CLASSROOM #200  
 CLASSROOM #250



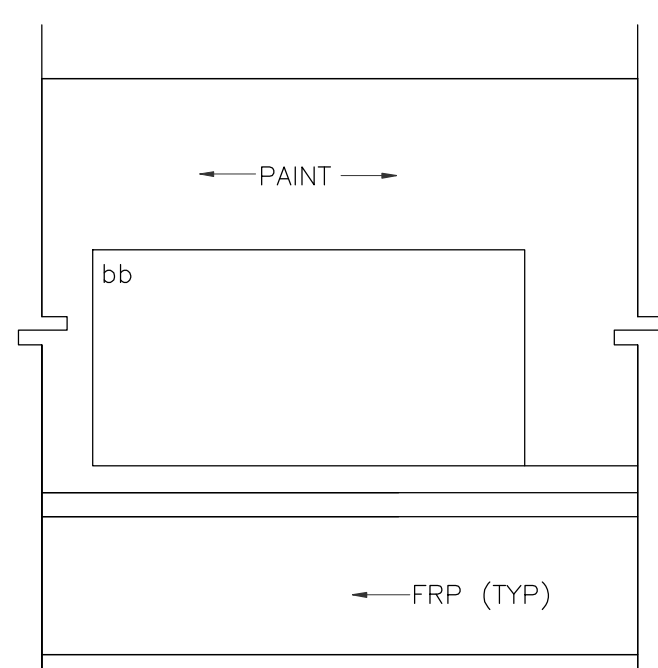
**14 DRINKING FOUNTAIN**  
 3/8" = 1'-0"



**15 FIRE ALARM WALL**  
 3/8" = 1'-0"



**16 WALL ELEVATION**  
 3/8" = 1'-0"



**17 WALL ELEVATION**  
 3/8" = 1'-0"

- NOTES:**
- FRP WILL BE IN ALL RESTROOMS AT 48" HIGH WITH PAINTED GYP. BD. ABOVE
  - WATER CLOSET HEIGHT IN CLASSROOM #500, AND ACTIVITY ROOM IS 15" PER ADA REQUIREMENTS.
  - WATER CLOSET HEIGHT IN LUNCH ROOM IS 18" PER ADA REQUIREMENTS.
  - WATER CLOSET HEIGHT IN CLASSROOM #200 #250,#300,#350,#400,#450 IS 12" PER ADA REQUIREMENTS.

- GRAB BAR NOTES**
- GRAB BAR HEIGHTS FOR TOILETS IN ROOMS 300-450 ARE AT 18"-20" A.F.F.
  - GRAB BAR HEIGHTS FOR TOILETS IN ROOMS 500-550 AND ACTIVITY ROOM ARE AT 20"-25" A.F.F.

WATER CLOSET / LAV / GRAB BAR MOUNTING HT CHART				
ROOM	WC seat HEIGHT	LAV HEIGHT	WC CL. TO SIDE WALL	GRAB BAR HEIGHT
200-250	10"	24"	12"	18"-20"
300-350	11"	24"/30"	12"	18"-20"
400-450	12"	30"	14"	20"-25"
500-600	15"	30"	14"	20"-25"
ADULT	17"	34"	18"	34"

**IVY KIDS EARLY LEARNING CENTER**  
 4434 CR 94  
 Manvel, Tx 77578



DRAWING TITLE	
<b>INTERIOR ELEVATIONS</b>	
DRAWN BY	CHECKED BY
DATE	JOB NO.
DRAWING NO.	

**A-6.6**