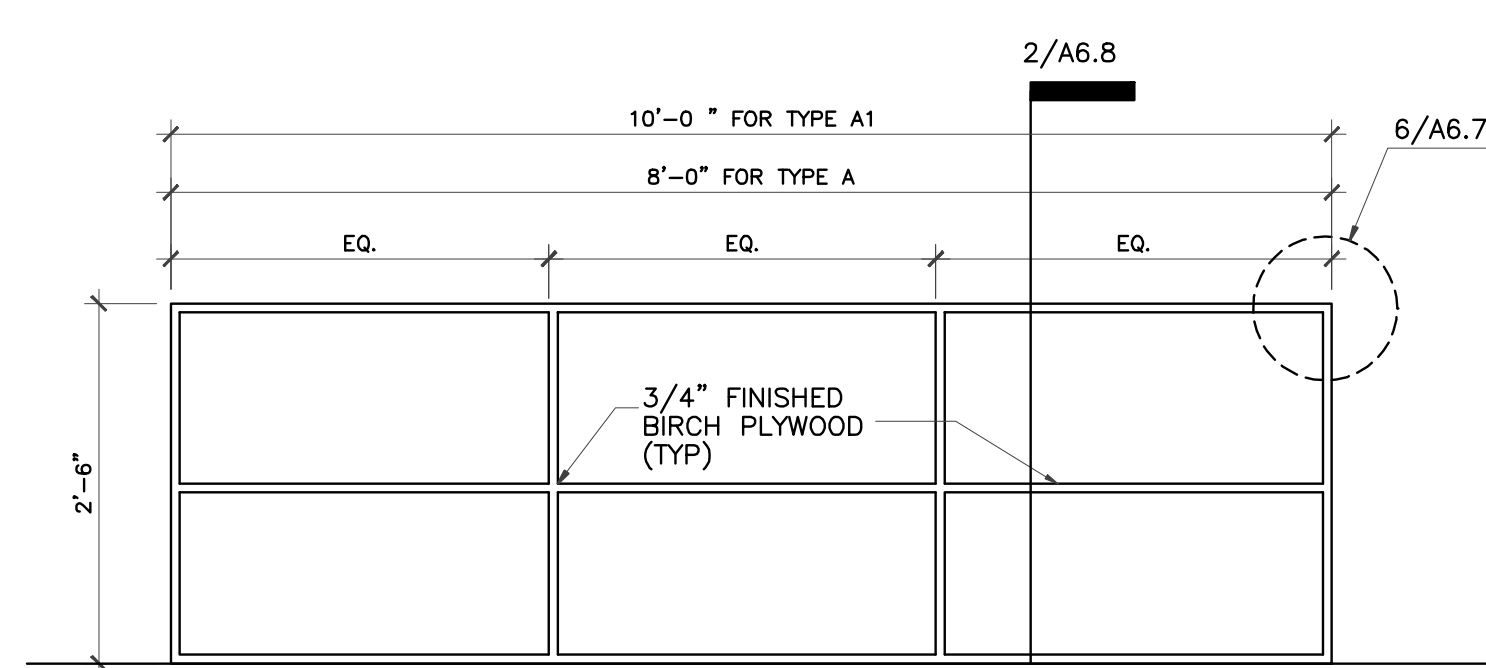
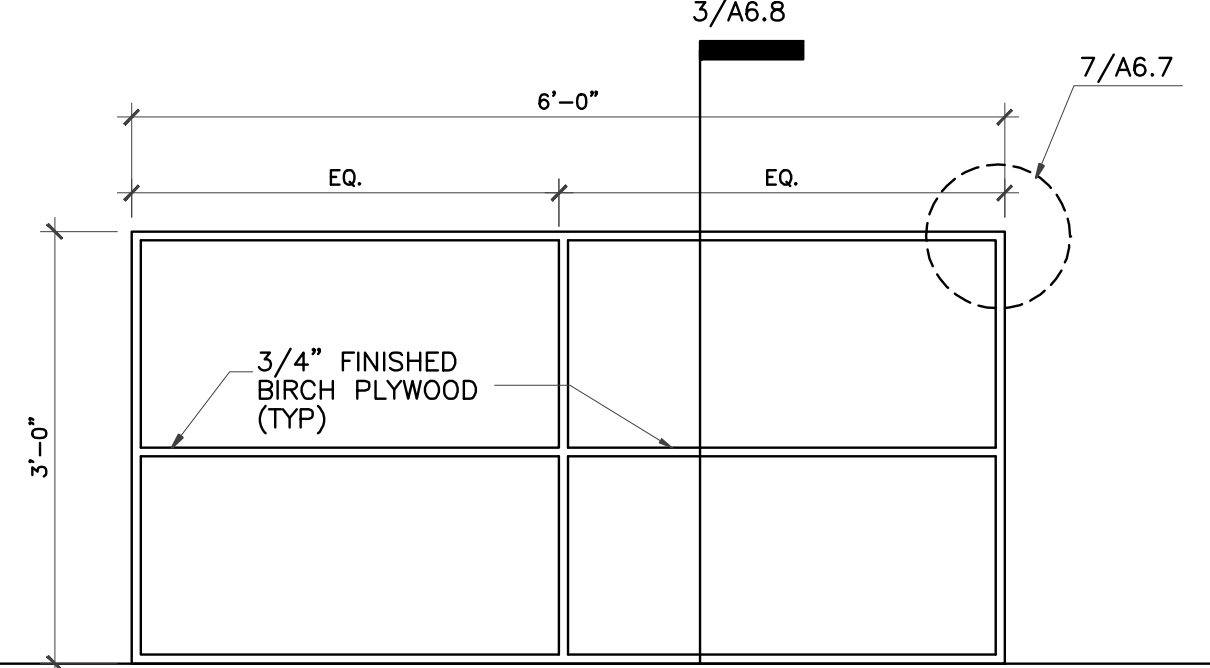


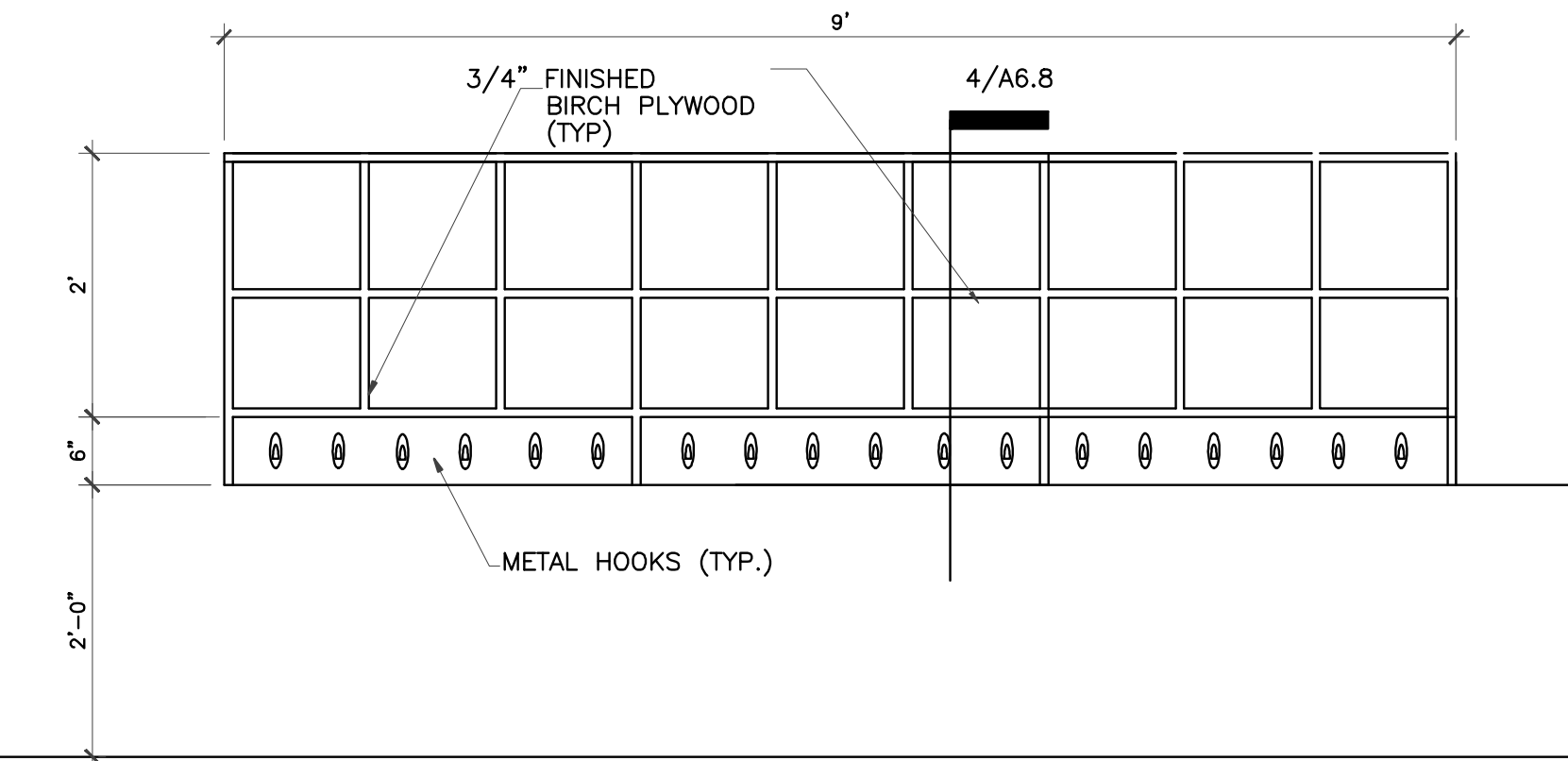
REVISIONS AND ISSUANCE		
NO.	DATE	DESCRIPTION
1	08/13/2017	PRICING



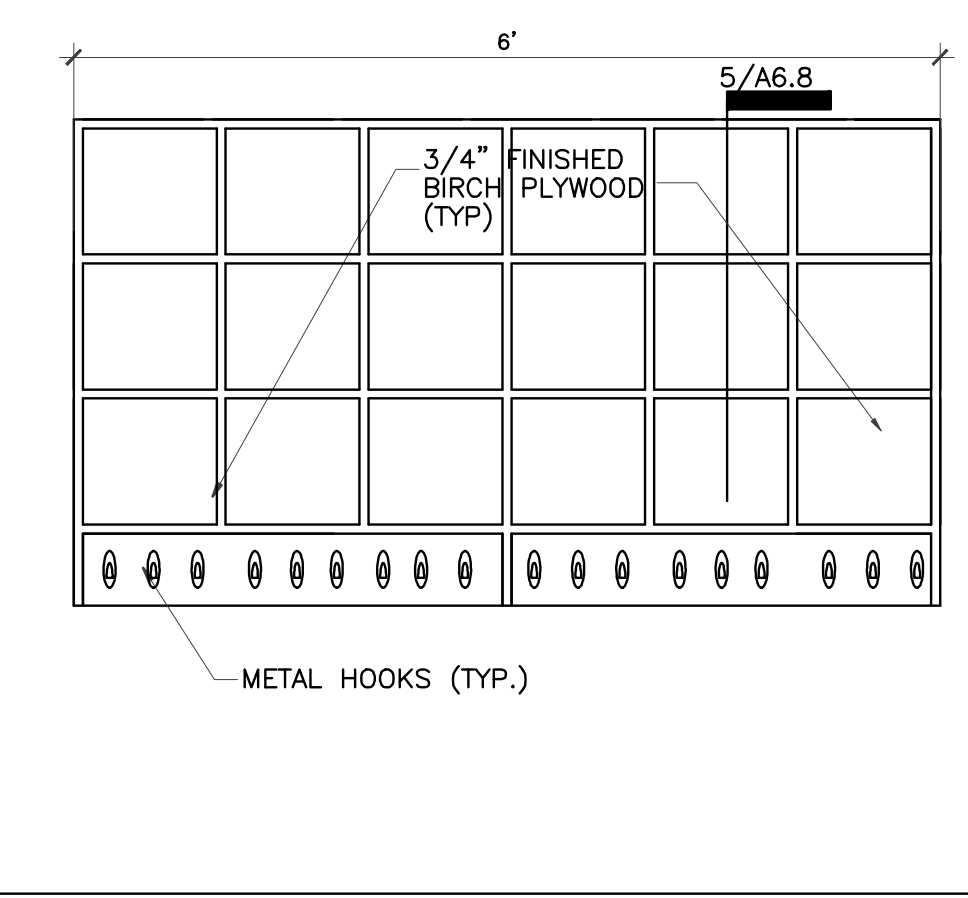
**A** **A1** **MILWORK-TOYSHELF**



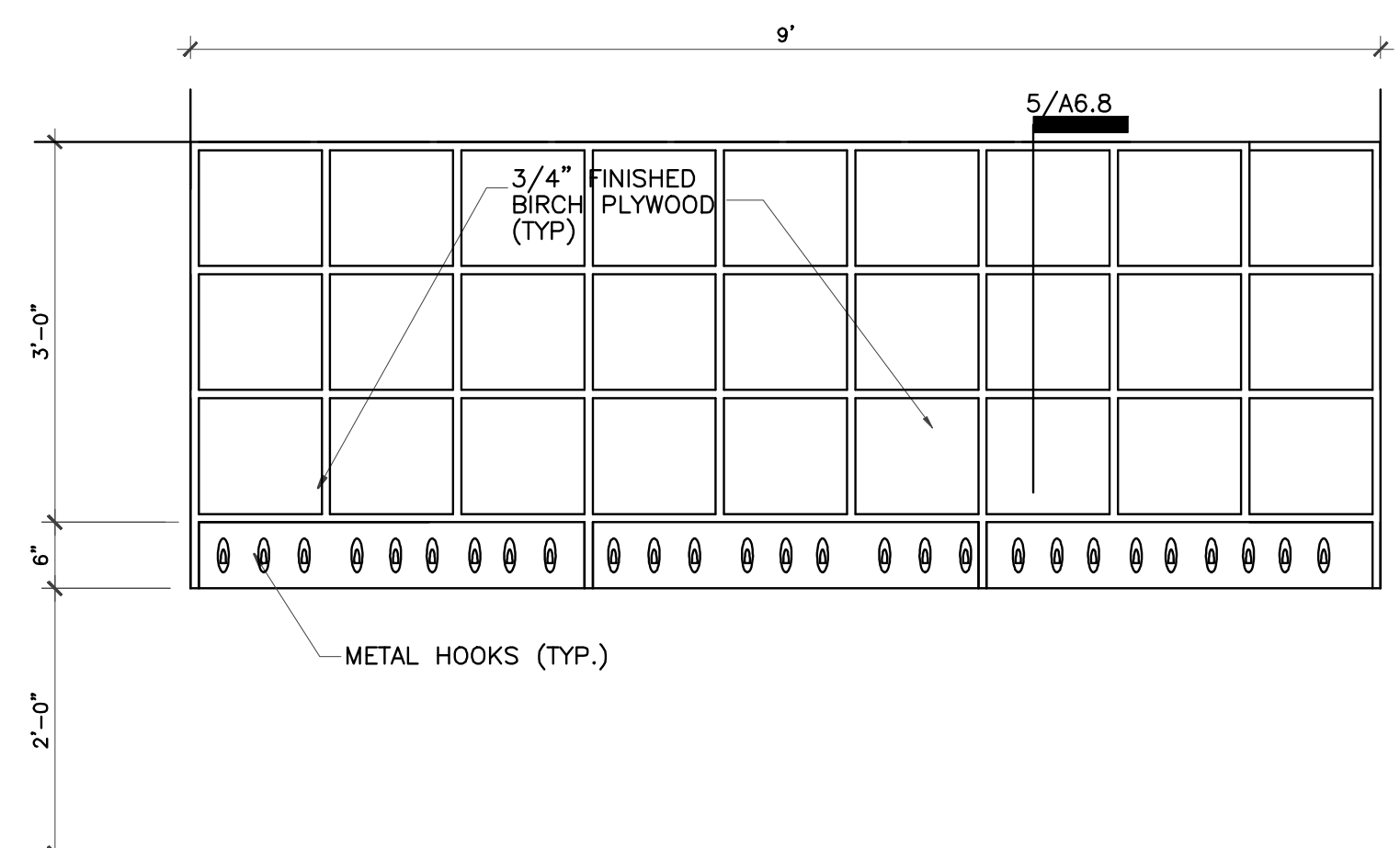
**B** **MILWORK-TOYSHELF**



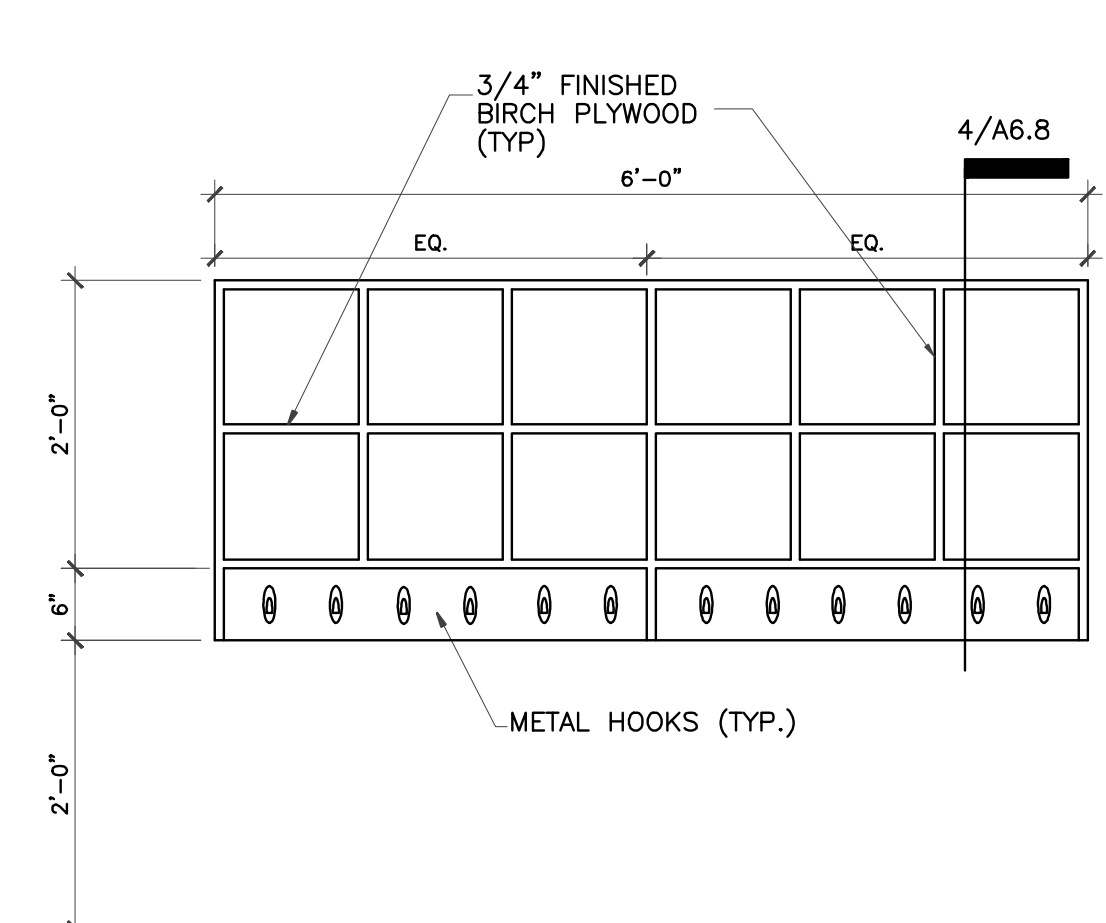
**C** **MILWORK-CUBBIE**



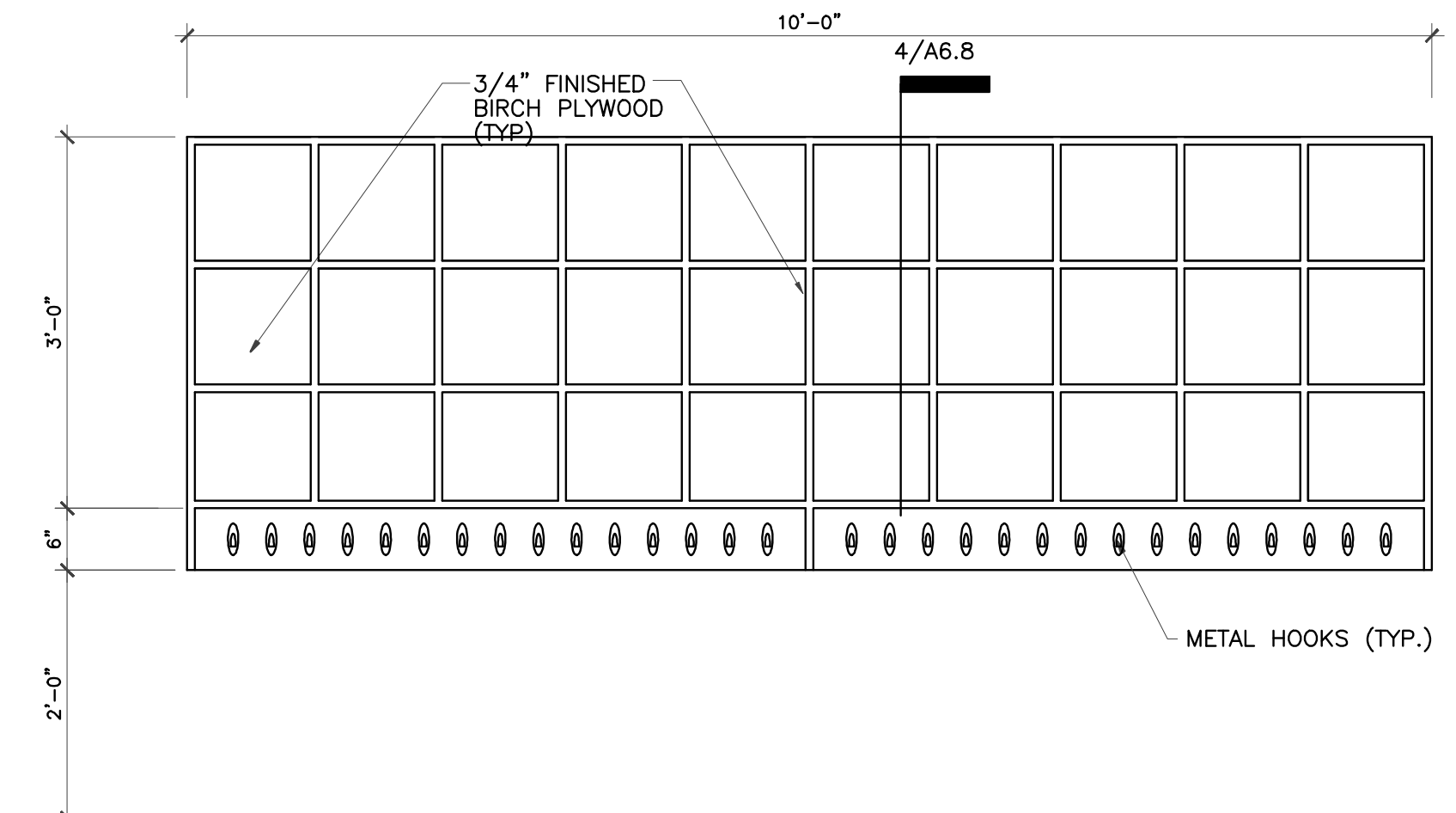
**D** **MILWORK-CUBBIE**



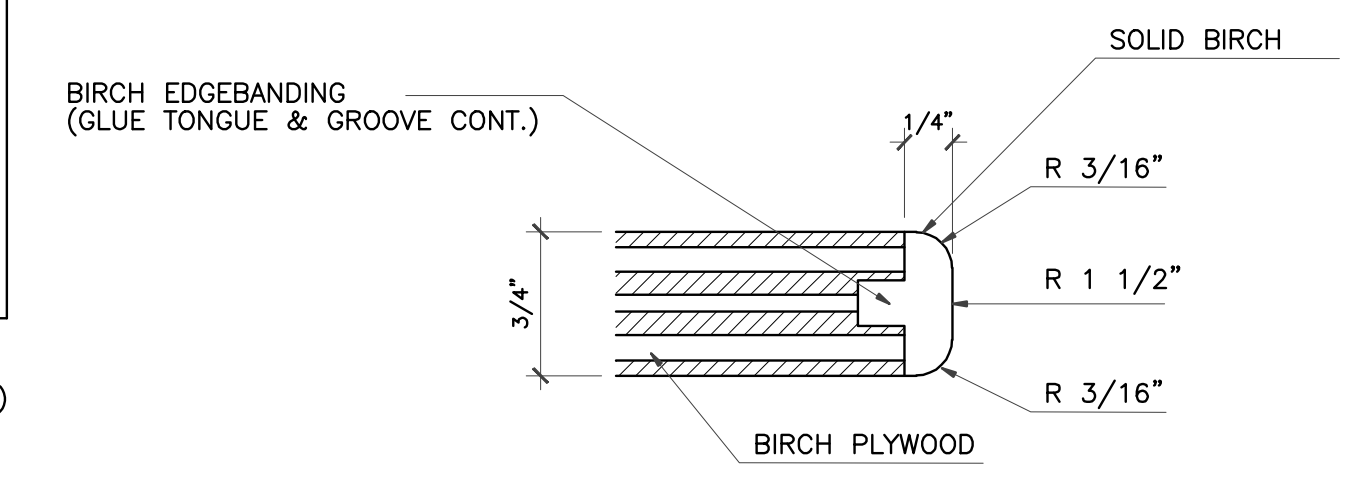
**E** **MILWORK-CUBBIE**



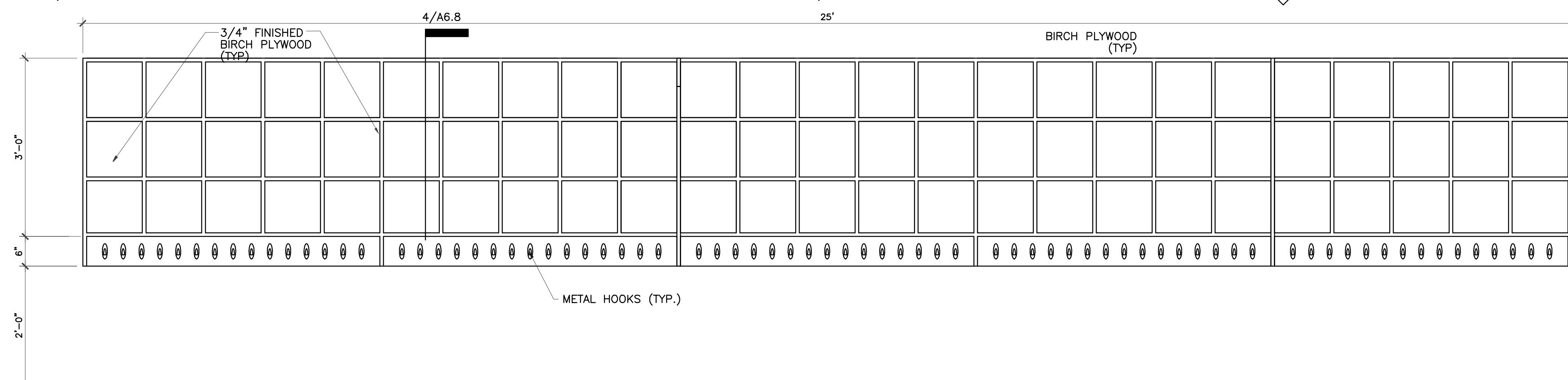
**F** **MILWORK-CUBBIE**



**G** **MILWORK-CUBBIE**

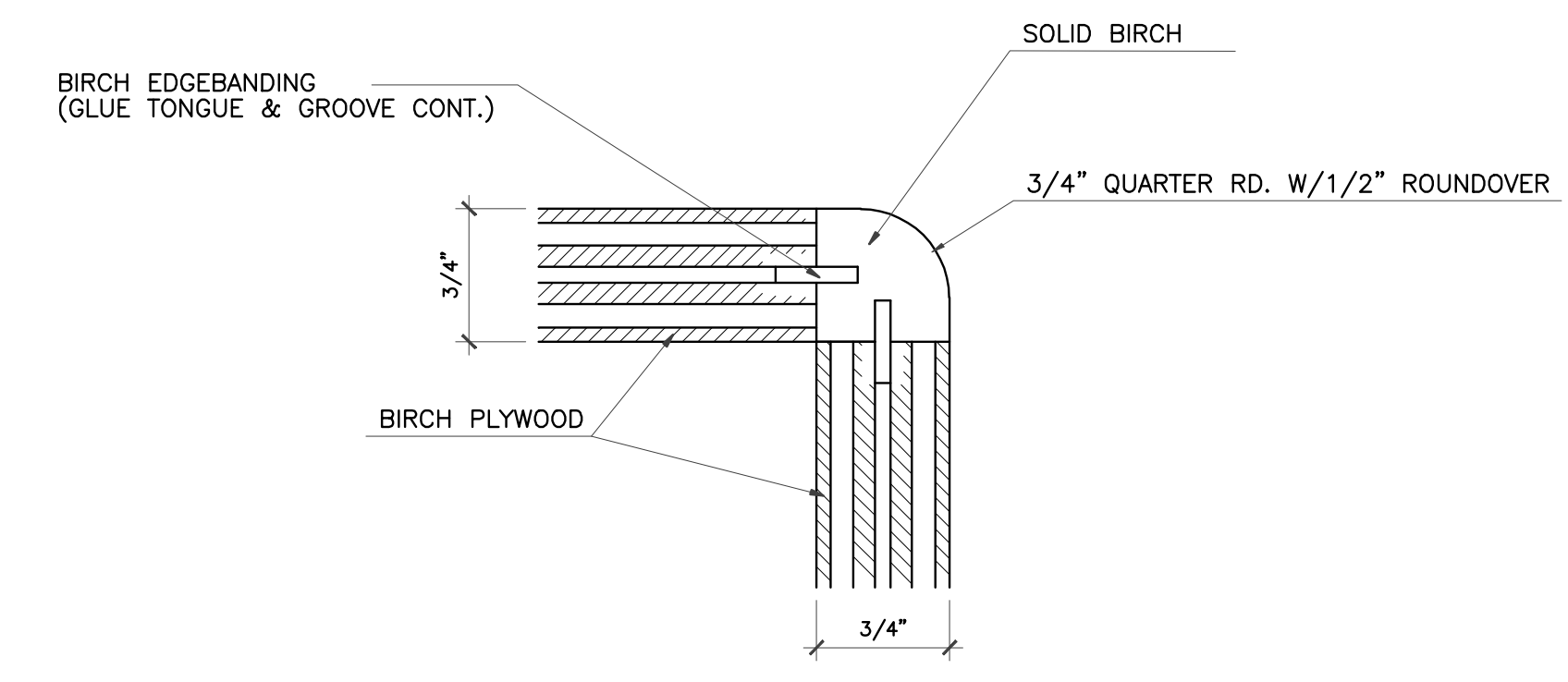


**6** **EDGEBANDING DETAIL**  
FULL SCALE



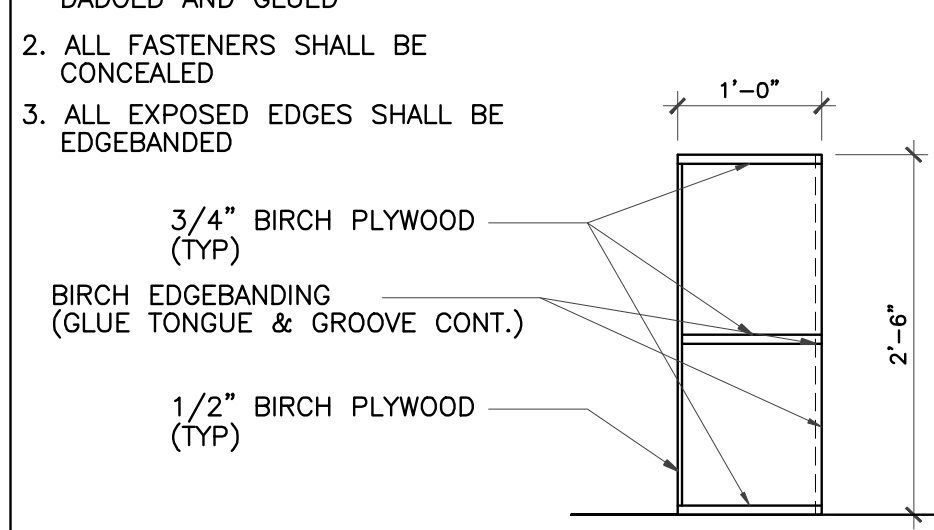
**H** **MILWORK-CUBBIE**

all interior face of cubbies shall be white

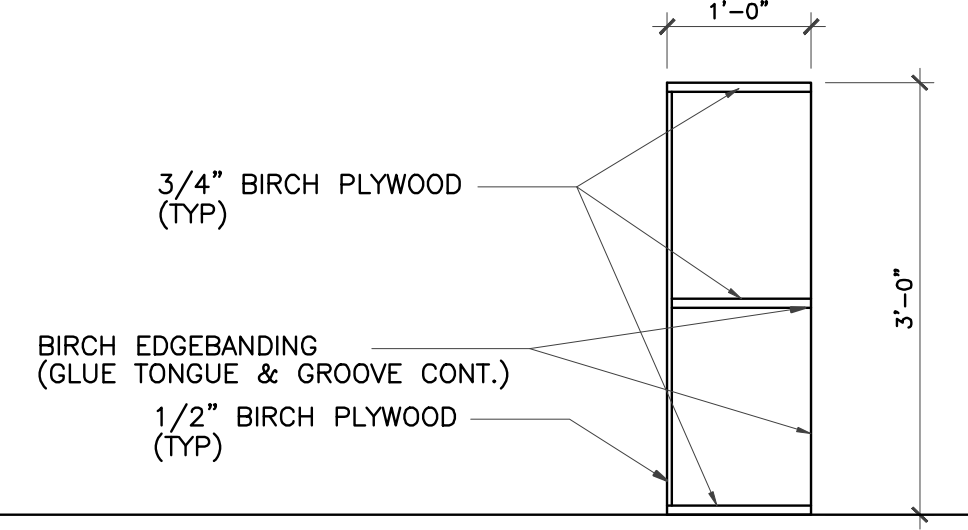


**7** **EDGEBANDING DETAIL**  
FULL SCALE

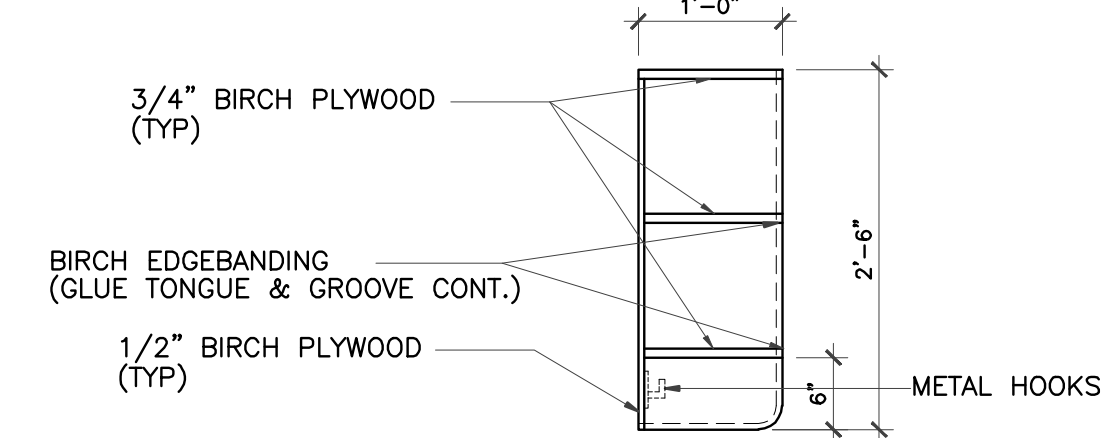
- NOTES:  
 1. ALL JOINTS SHALL BE RABBETED/ DADOED AND GLUED  
 2. ALL FASTENERS SHALL BE CONCEALED  
 3. ALL EXPOSED EDGES SHALL BE EDGEBANDED



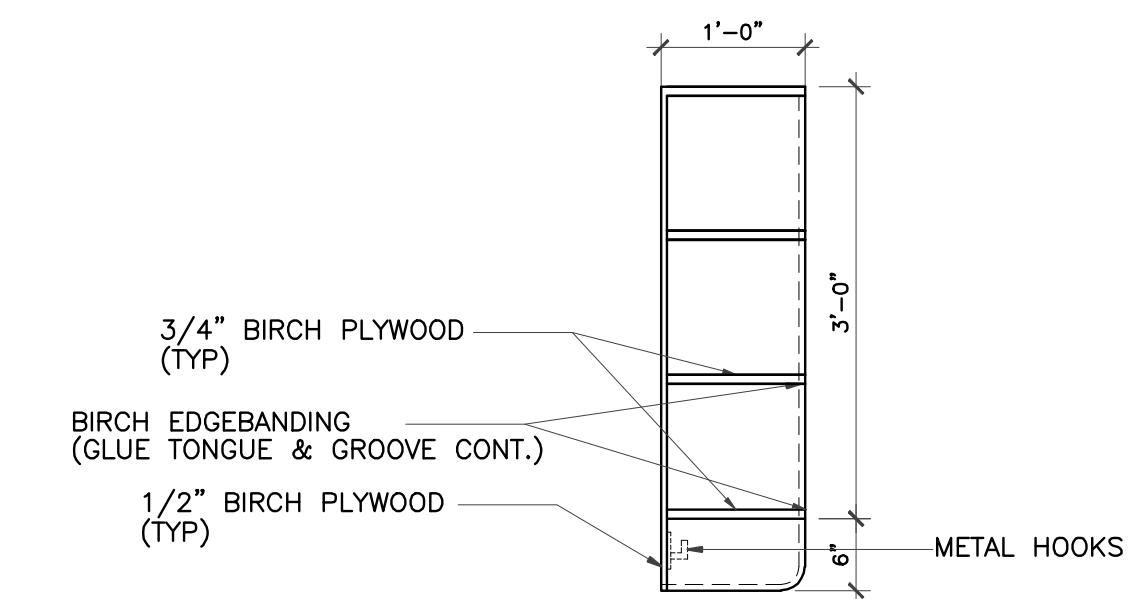
**2** **TOY SHELF SECTION**  
3/4" = 1'-0"



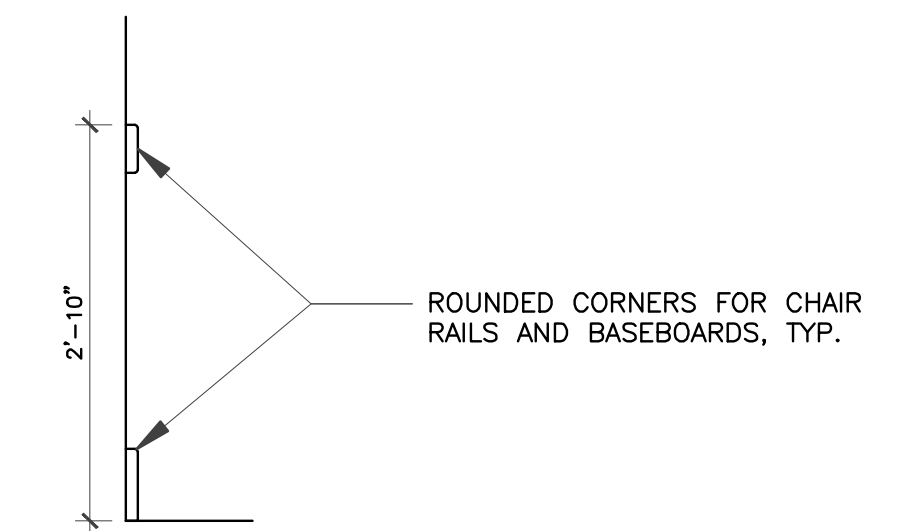
**3** **TOY SHELF SECTION**  
3/4" = 1'-0"



**4** **CUBBIE SECTION**  
3/4" = 1'-0"



**5** **CUBBIE SECTION**  
3/4" = 1'-0"



**8** **CHAIR RAIL AND BASEBOARD DETAIL**  
3/4" = 1'-0"

IVY KIDS EARLY LEARNING CENTER  
 4434 CR 94  
 Manvel, Tx 77578



DRAWING TITLE	
<b>CUBBIES &amp; TOY SHELVES</b>	
DRAWN BY	CHECKED BY
DATE	JOB NO.
03/30/2017	gleannloch
DRAWING NO.	
<b>A-6.8</b>	