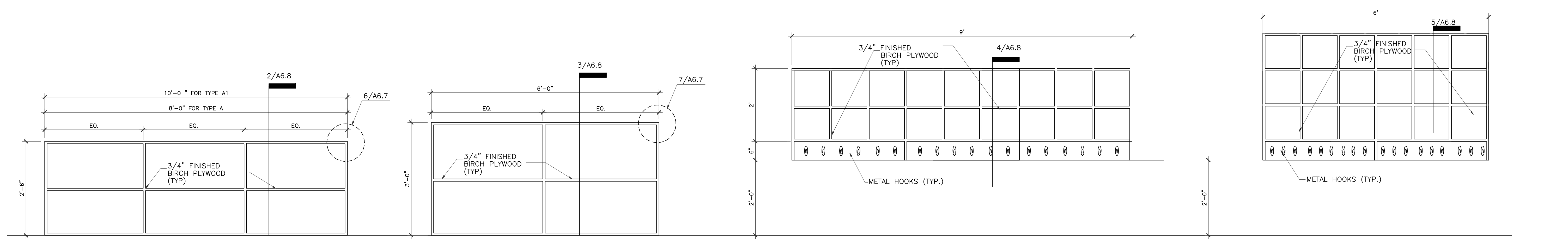


REVISIONS AND ISSUANCE		
NO.	DATE	DESCRIPTION
1	08/13/2017	PRICING
2	09/03/2018	ADDENDUM 3

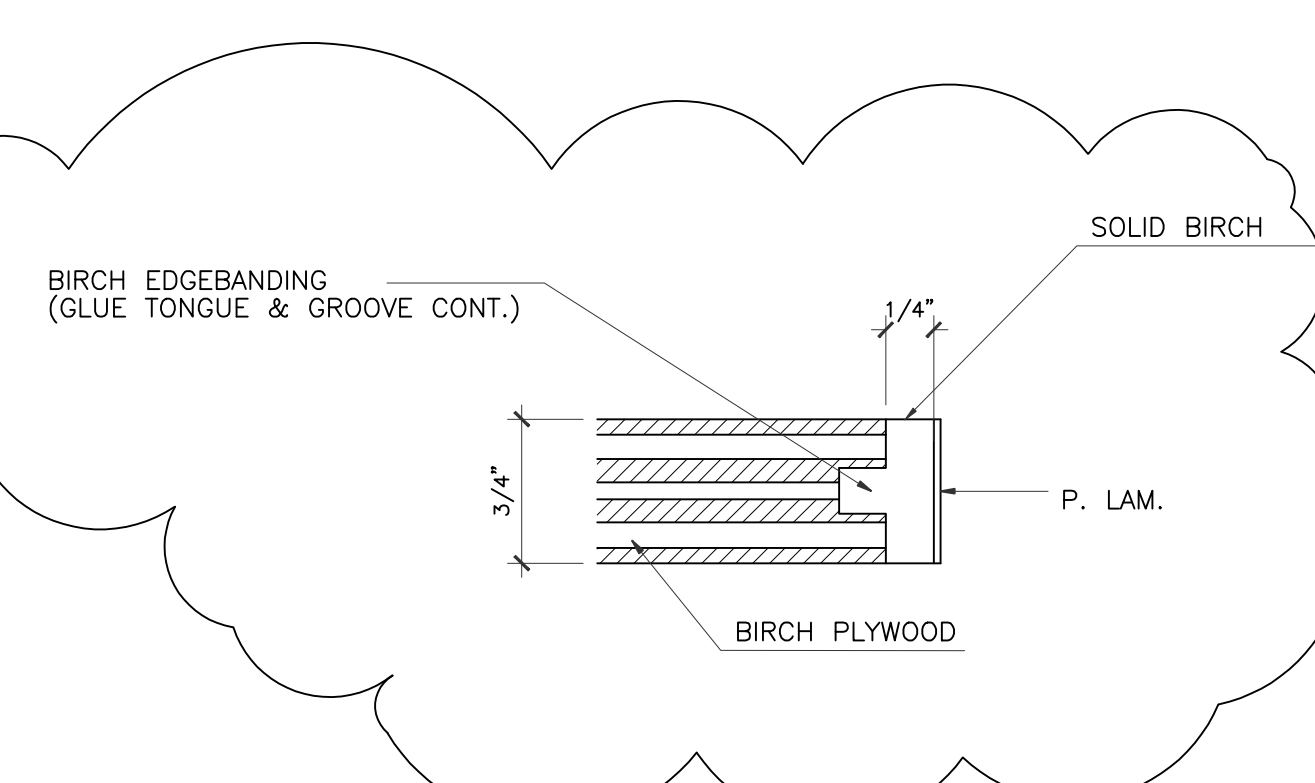
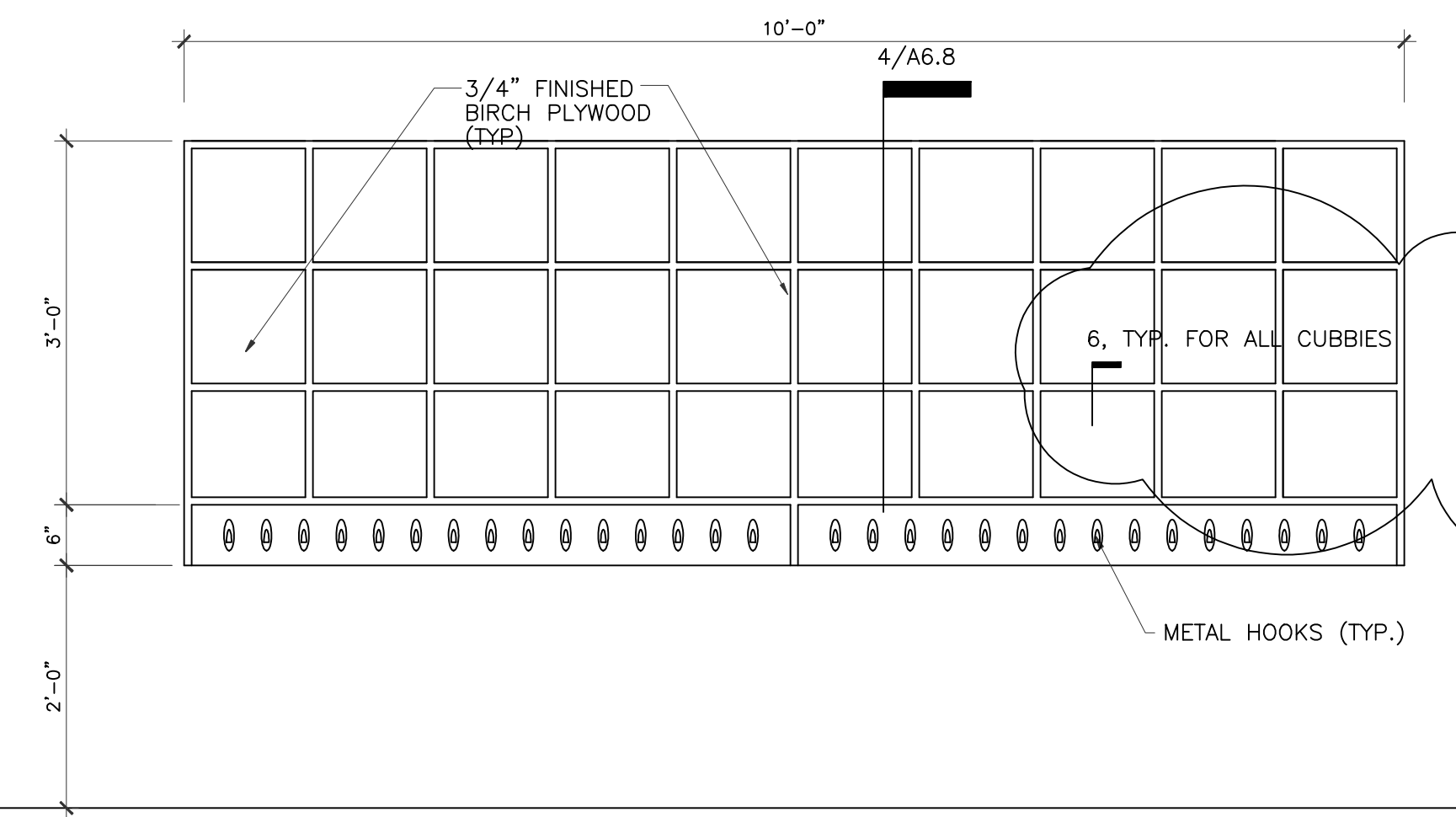
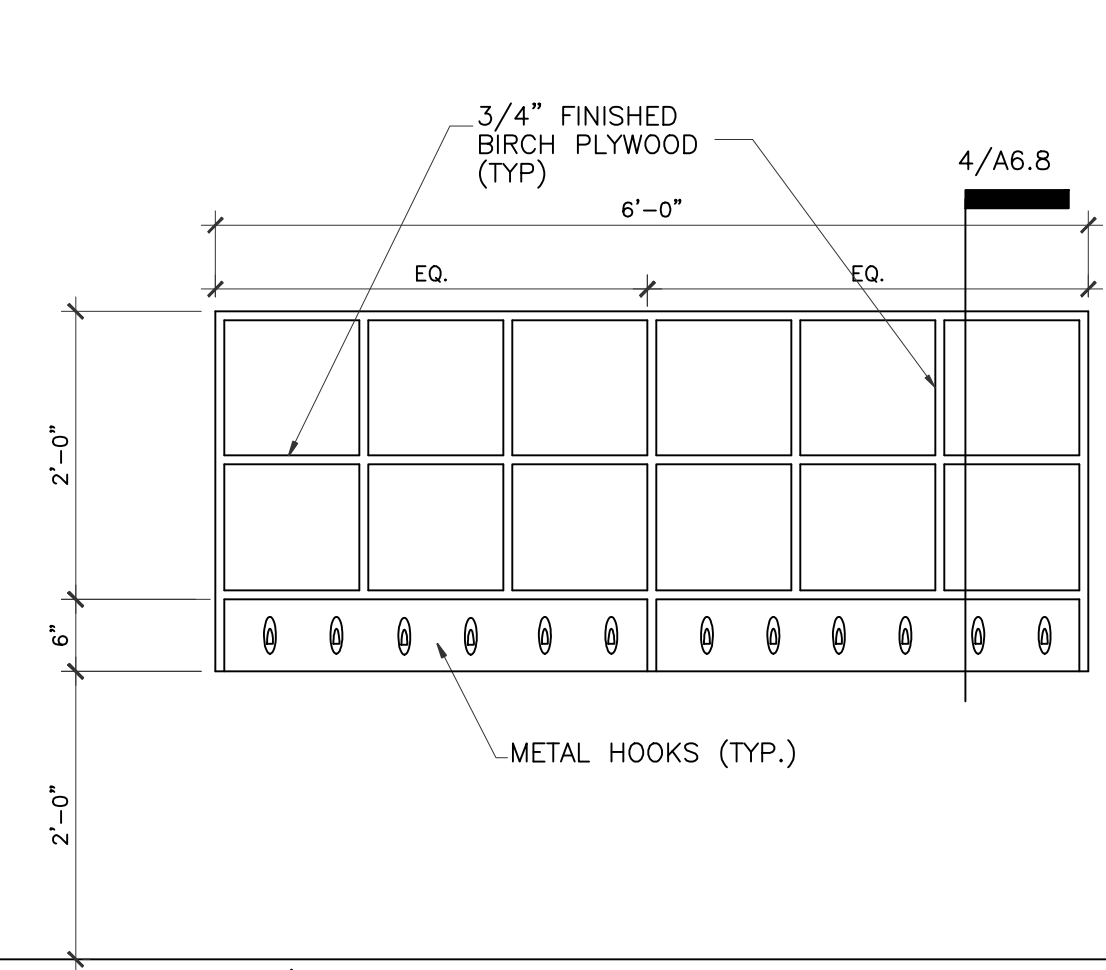
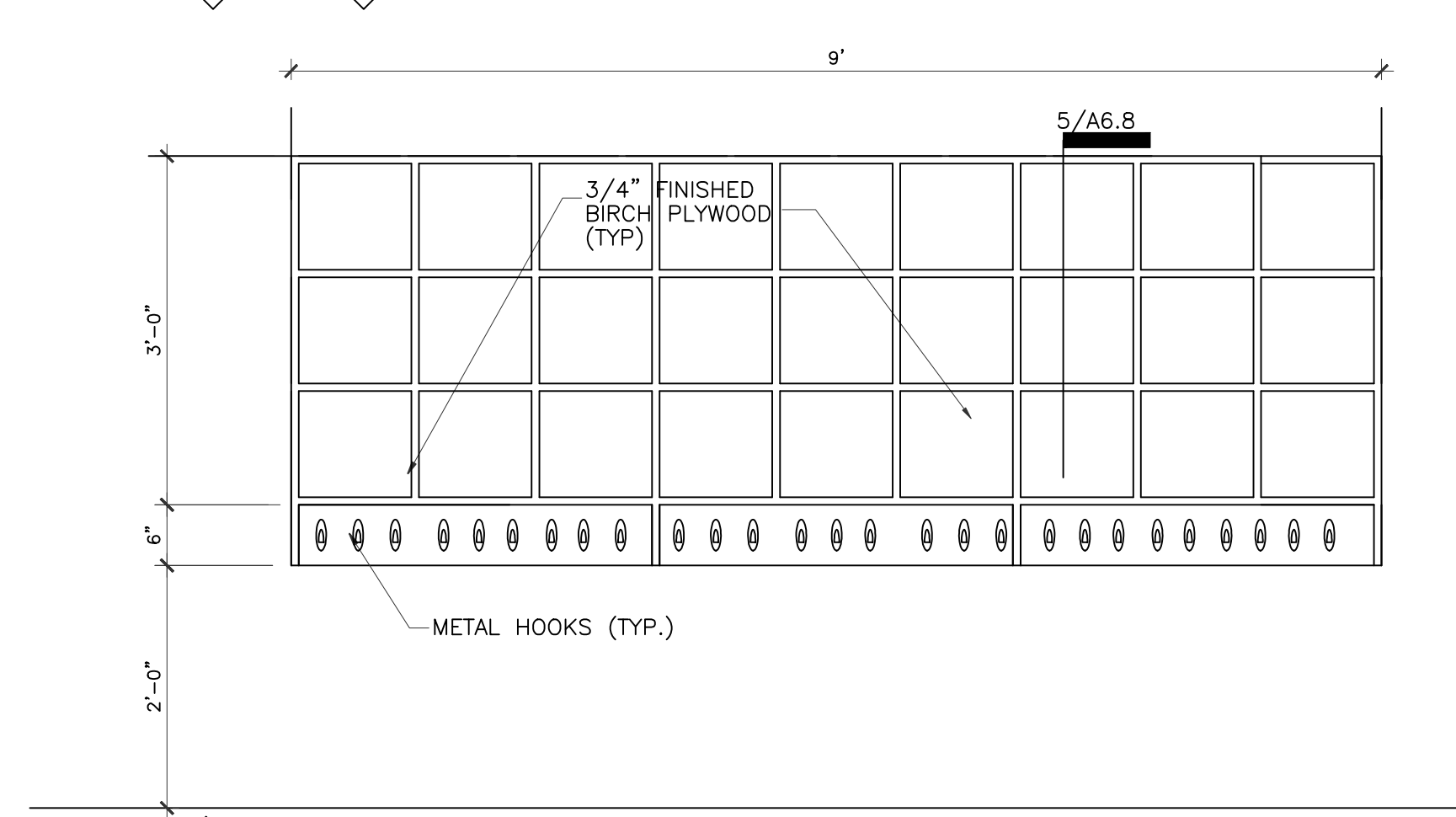


A **A1** **MILWORK-TOYSHELF**

B **MILWORK-TOYSHELF**

C **MILWORK-CUBBIE**

D **MILWORK-CUBBIE**

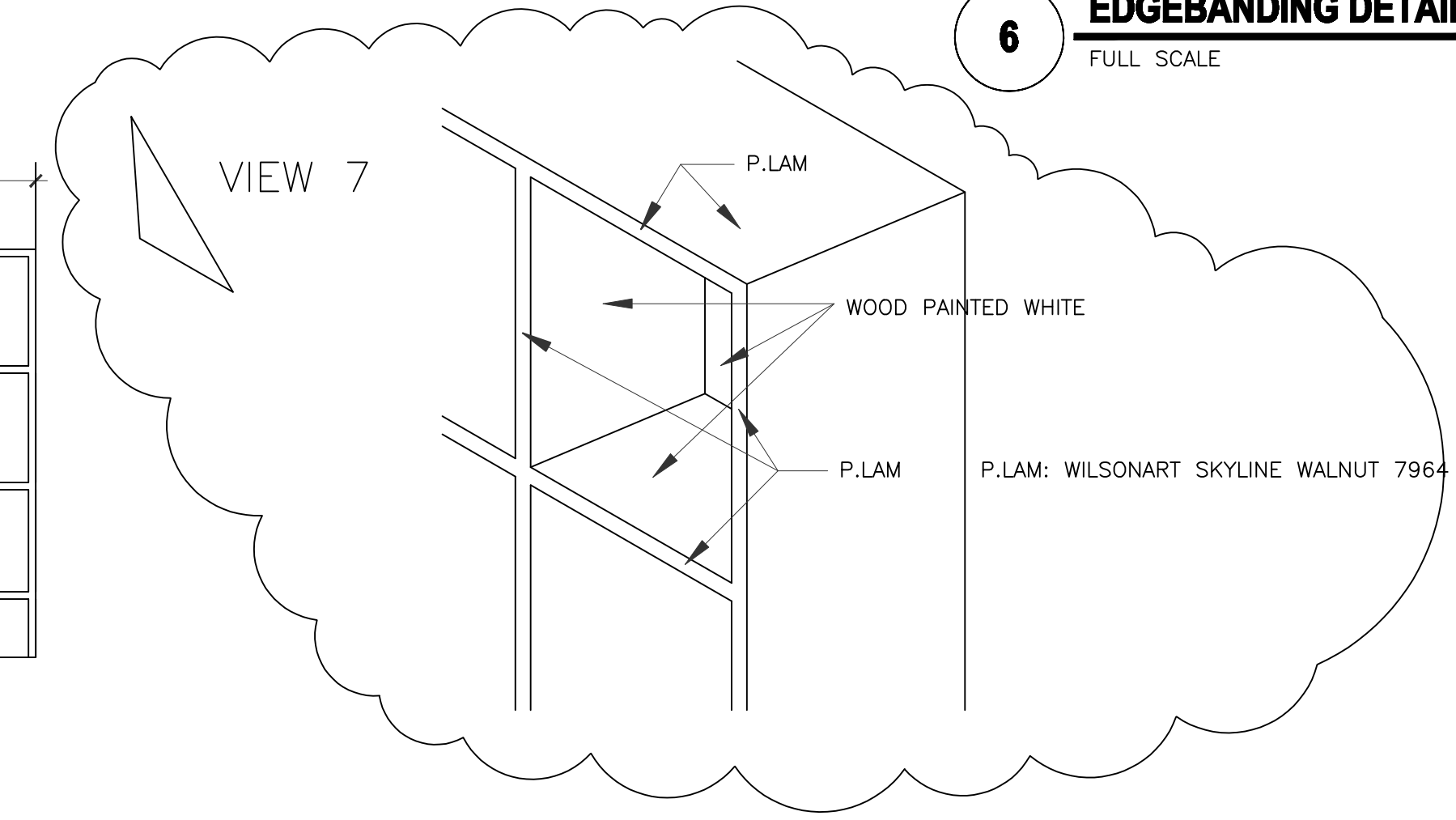
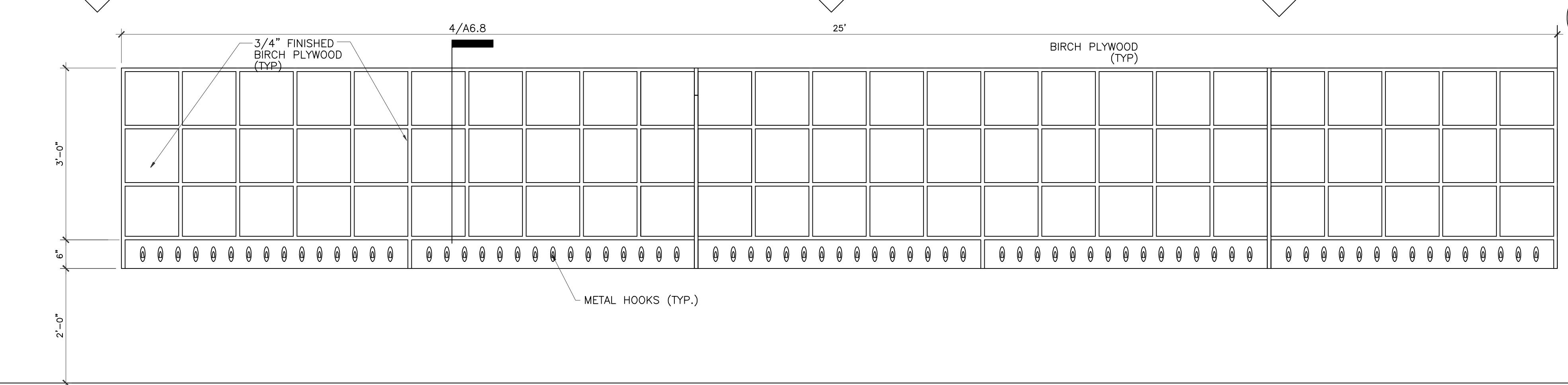


E **MILWORK-CUBBIE**

F **MILWORK-CUBBIE**

G **MILWORK-CUBBIE**

6 **EDGEBANDING DETAIL**
FULL SCALE

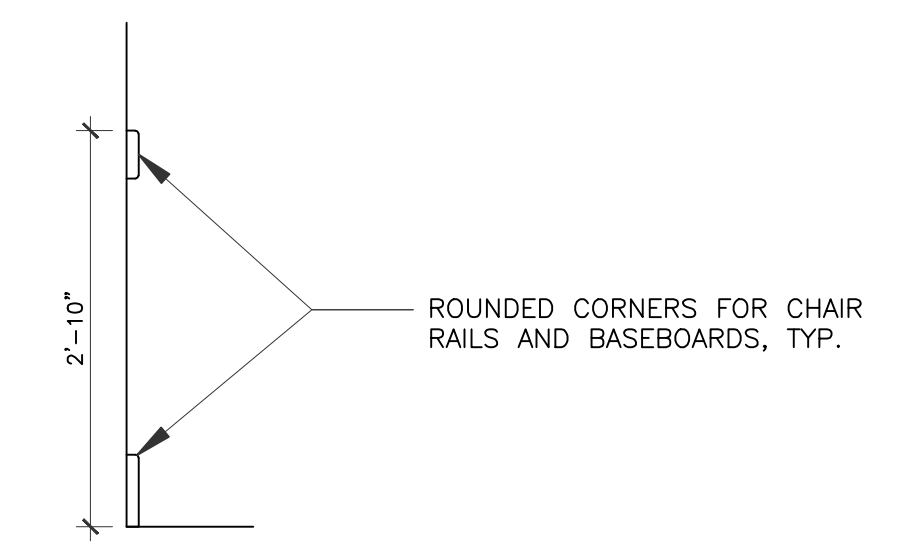
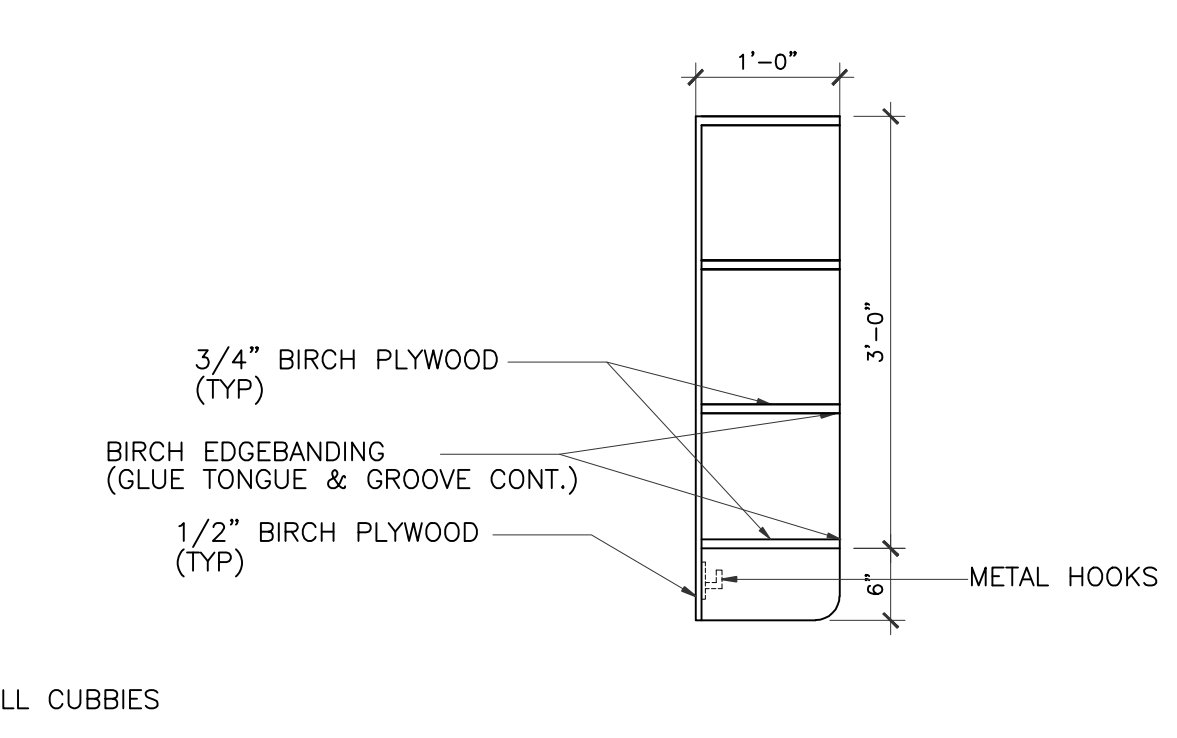
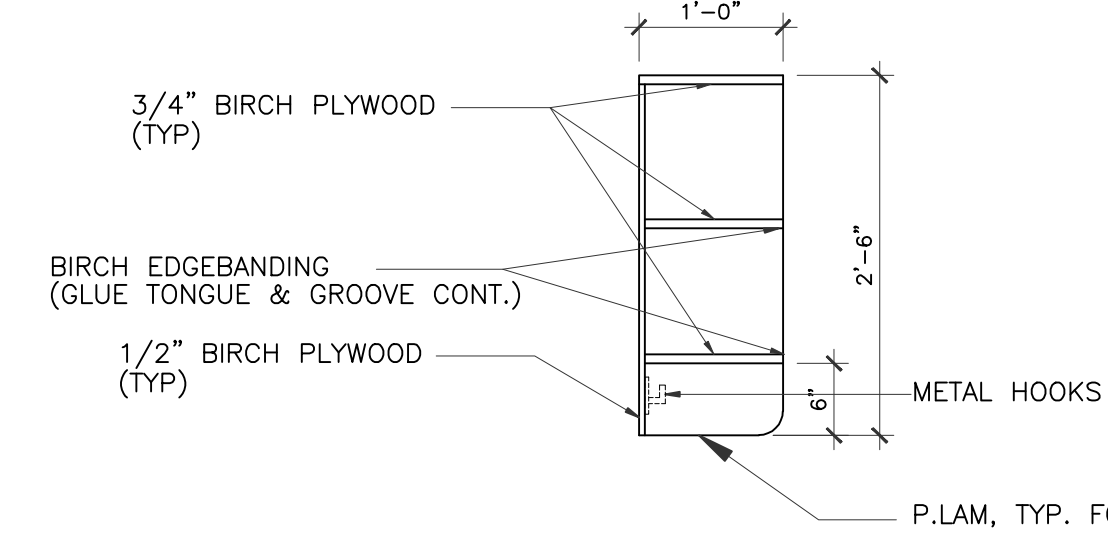
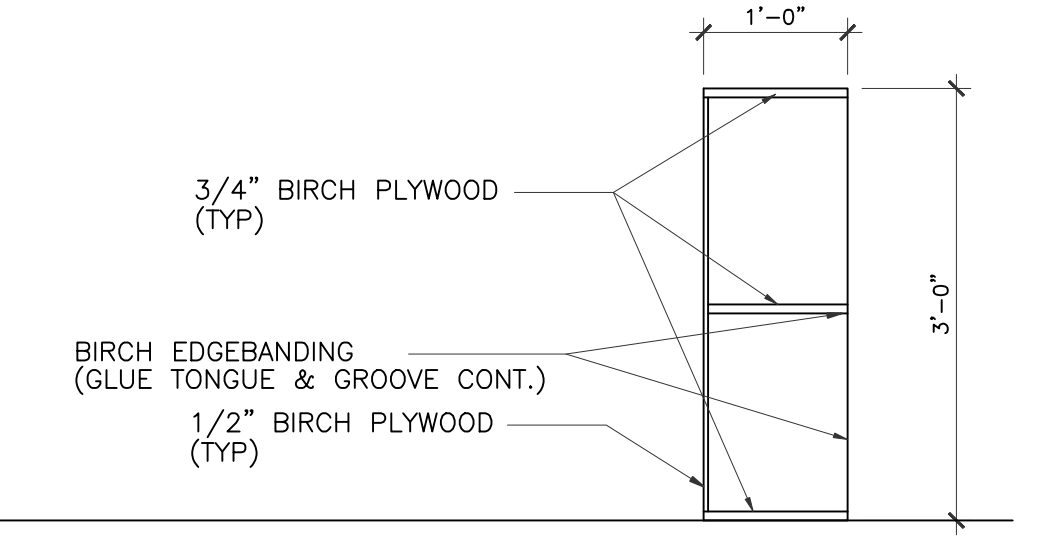
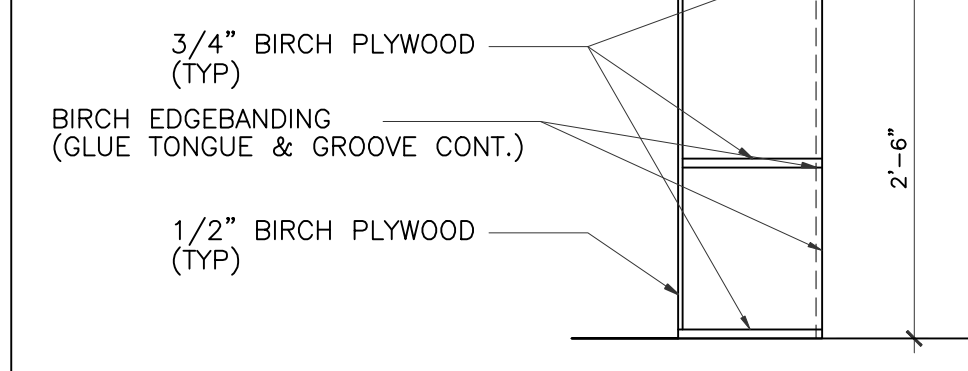


H **MILWORK-CUBBIE**

all interior face of cubbies shall be white

7 **FINISH DETAIL FOR ALL CUBBIES**

- NOTES:
1. ALL JOINTS SHALL BE RABBITED/ DADOED AND GLUED
 2. ALL FASTENERS SHALL BE CONCEALED
 3. ALL EXPOSED EDGES SHALL BE EDGEBANDED



2 **TOY SHELF SECTION**
3/4" = 1'-0"

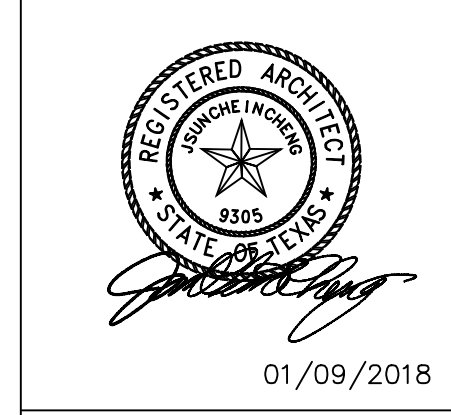
3 **TOY SHELF SECTION**
3/4" = 1'-0"

4 **CUBBIE SECTION**
3/4" = 1'-0"

5 **CUBBIE SECTION**
3/4" = 1'-0"

8 **CHAIR RAIL AND BASEBOARD DETAIL**
3/4" = 1'-0"

MY KIDS EARLY LEARNING CENTER
4434 CR 94
Manvel, Tx 77578



DRAWING TITLE	
CUBBIES & TOY SHELVES	
DRAWN BY	CHECKED BY
DATE	JOB NO.
DRAWING NO.	

A-6.8