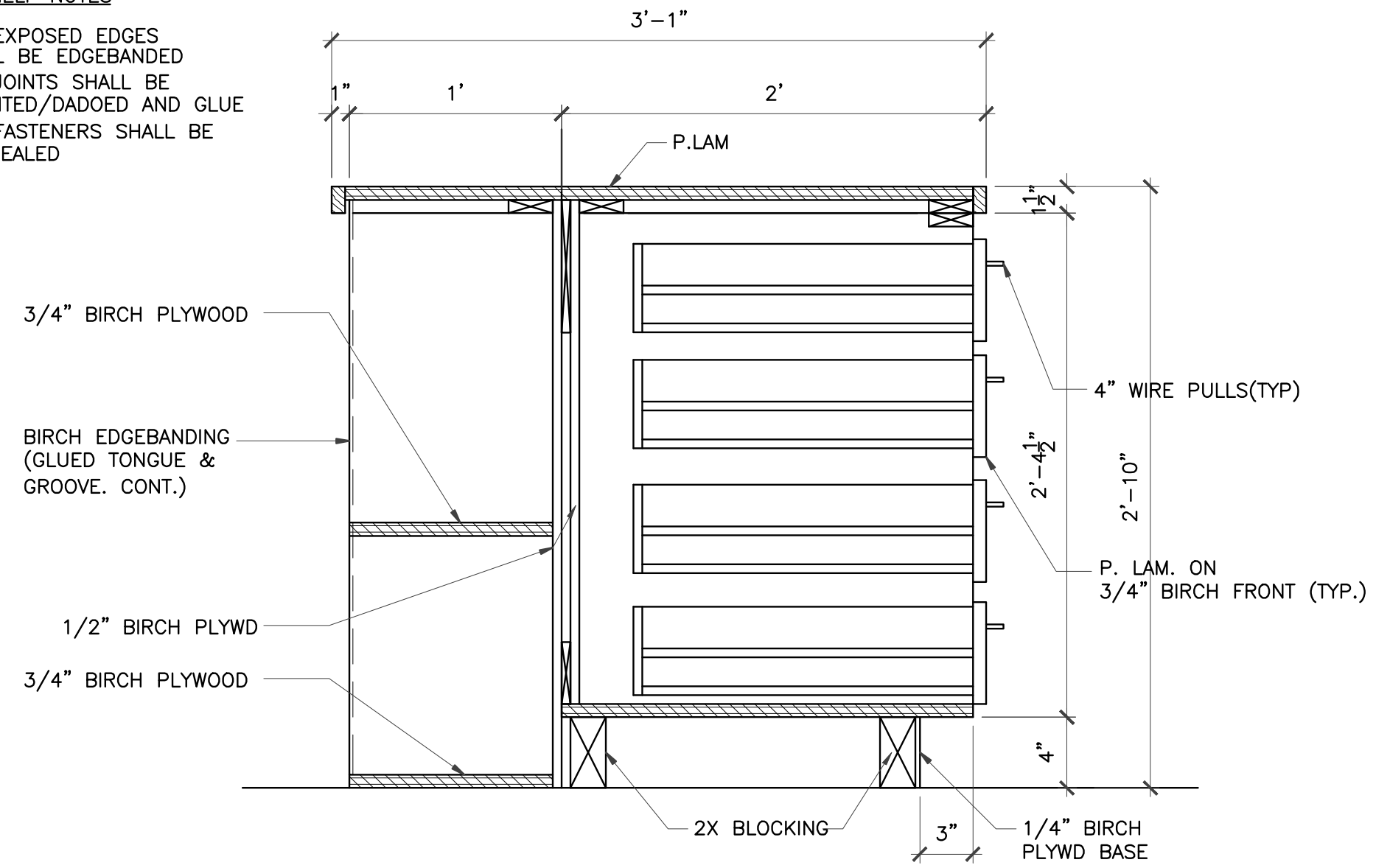
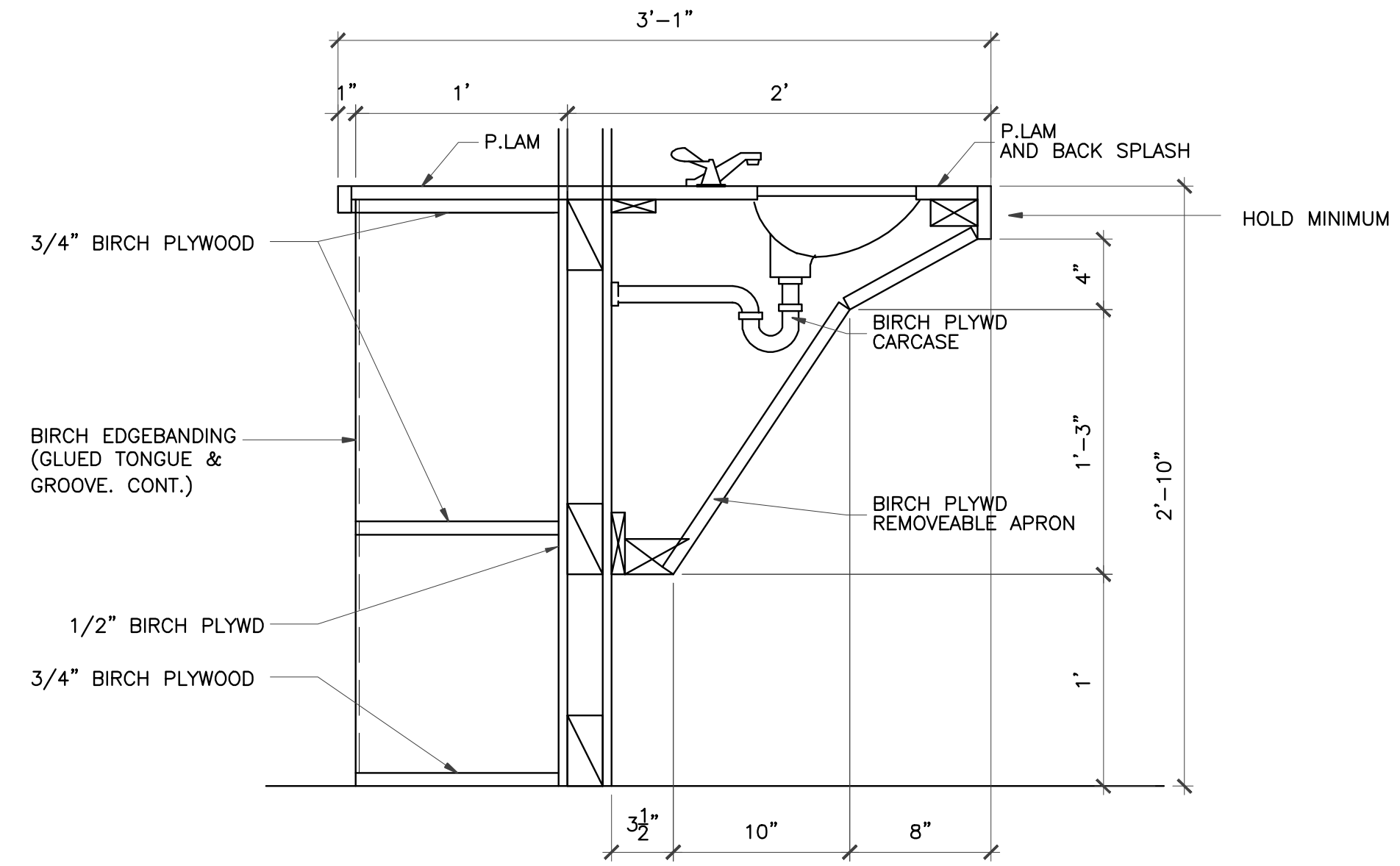


REVISIONS AND ISSUANCE		
NO.	DATE	DESCRIPTION
1	08/13/2017	PRICING

TOY SHELF NOTES
 1. ALL EXPOSED EDGES SHALL BE EDGEBANDED
 2. ALL JOINTS SHALL BE RABBETED/DADOED AND GLUE
 3. ALL FASTENERS SHALL BE CONCEALED

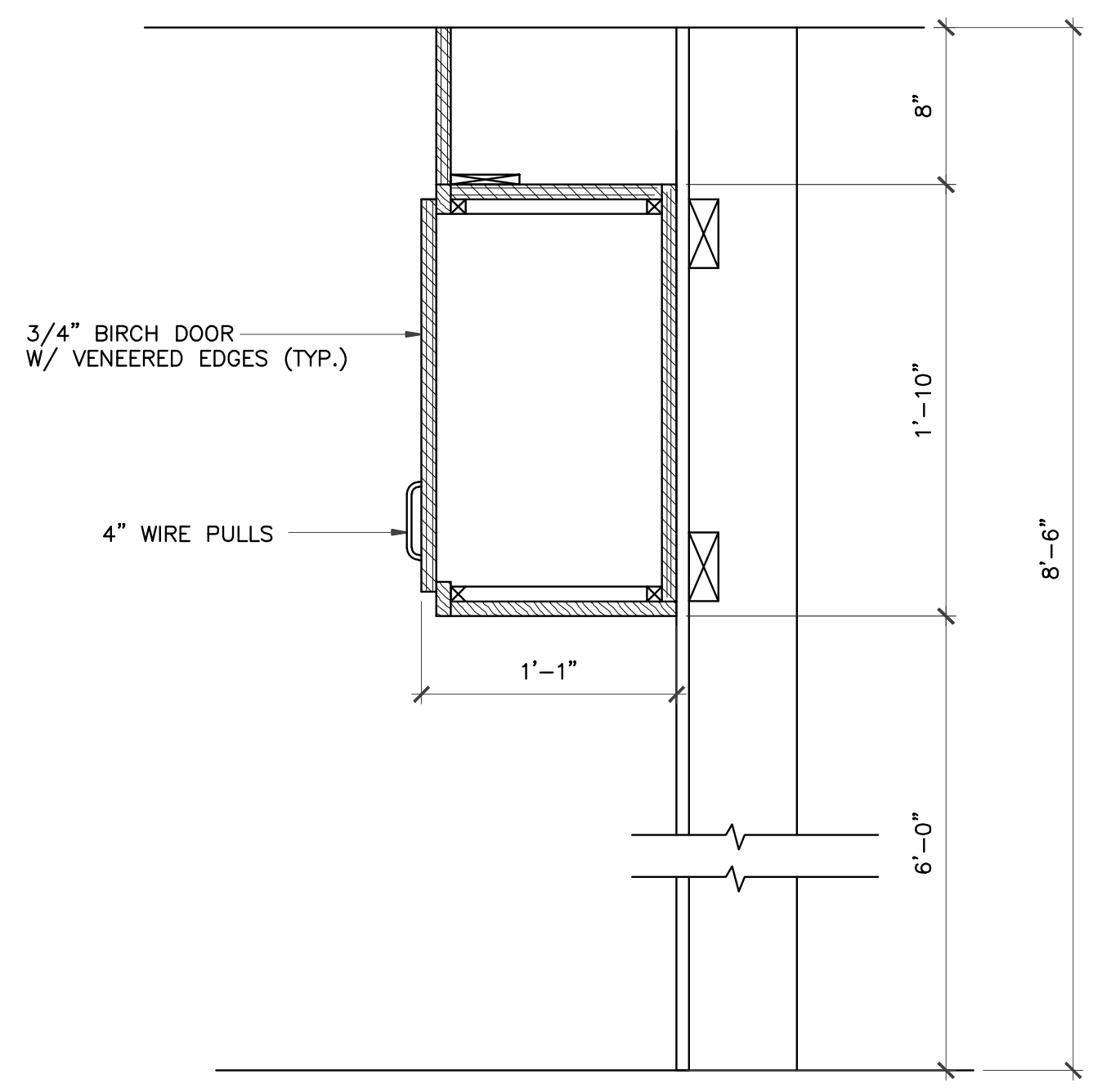


1 MILLWORK SECTION CLASSROOM #100, #150, #200
 SCALE: 1 1/2"=1'-0"
 CLASSROOM #100, #150, #200

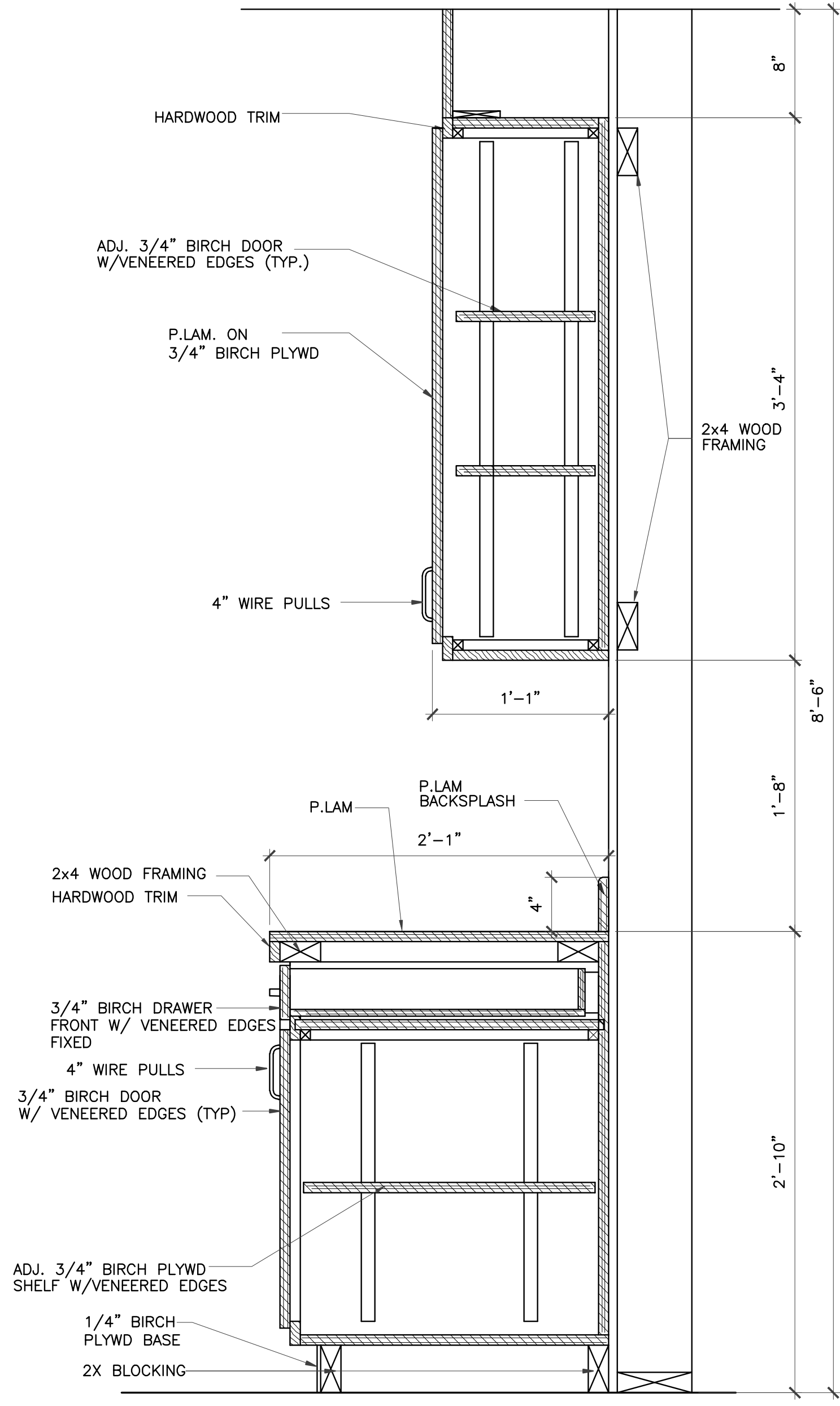


2 MILLWORK SECTION
 SCALE: 1 1/2"=1'-0"
 CLASSROOM #100, #150, #200

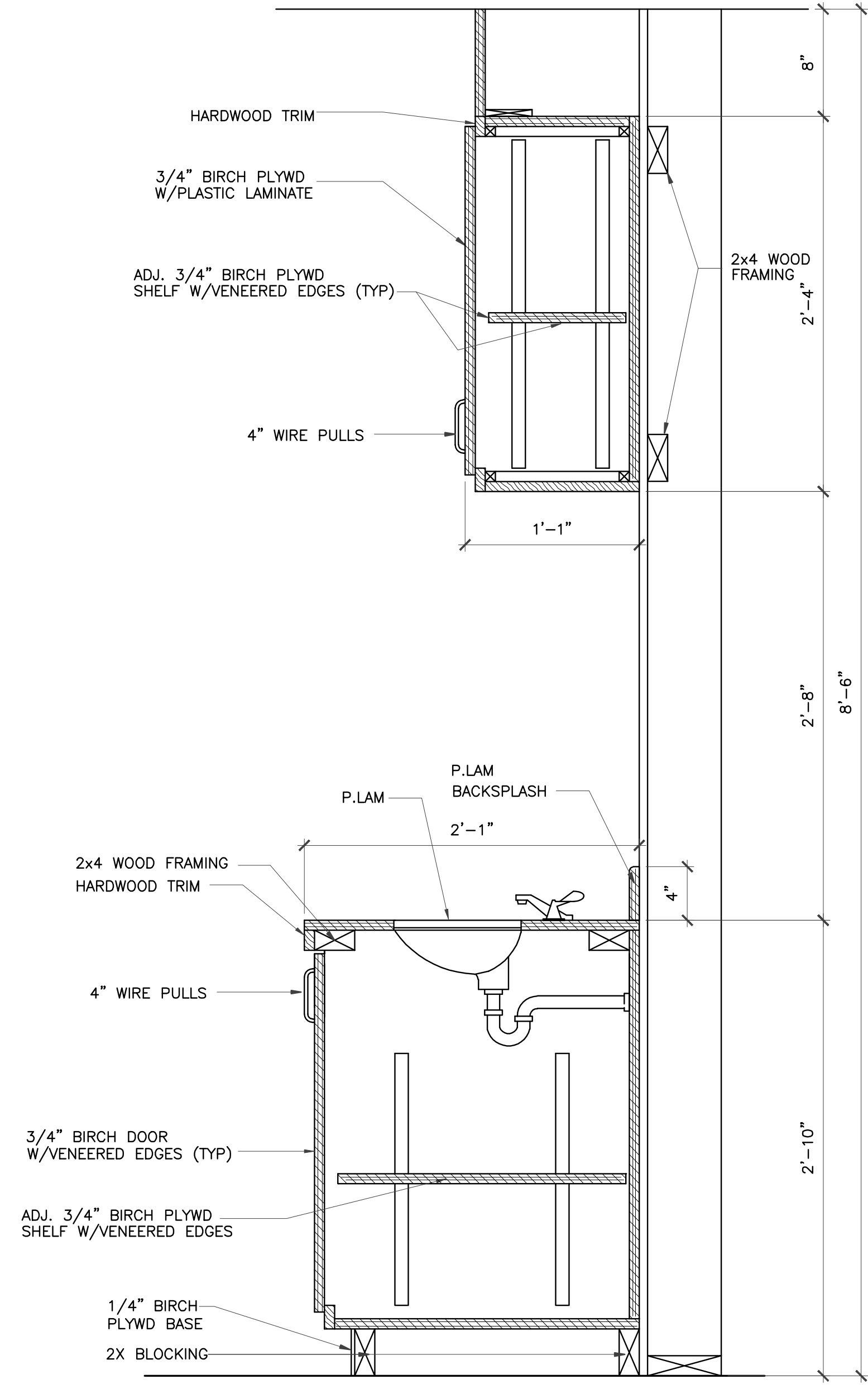
NOTE:
 THESE DIMENSIONS MUST BE MAINTAINED
 TO MEET ADA REQUIREMENTS



5 MILLWORK SECTION
 SCALE: 1 1/2"=1'-0"
 CLASSROOM #100, #150, #200



3 MILLWORK SECTION
 SCALE: 1 1/2"=1'-0"
 CLASSROOM #100, #150, #200



4 MILLWORK SECTION
 SCALE: 1 1/2"=1'-0"
 CLASSROOM #100, #150, #200

IVY KIDS EARLY LEARNING CENTER
 4434 CR 94
 Manvel, Tx 77578



DRAWING TITLE	
MILLWORK SECTIONS	
DRAWN BY	CHECKED BY
DATE	JOB NO.
DRAWING NO.	

A-8.0