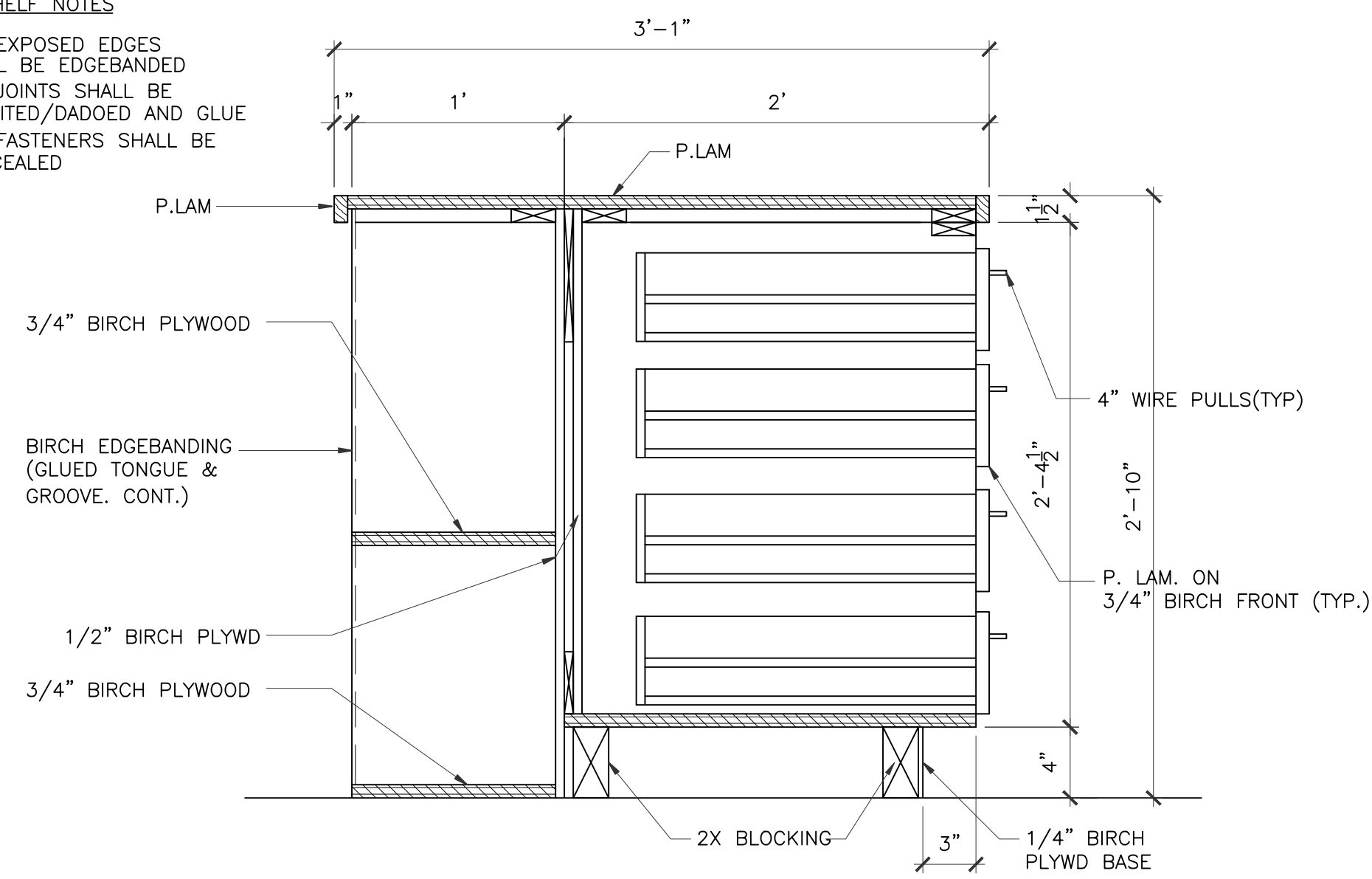
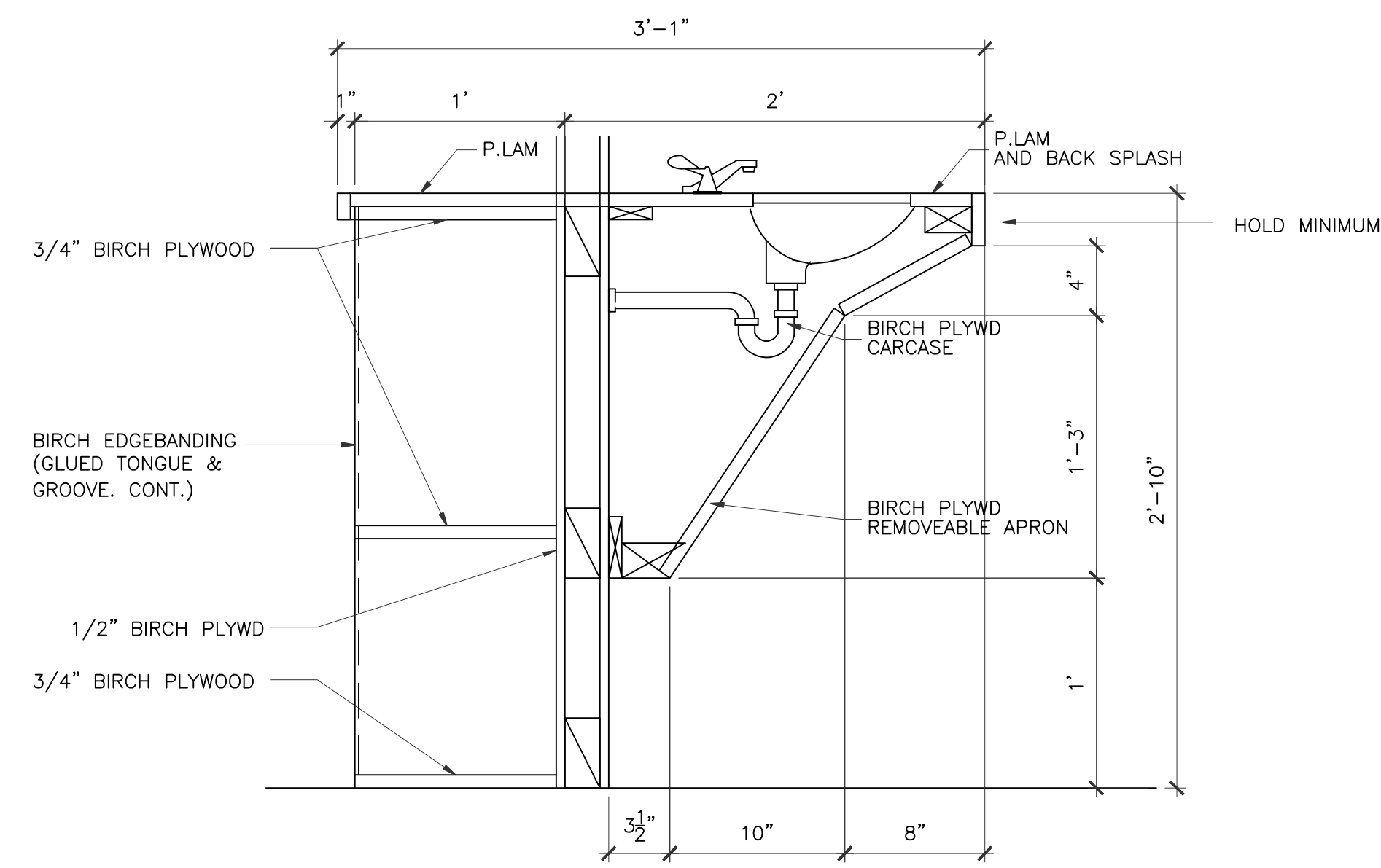


TOY SHELF NOTES

1. ALL EXPOSED EDGES SHALL BE EDGEBANDED
2. ALL JOINTS SHALL BE RABBITED/DADOED AND GLUE
3. ALL FASTENERS SHALL BE CONCEALED

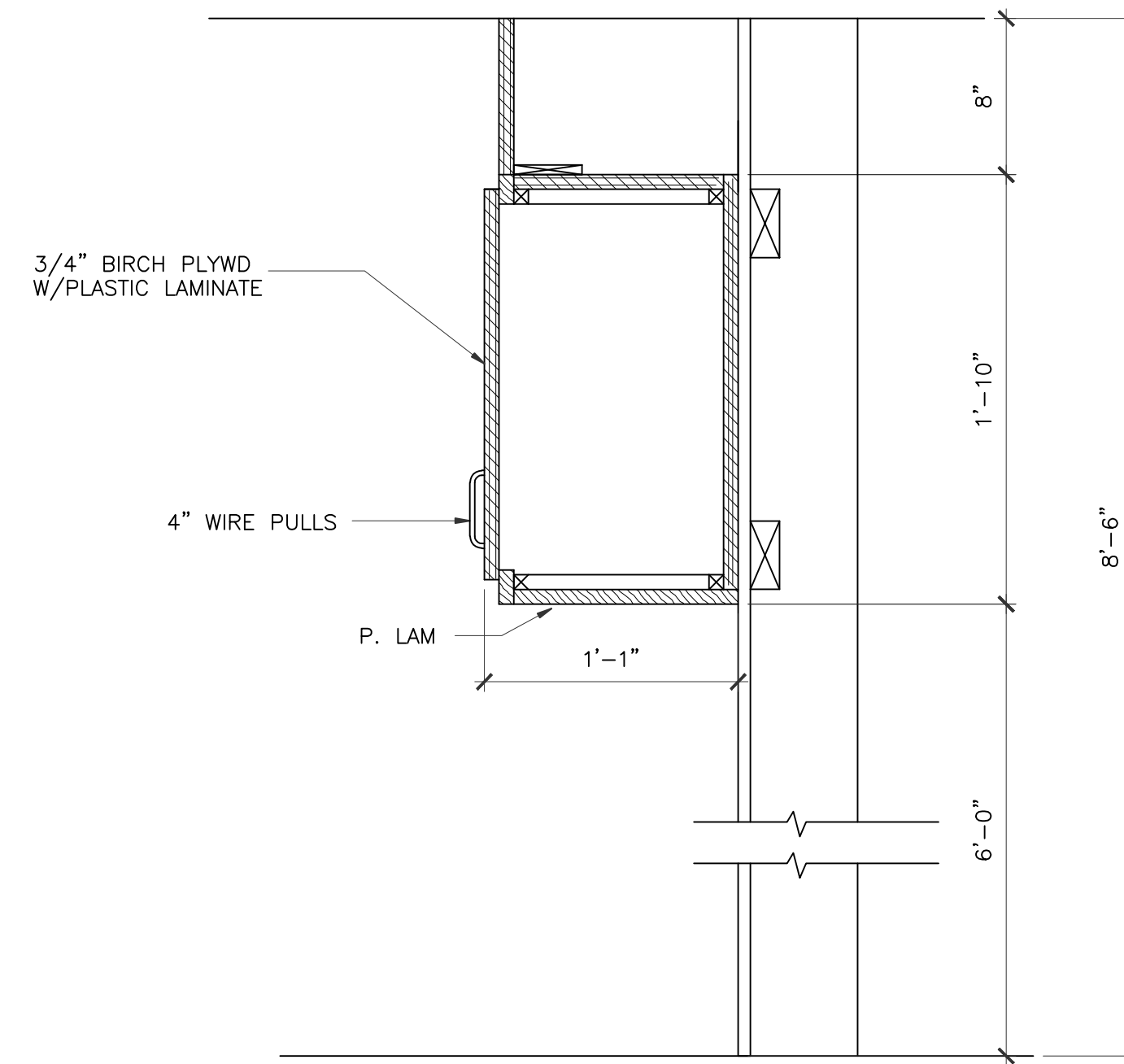


1 MILLWORK SECTION
SCALE: 1 1/2"=1'-0"
CLASSROOM #100, #150, #200

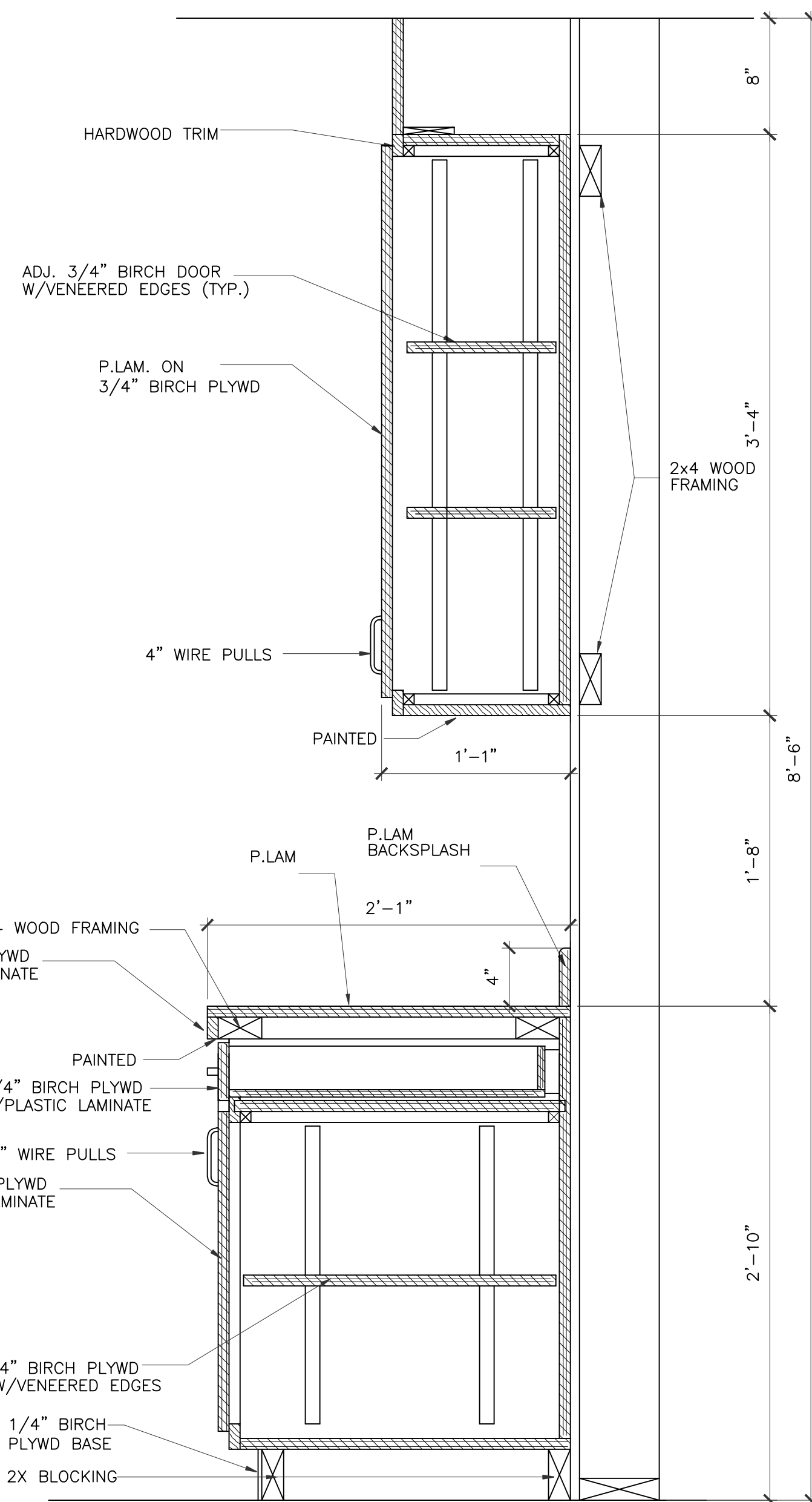


2 MILLWORK SECTION
SCALE: 1 1/2"=1'-0"
CLASSROOM #100, #150, #200

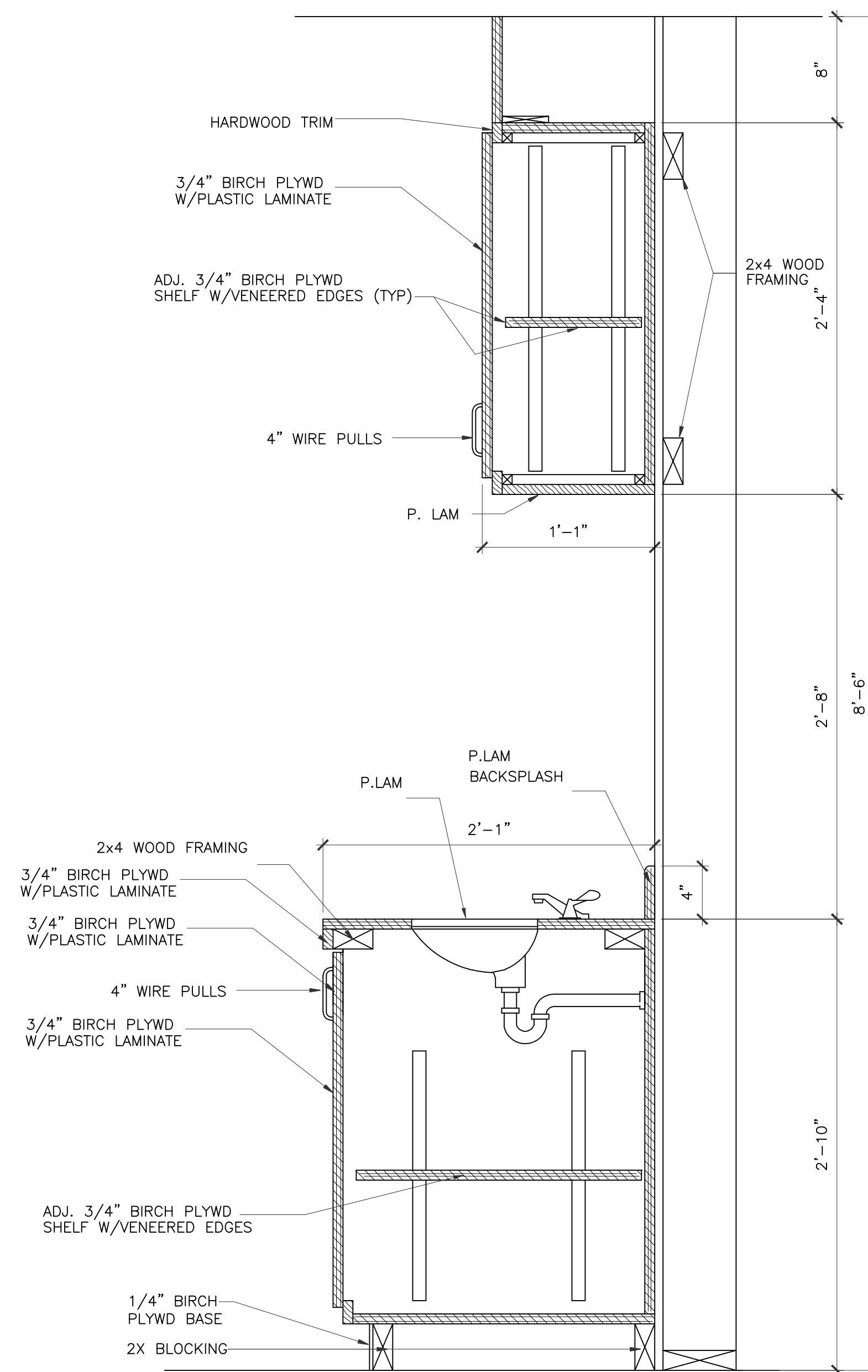
NOTE:
THESE DIMENSIONS MUST BE MAINTAINED TO MEET ADA REQUIREMENTS



5 MILLWORK SECTION
SCALE: 1 1/2"=1'-0"
CLASSROOM #100, #150, #200



3 MILLWORK SECTION
SCALE: 1 1/2"=1'-0"
CLASSROOM #100, #150, #200



4 MILLWORK SECTION
SCALE: 1 1/2"=1'-0"
CLASSROOM #100, #150, #200

P. LAM Counter Top, Splash AND Return:
Pionite Phantasy PH 7001

P. LAM Cabinet: Wilsonart Skylite Walnut
7964

REVISIONS AND ISSUANCE		
NO.	DATE	DESCRIPTION
1	07/20/2018	
2	09/03/2018	PRING ADDENDUM 3

Ivy Kids Early Learning Center
300 N. COIT ROAD
McKinney Texas 75035

Developer
K&R Frisco Ivy LLC
joy@southerngraceclothing.com

Civil Engineer
Structural Engineer
Mission Engineering, Inc.
10370 Richmond Ave.
Houston Tx. 77072
713 981 0018

MEP
CT Keng
832 452 5370



J C CHENG ARCHITECT
TX Reg. Arch No. 09305
jc@jccarch.com

DRAWN BY	CHECKED BY
DATE	JOB NO.
05052018	mckinney-1

DRAWING TITLE

MILLWORK SECTIONS

DRAWING NO.

A-8.0