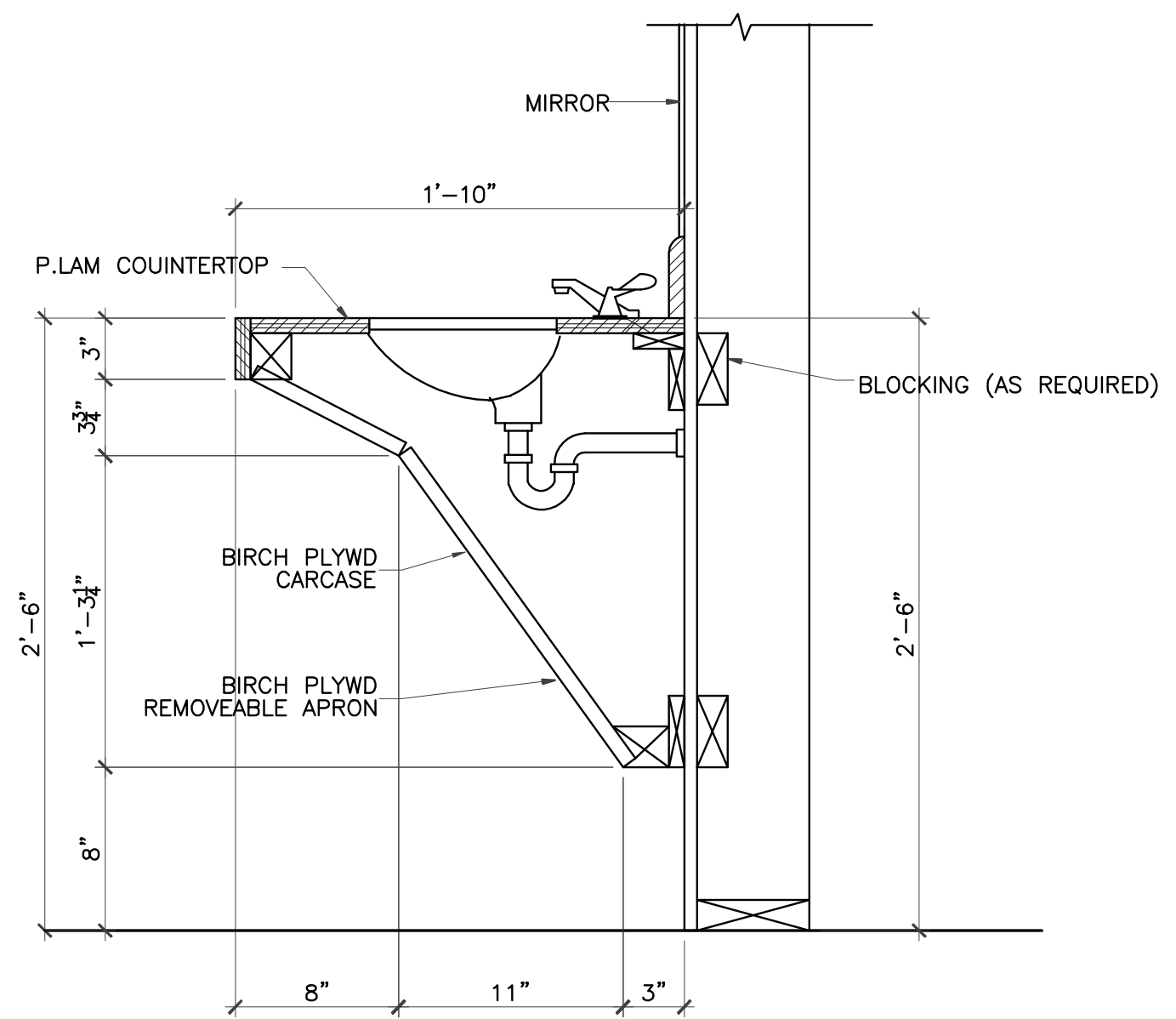
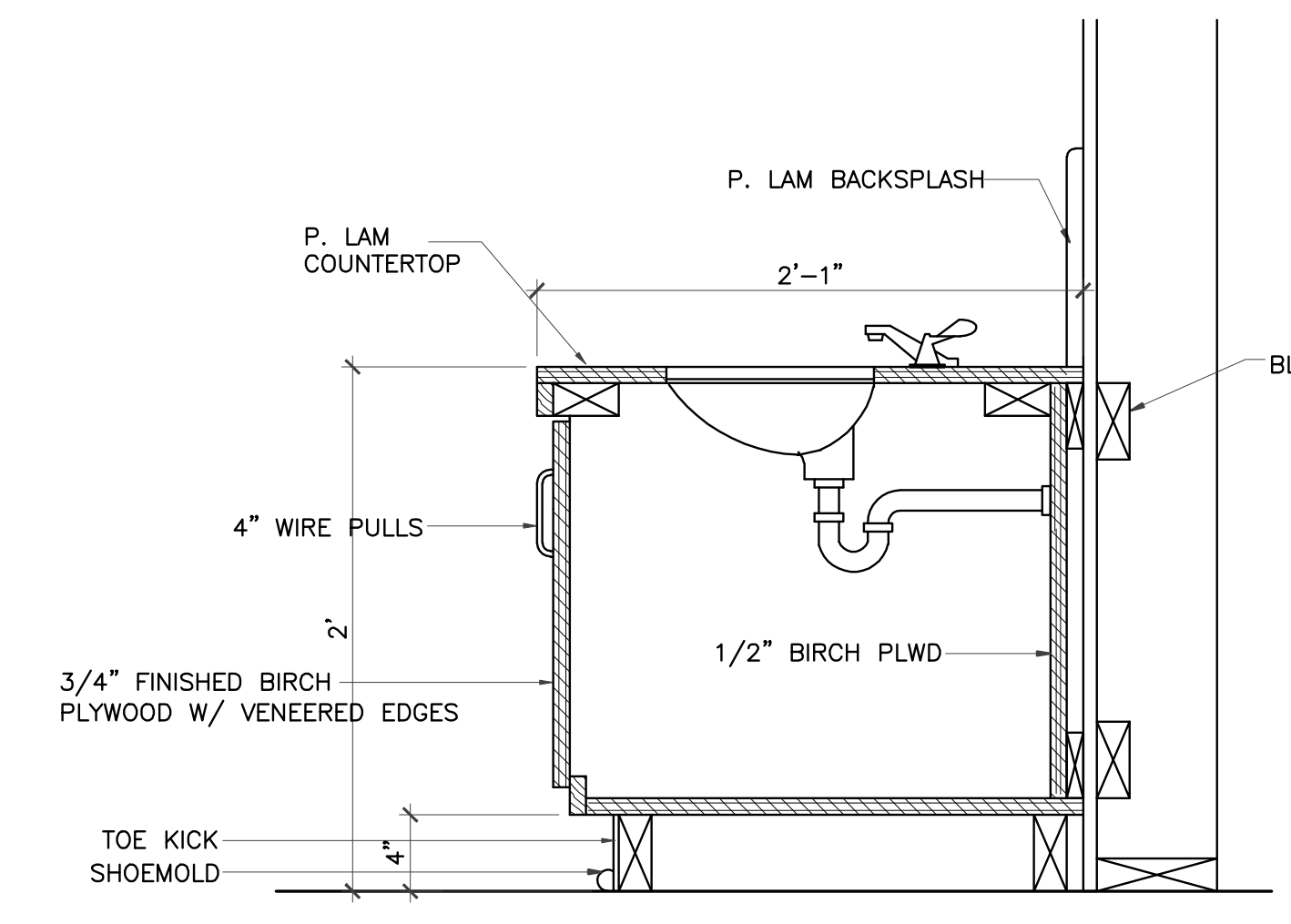


REVISIONS AND ISSUANCE		
NO.	DATE	DESCRIPTION
1	08/13/2017	PRICING

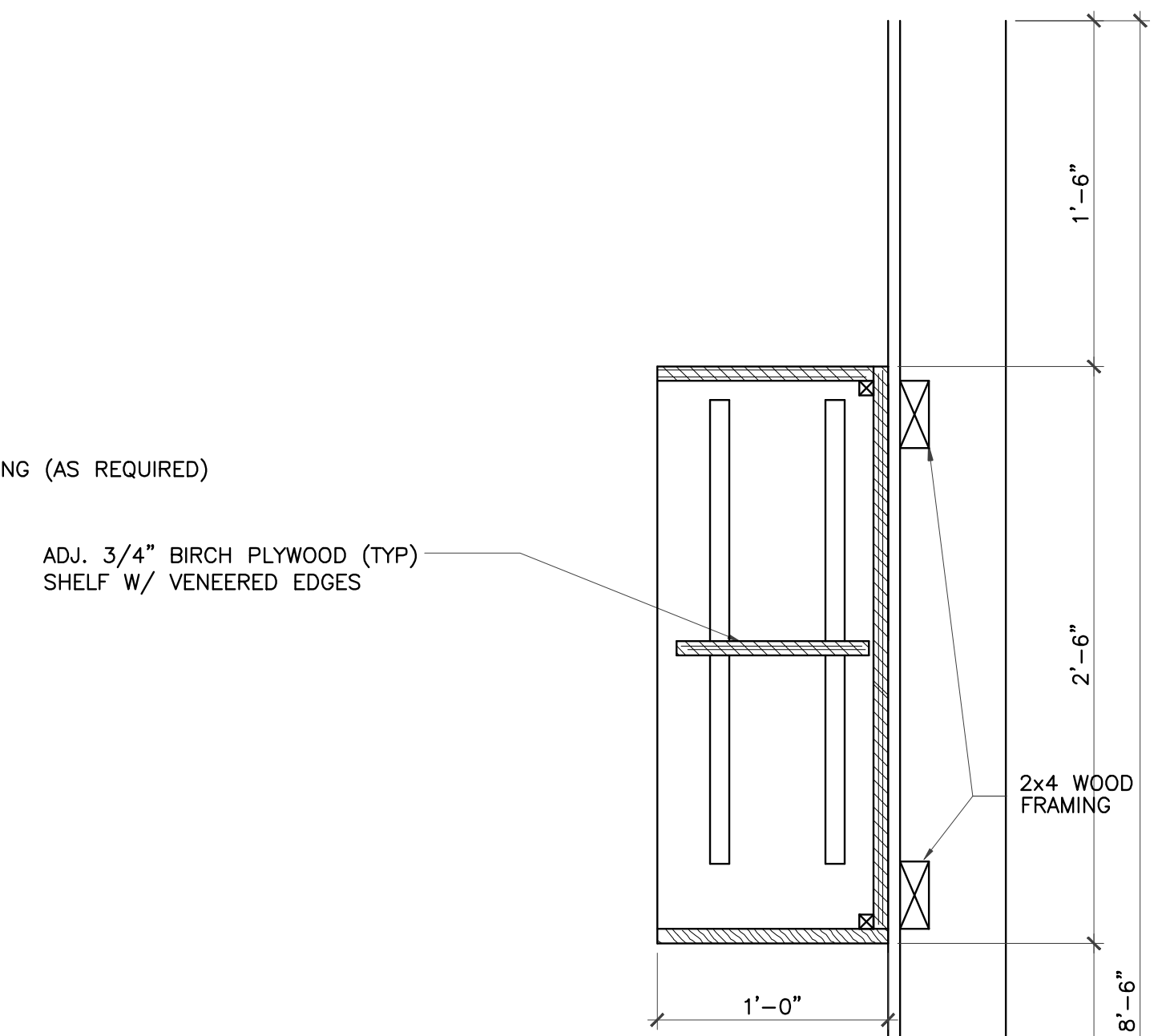


1 MILLWORK SECTION
 SCALE: 1 1/2"=1'-0"
 CLASSROOM #250, #300, #350, #400, #450, #500, #550, ACTIVITY ROOM

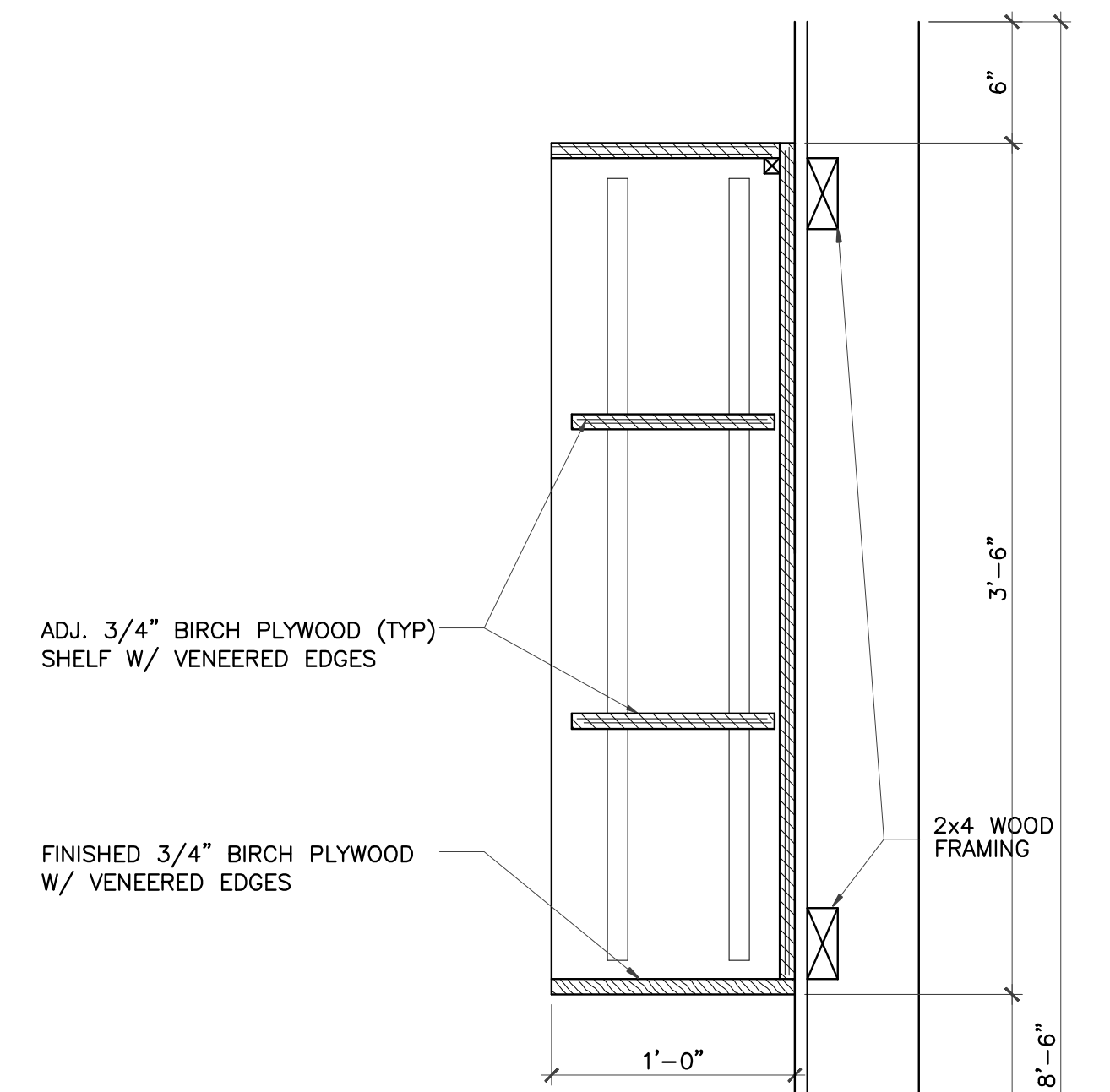
NOTE:
 THESE DIMENSIONS MUST BE MAINTAINED
 TO MEET ADA REQUIREMENTS



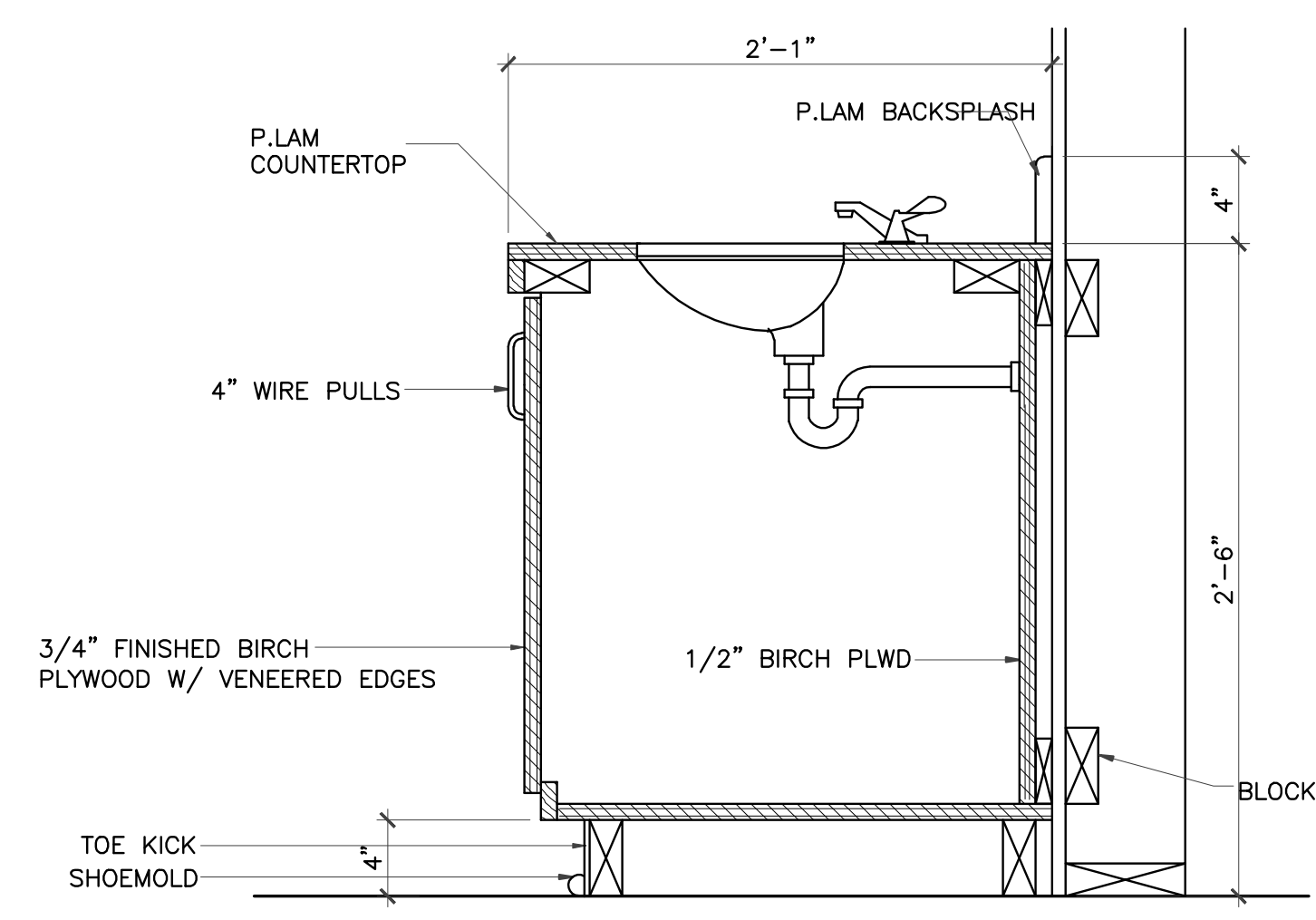
2 MILLWORK SECTION
 SCALE: 1 1/2"=1'-0"
 CLASSROOM #200, #250, #300, #350



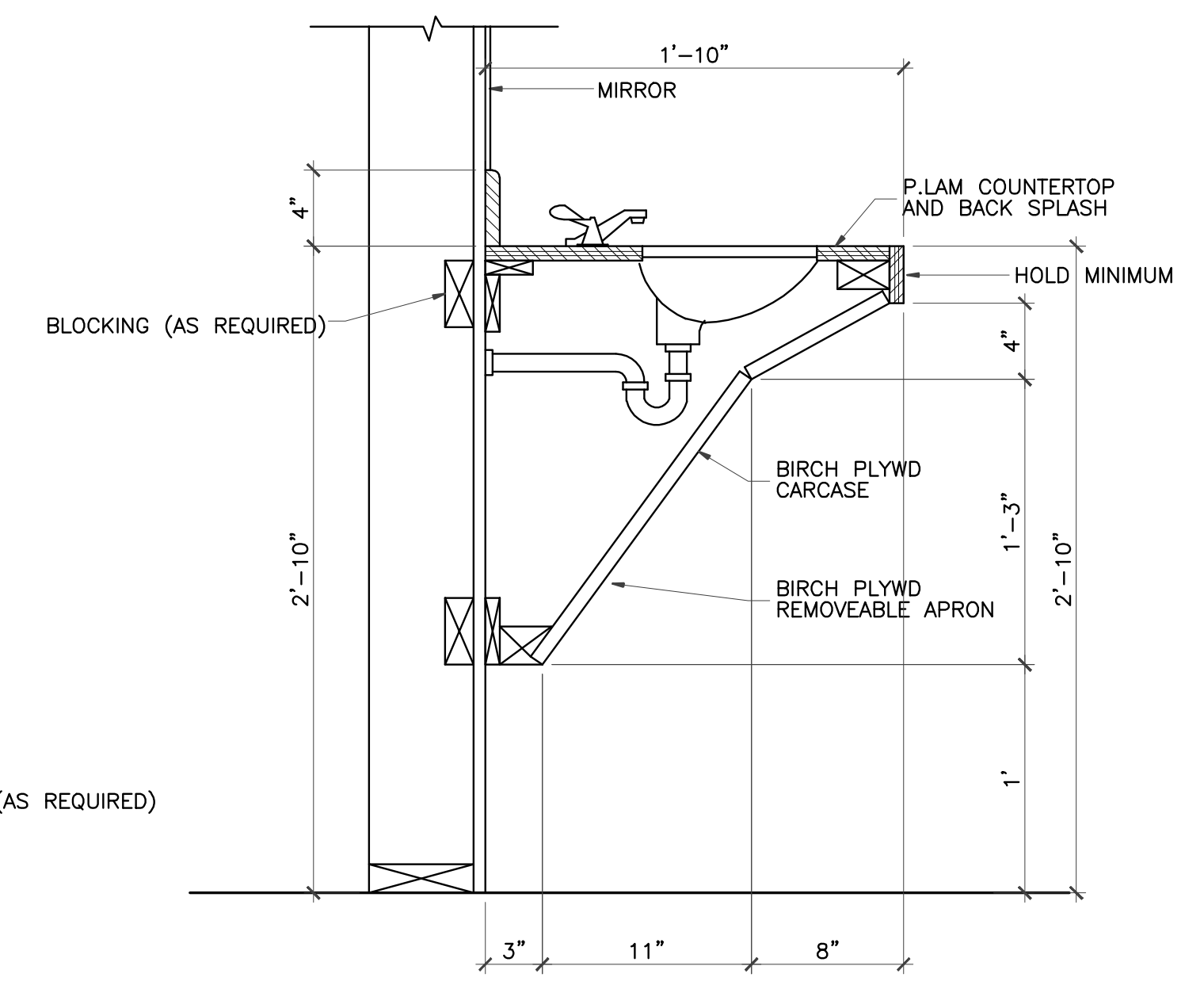
7 MILLWORK SECTION
 SCALE: 1 1/2"=1'-0"
 CLASSROOM #250



8 MILLWORK SECTION
 SCALE: 1 1/2"=1'-0"
 CLASSROOM #450

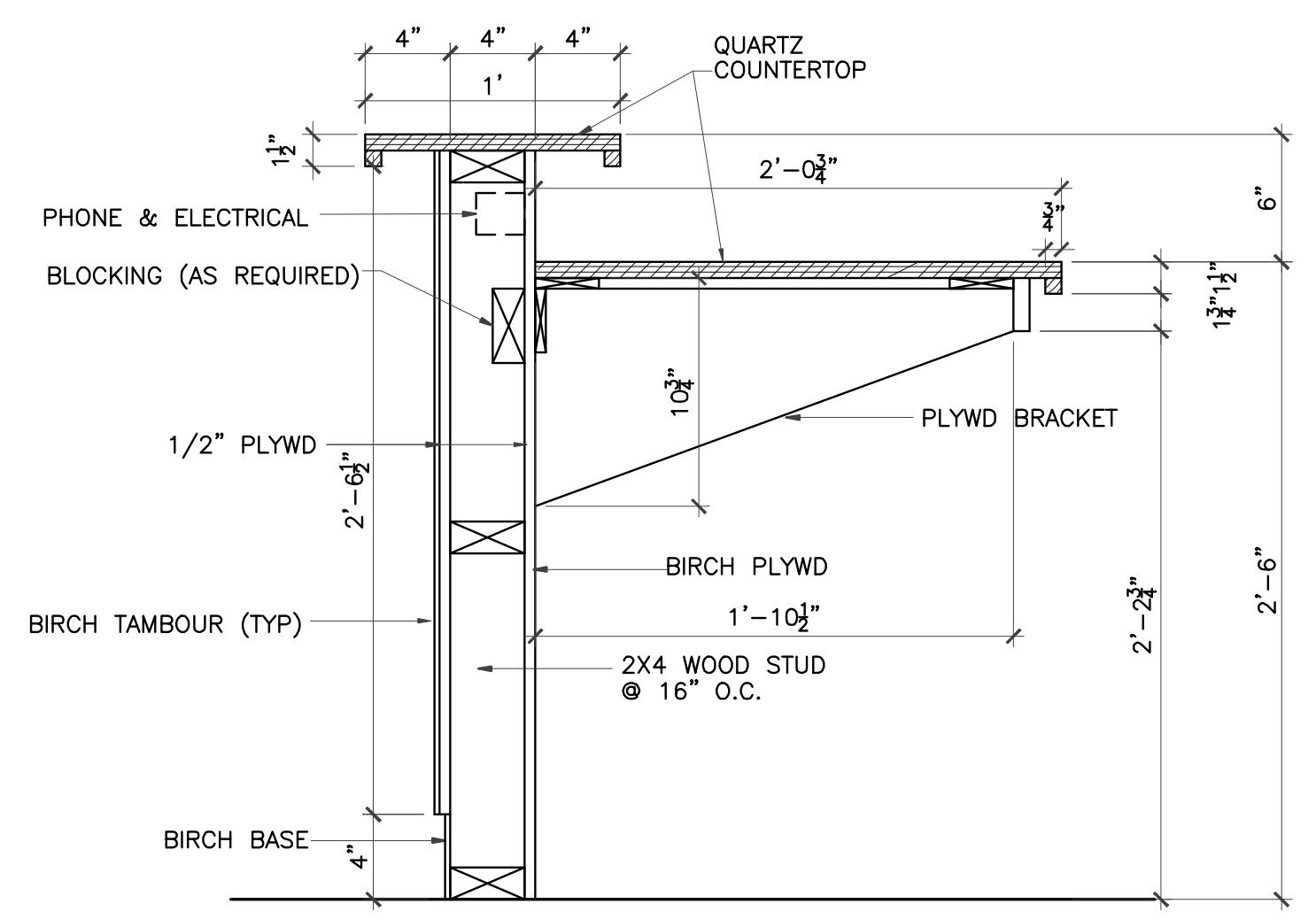


3 MILLWORK SECTION
 SCALE: 1 1/2"=1'-0"
 CLASSROOM #400, #450, #500, #550, ACTIVITY ROOM

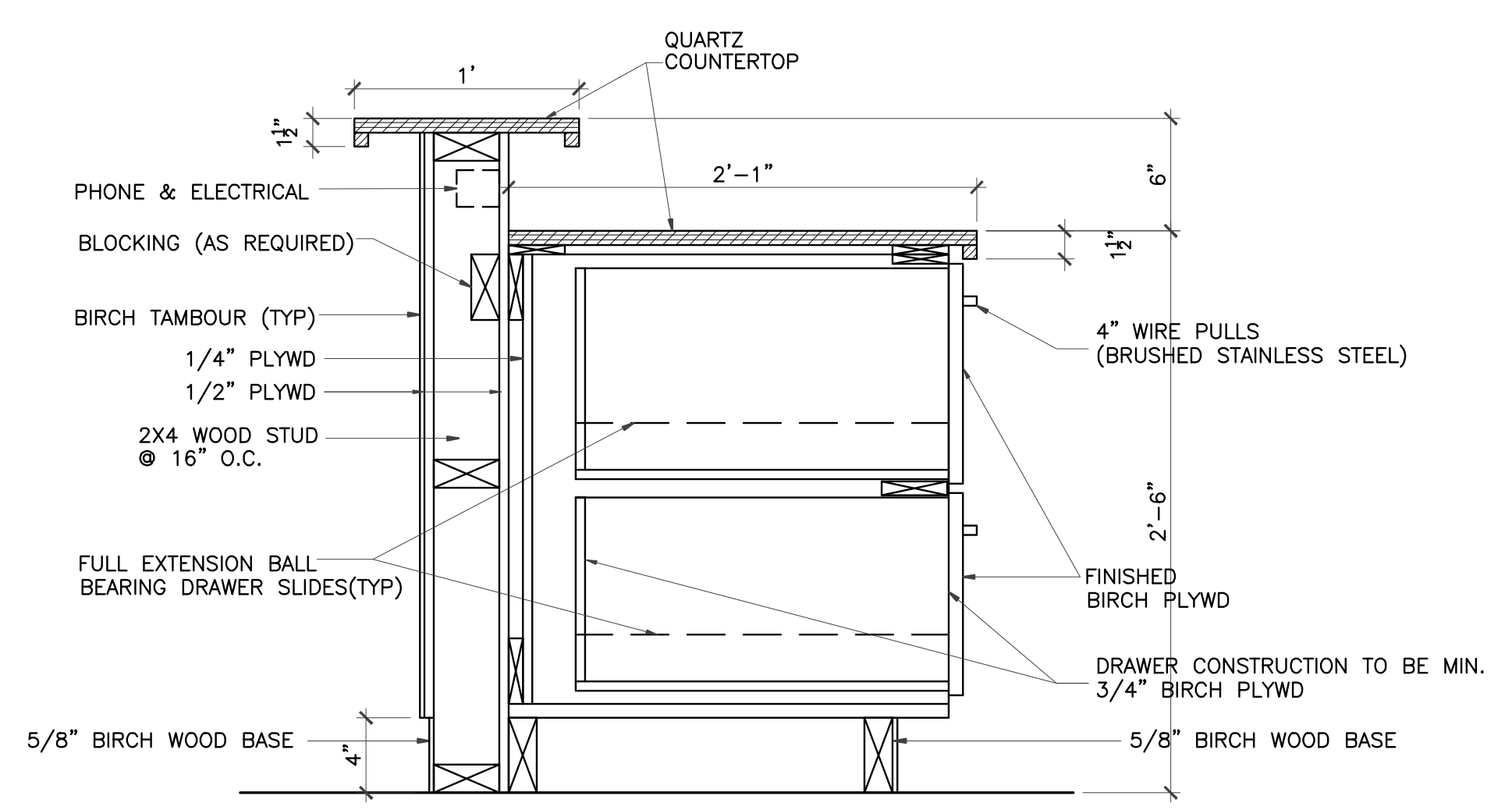


4 MILLWORK SECTION
 SCALE: 1 1/2"=1'-0"
 LUNCHROOM RESTROOM,

NOTE:
 THESE DIMENSIONS MUST BE MAINTAINED
 TO MEET ADA REQUIREMENTS

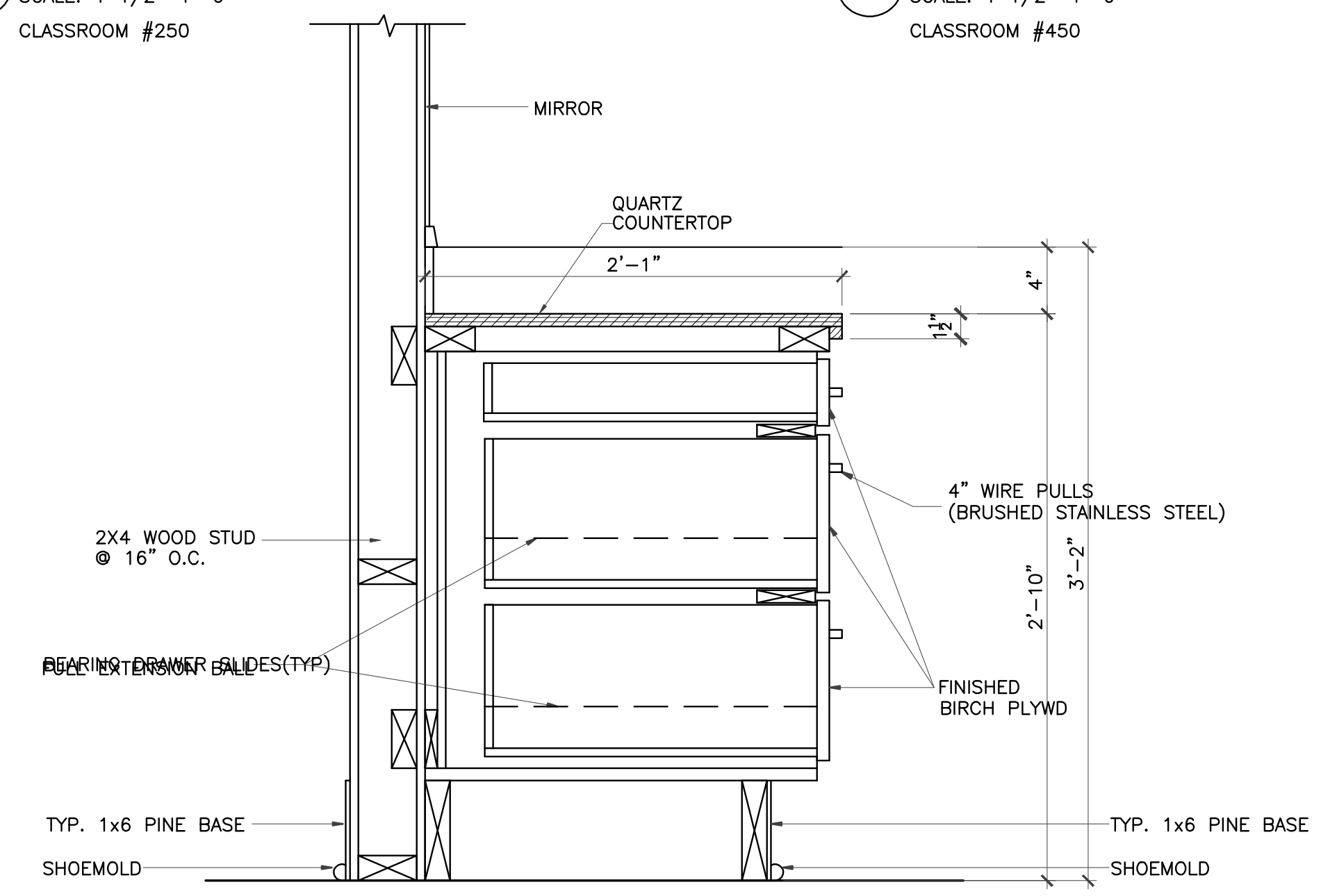


5 MILLWORK SECTION
 SCALE: 1 1/2"=1'-0"
 RECEPTION



6 MILLWORK SECTION
 SCALE: 1 1/2"=1'-0"
 RECEPTION

NOTE:
 EDGE/BAND ALL EXPOSED (VISIBLE) EDGES
 ON DRAWER AND CABINET FACES.



9 MILLWORK SECTION
 SCALE: 1 1/2"=1'-0"
 RECEPTION

IVY KIDS EARLY LEARNING CENTER
 4434 CR 94
 Manvel, Tx 77578



DRAWING TITLE	
MILLWORK SECTIONS	
DRAWN BY	CHECKED BY
DATE	JOB NO.
DRAWING NO.	

A-8.1