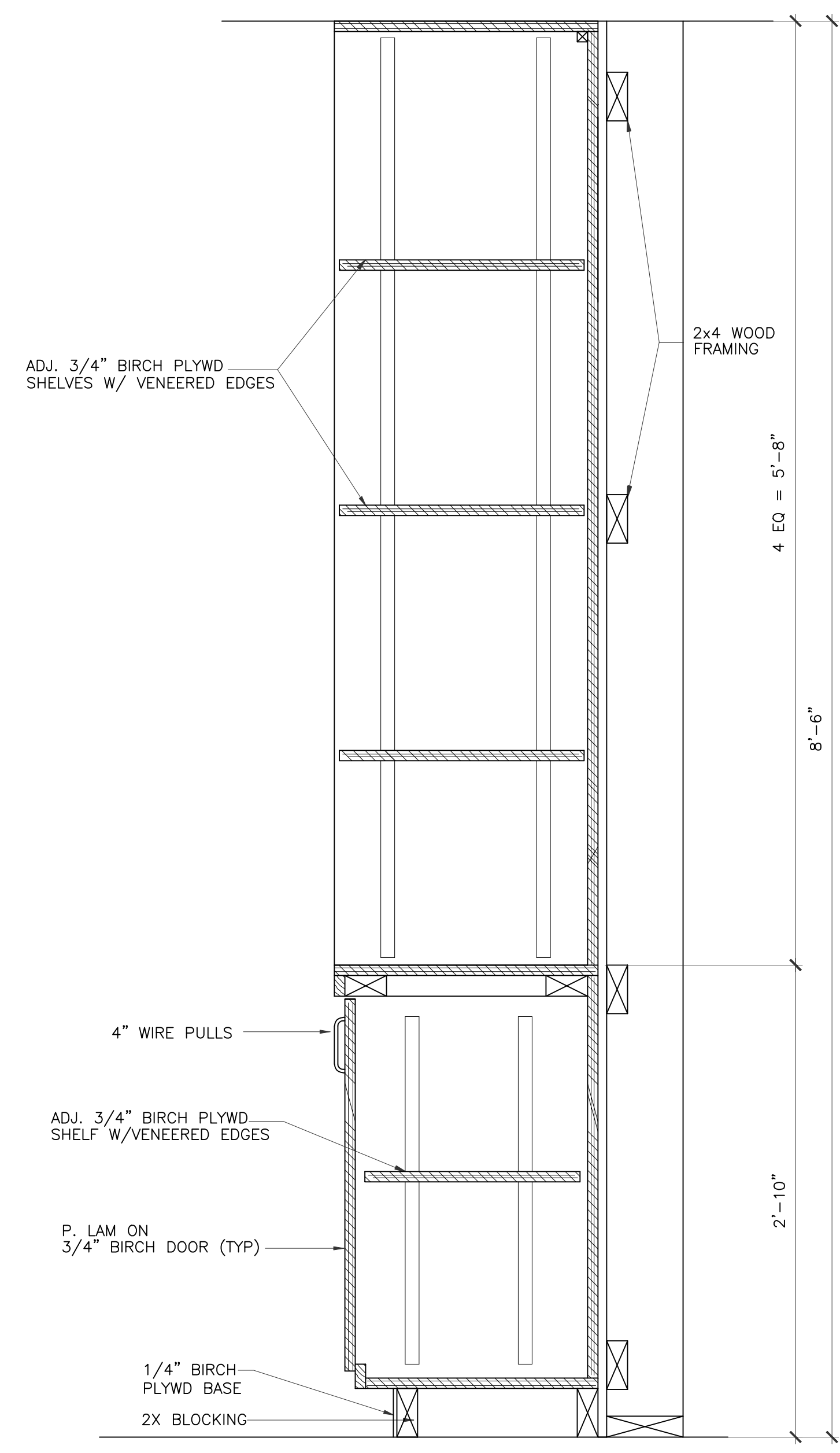
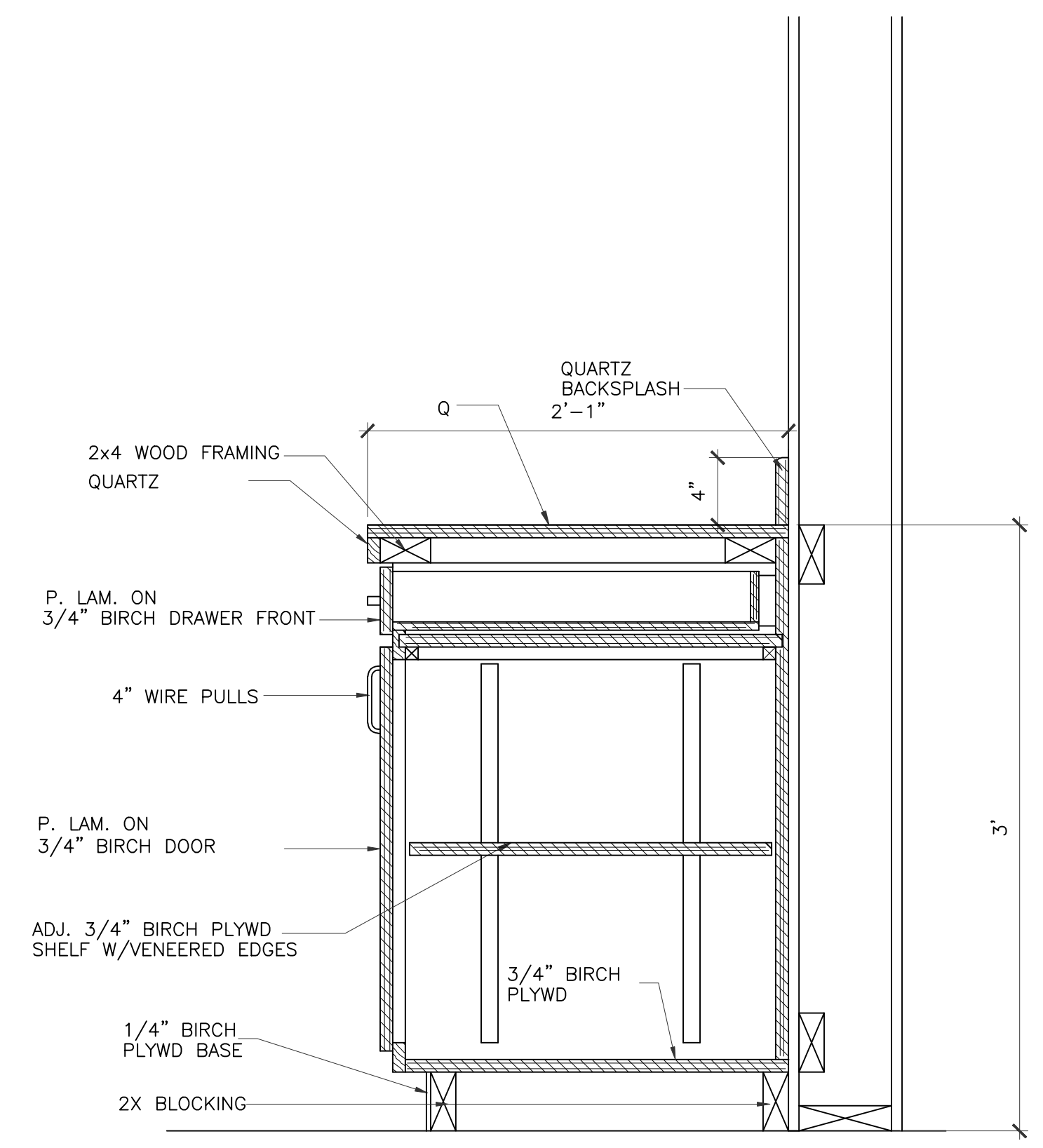


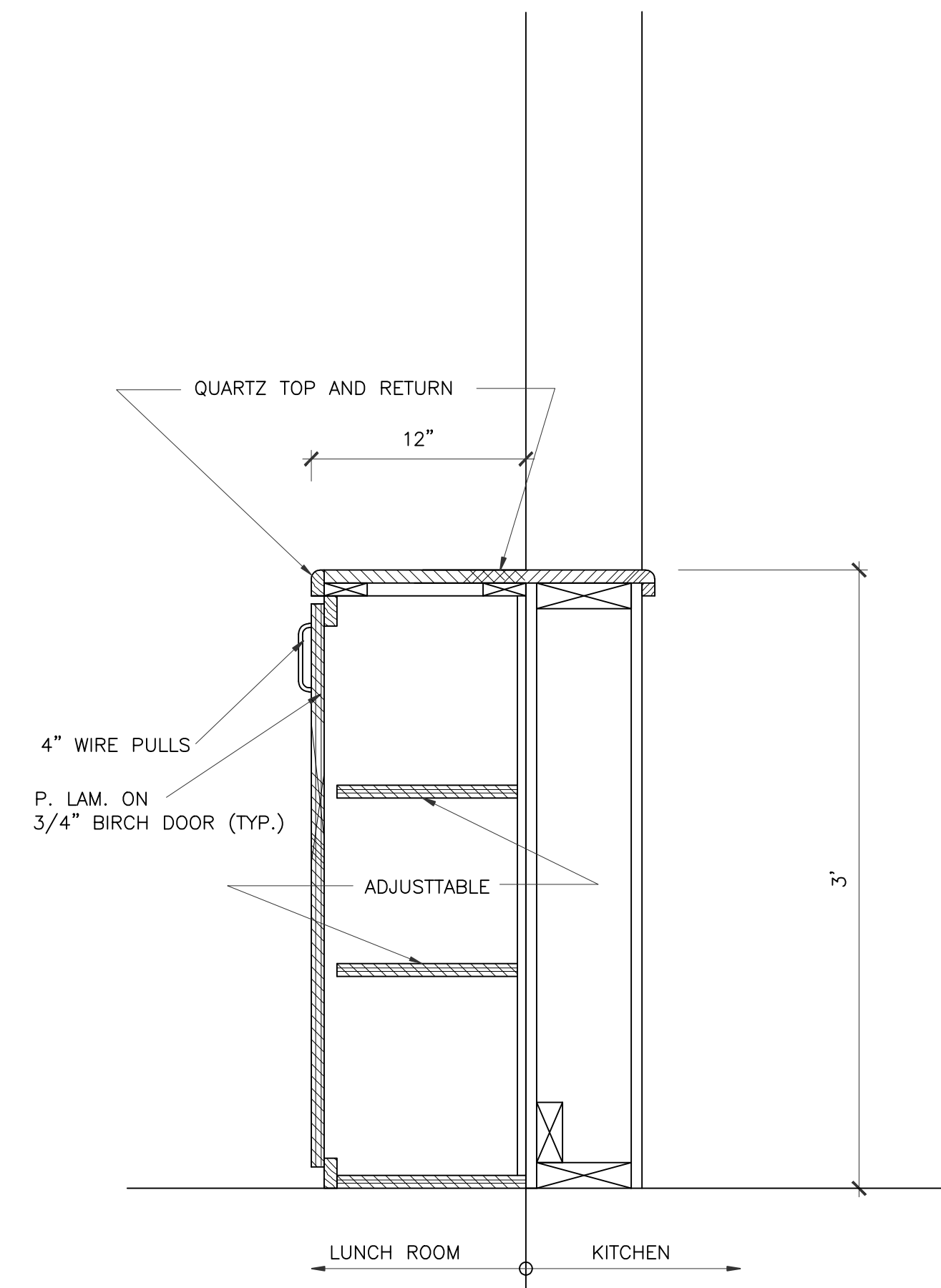
REVISIONS AND ISSUANCE		
NO.	DATE	DESCRIPTION
1	08/13/2017	PRICING
2	09/03/2018	ADDENDUM 3



1 MILLWORK SECTION
SCALE: 1 1/2"=1'-0"
RECEPTION



2 MILLWORK SECTION
SCALE: 1 1/2"=1'-0"
KITCHEN



3 MILLWORK SECTION
SCALE: 1 1/2"=1'-0"
KITCHEN/LUNCH ROOM

IVY KIDS EARLY LEARNING CENTER
4434 CR 94
Manvel, Tx 77578



DRAWING TITLE	
MILLWORK SECTIONS	
DRAWN BY	CHECKED BY
DATE	JOB NO.
DRAWING NO.	

A-8.2