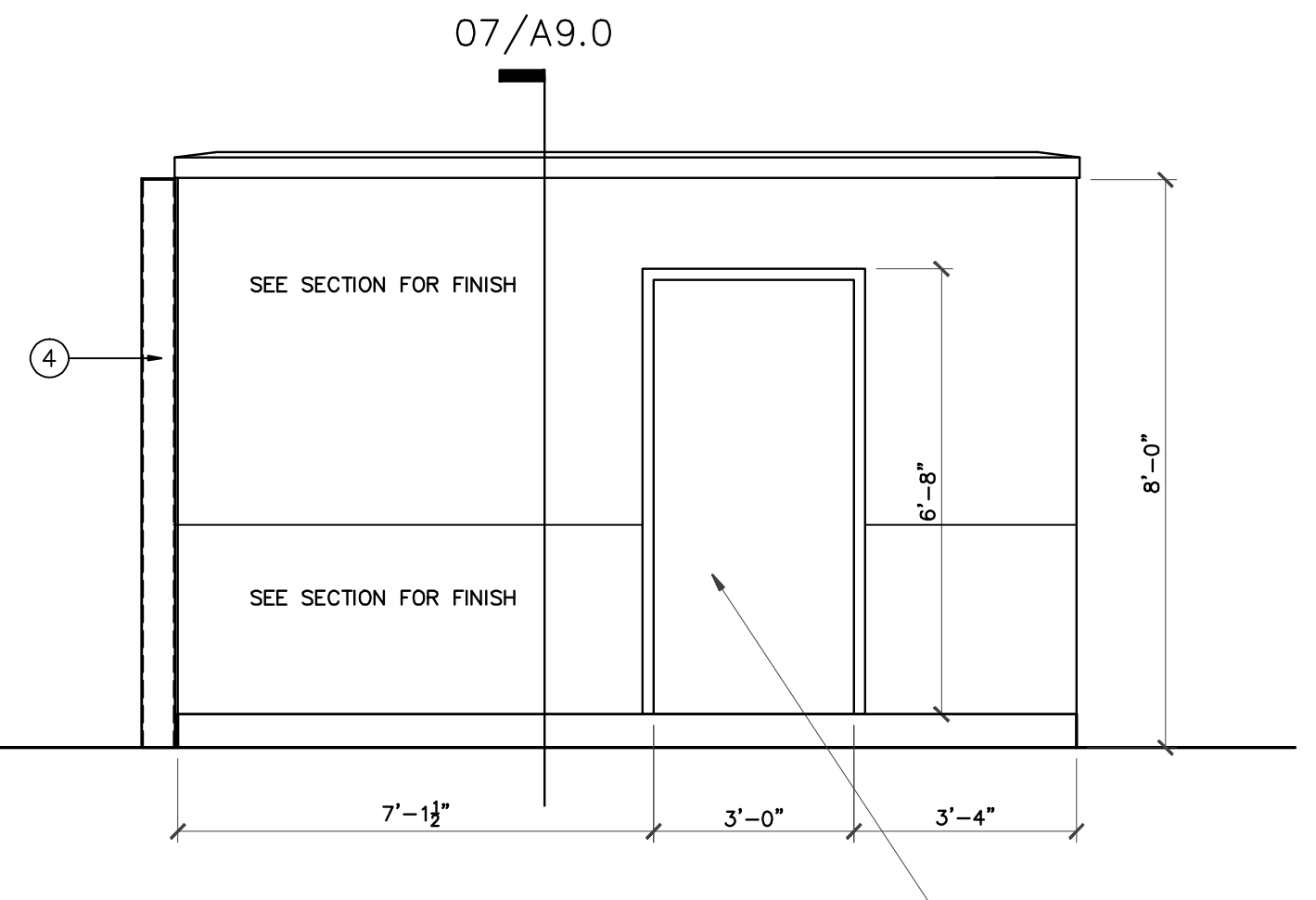
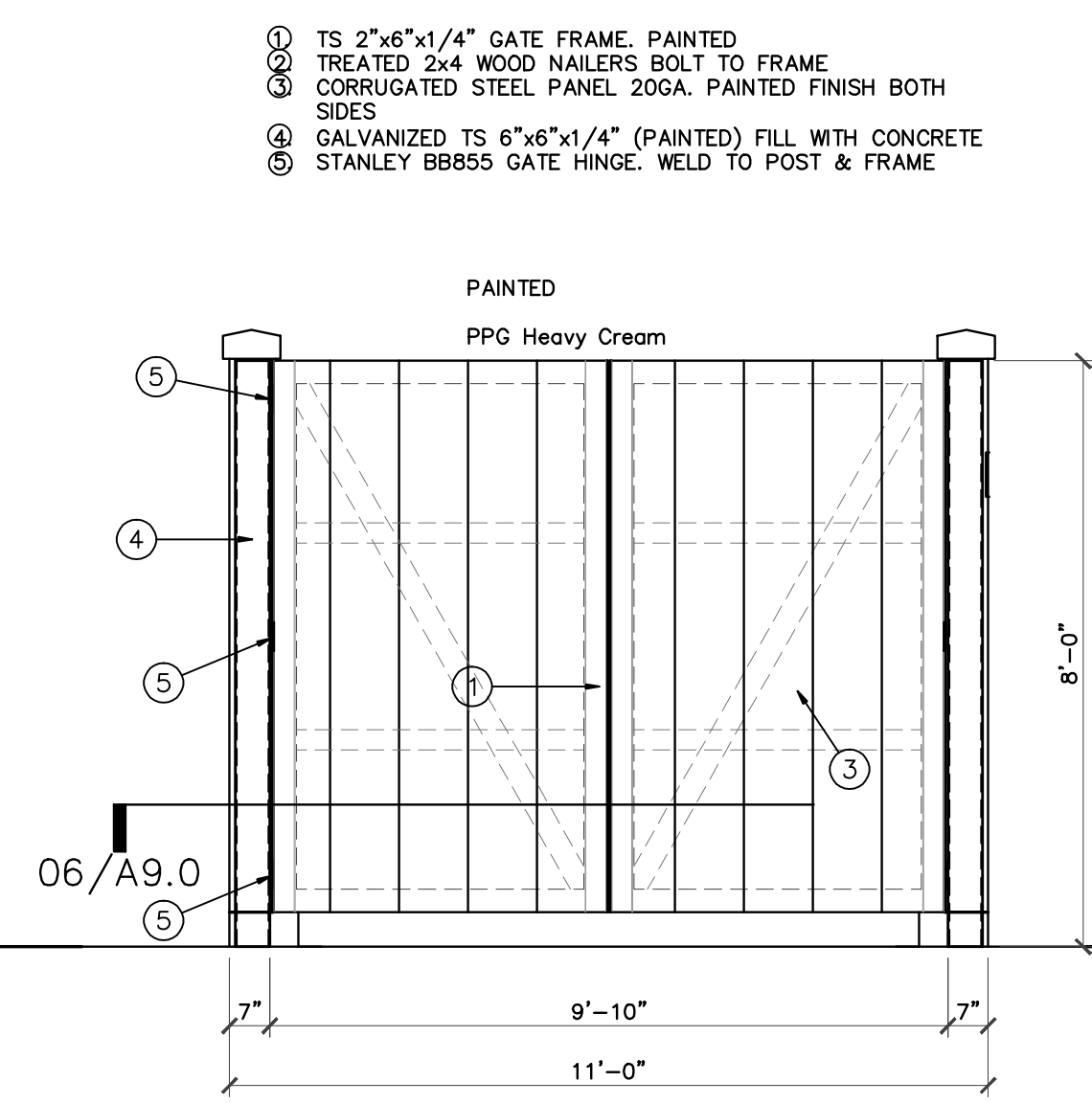
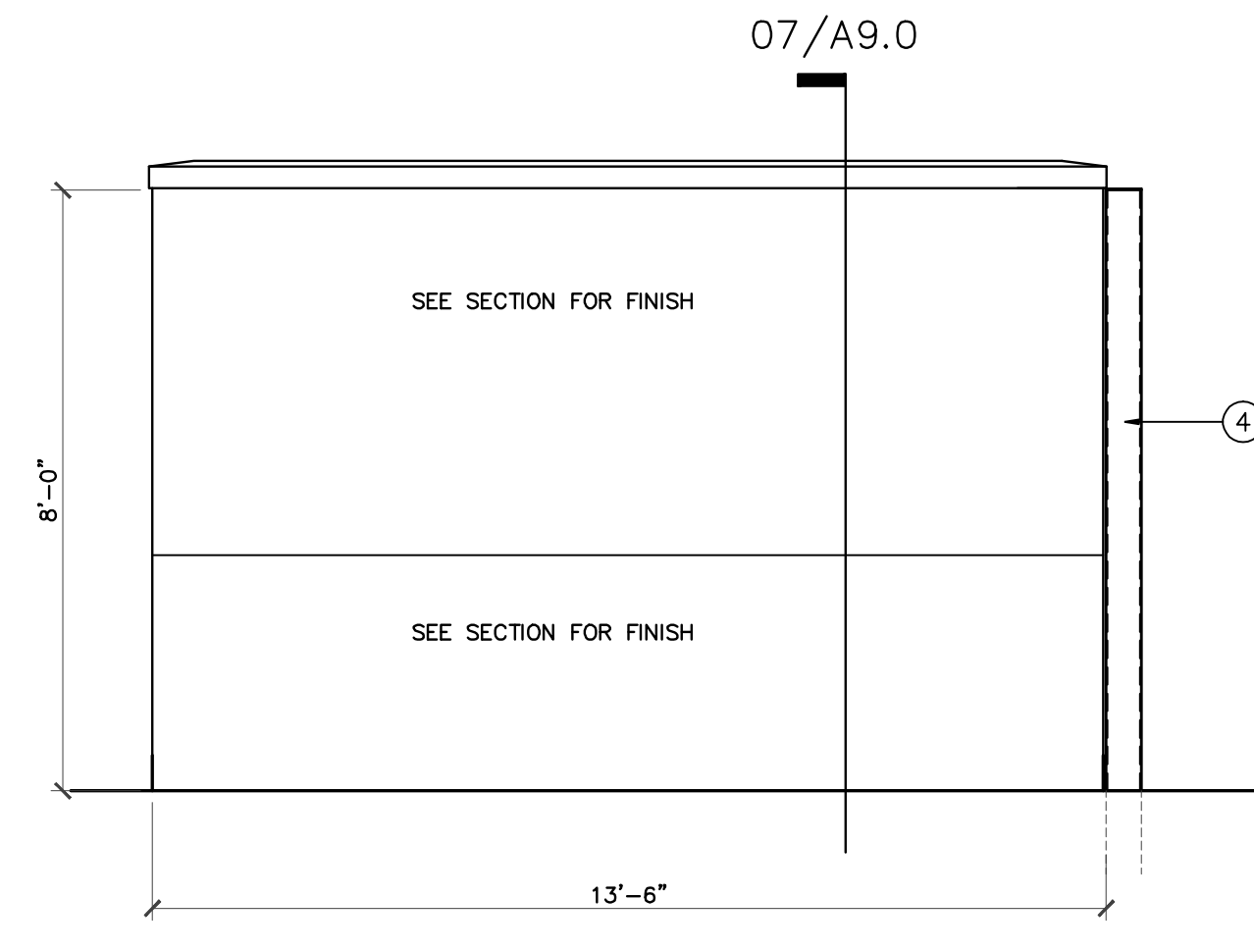
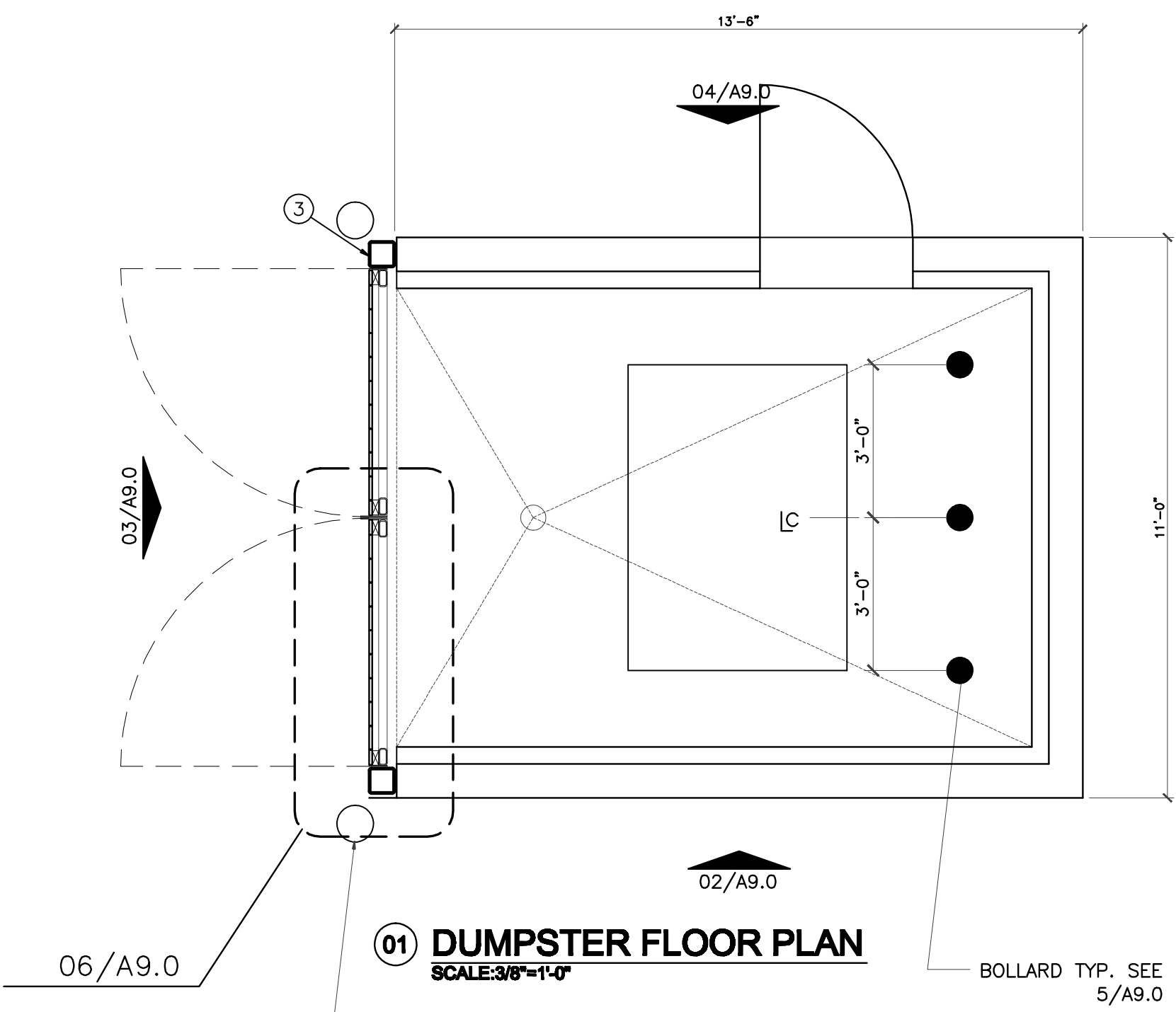


REVISIONS AND ISSUANCE		
NO.	DATE	DESCRIPTION
1	08/13/2017	PRICING

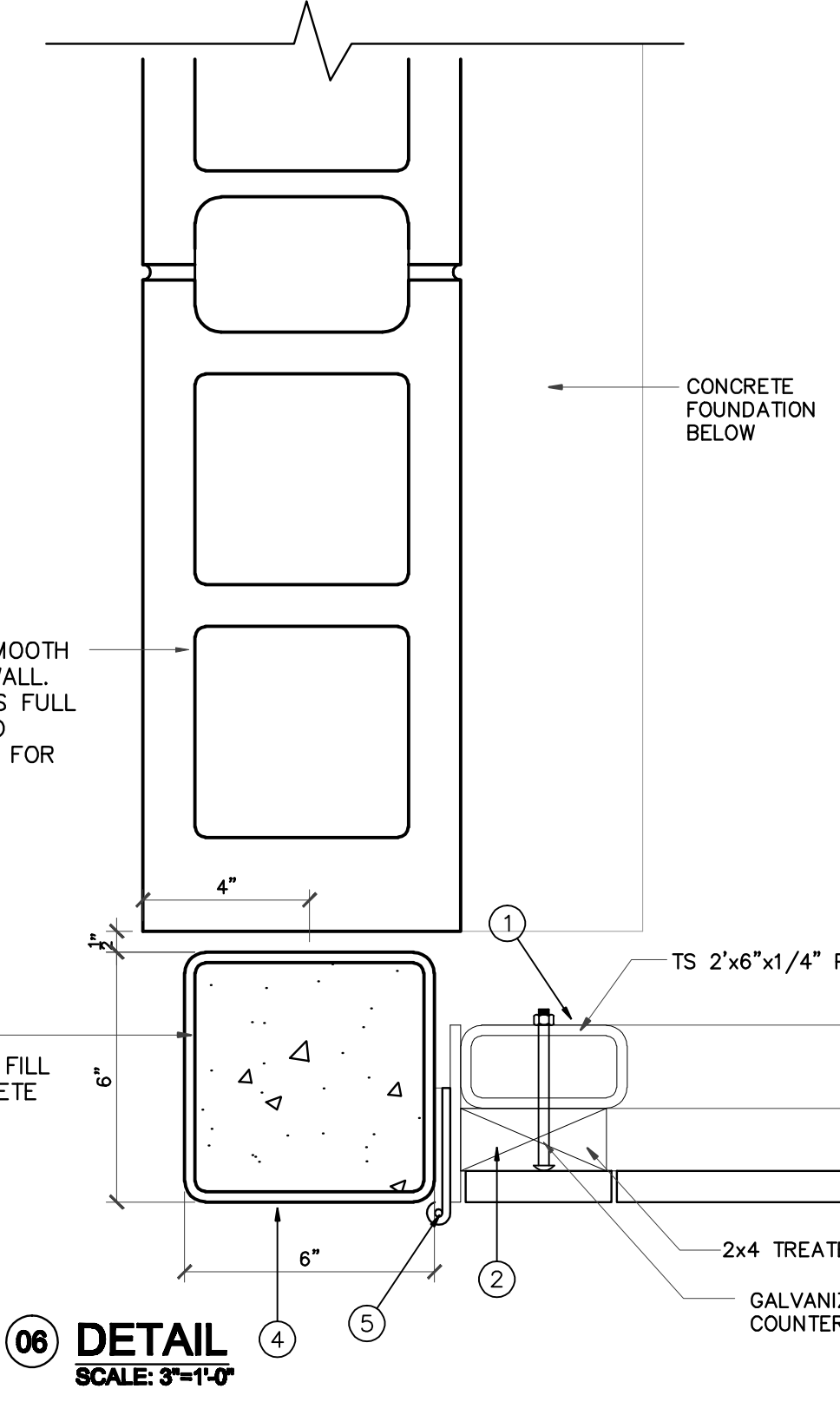
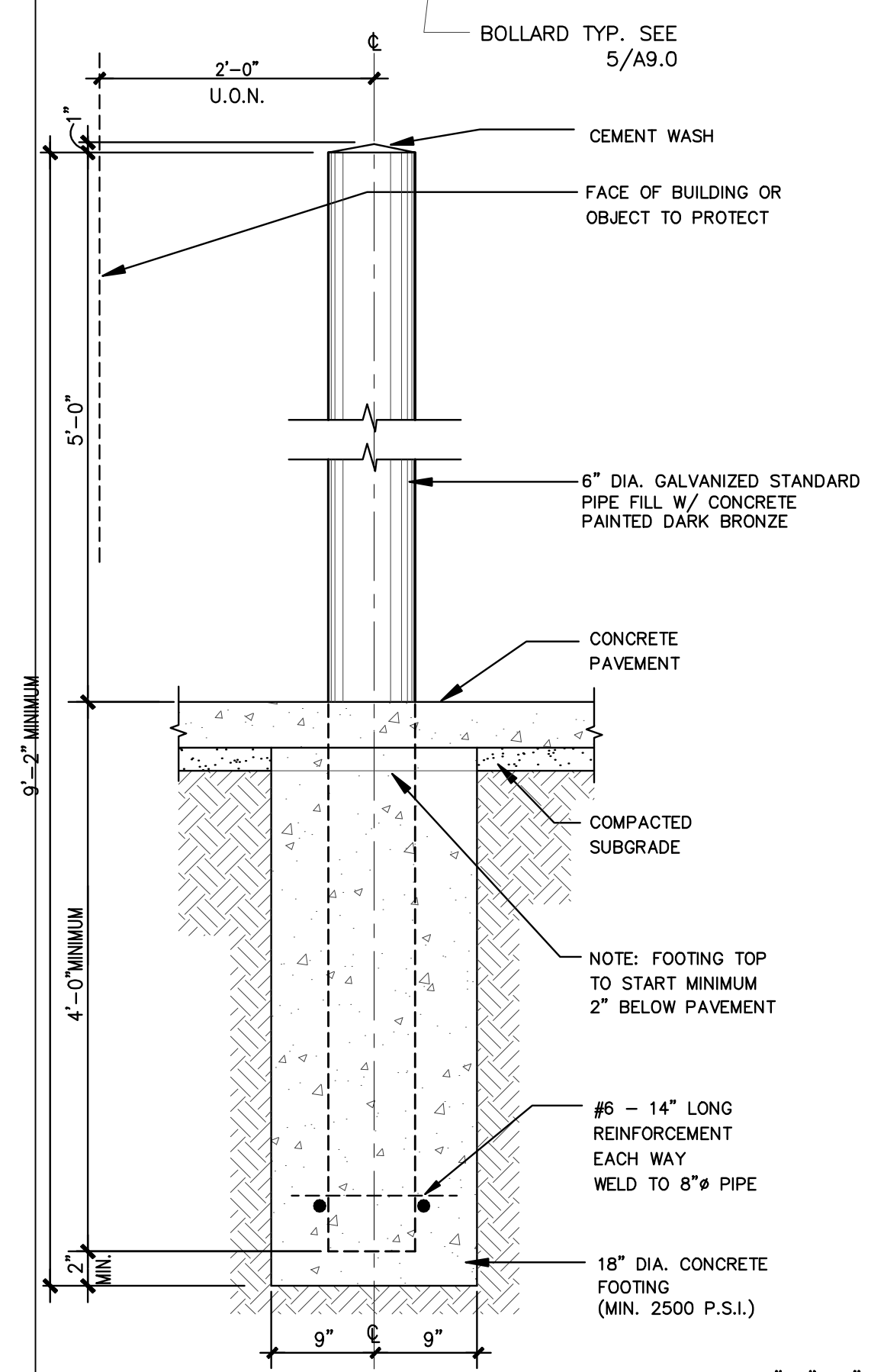
IVY KIDS EARLY LEARNING CENTER
4434 CR 94
Manvel, Tx 77578



DRAWING TITLE
DUMPSTER ENCLOSURE PLAN, ELEV., & DETAILS
 DRAWN BY: JC
 CHECKED BY: JC
 DATE: 03/30/2017
 JOB NO.: gleannloch
 DRAWING NO.: **A-9.0**

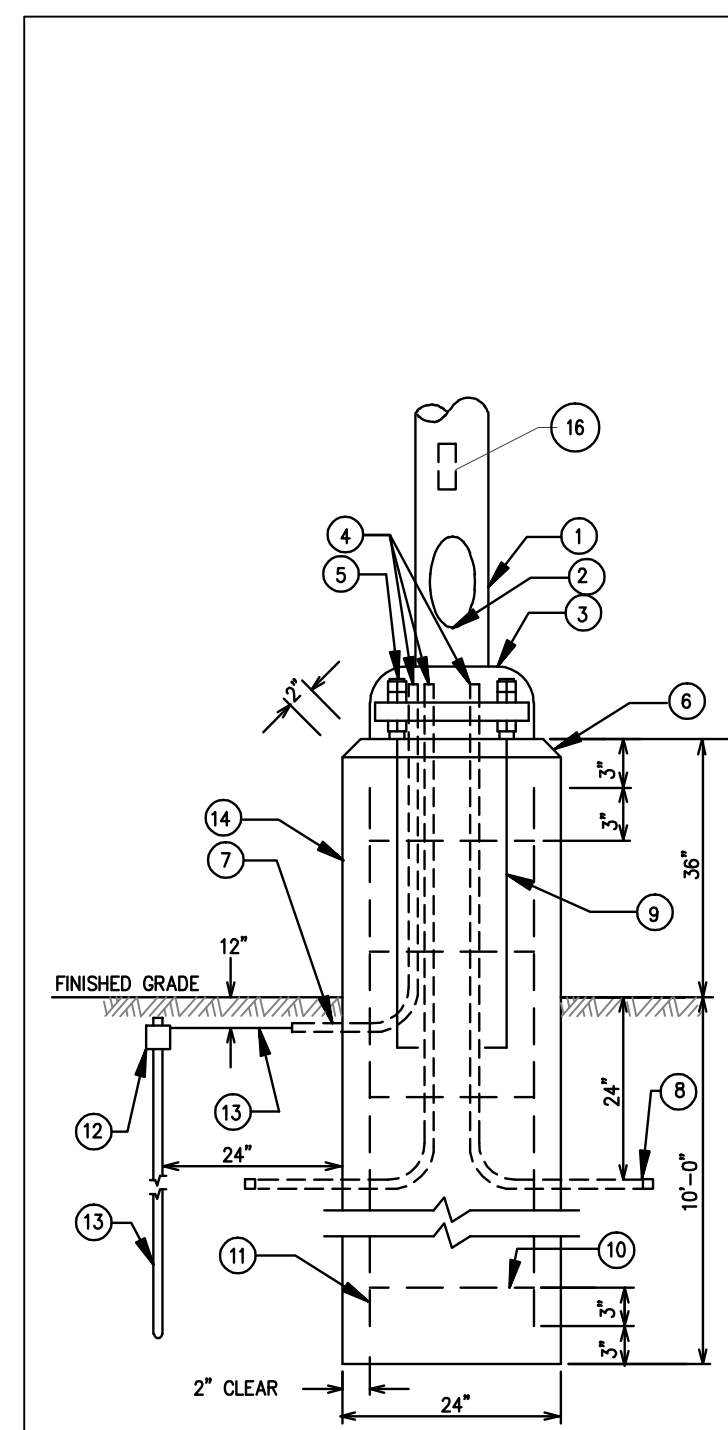


3'x7'H HOLLOW METAL DOOR AND FRAME, PAINTED TO MATCH BUILDING MAIN STUCCO COLOR

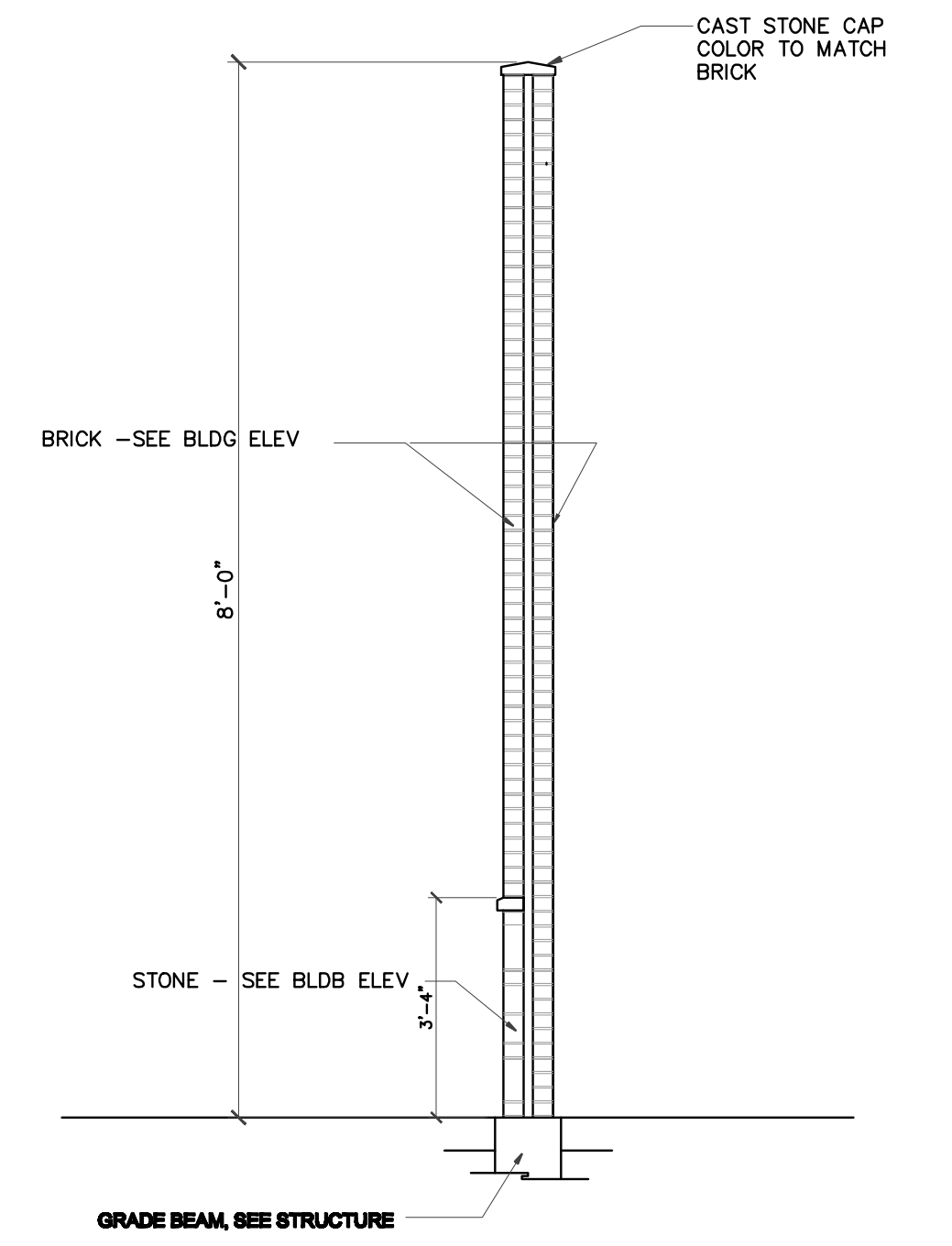


- ① TS 2"x6"x1/4" GATE FRAME, PAINTED
- ② TREATED 2x4 WOOD NAILERS BOLT TO FRAME
- ③ CORRUGATED STEEL PANEL 20GA. PAINTED FINISH BOTH SIDES
- ④ GALVANIZED TS 6"x6"x1/4" (PAINTED) FILL WITH CONCRETE
- ⑤ STANLEY BB855 GATE HINGE, WELD TO POST & FRAME

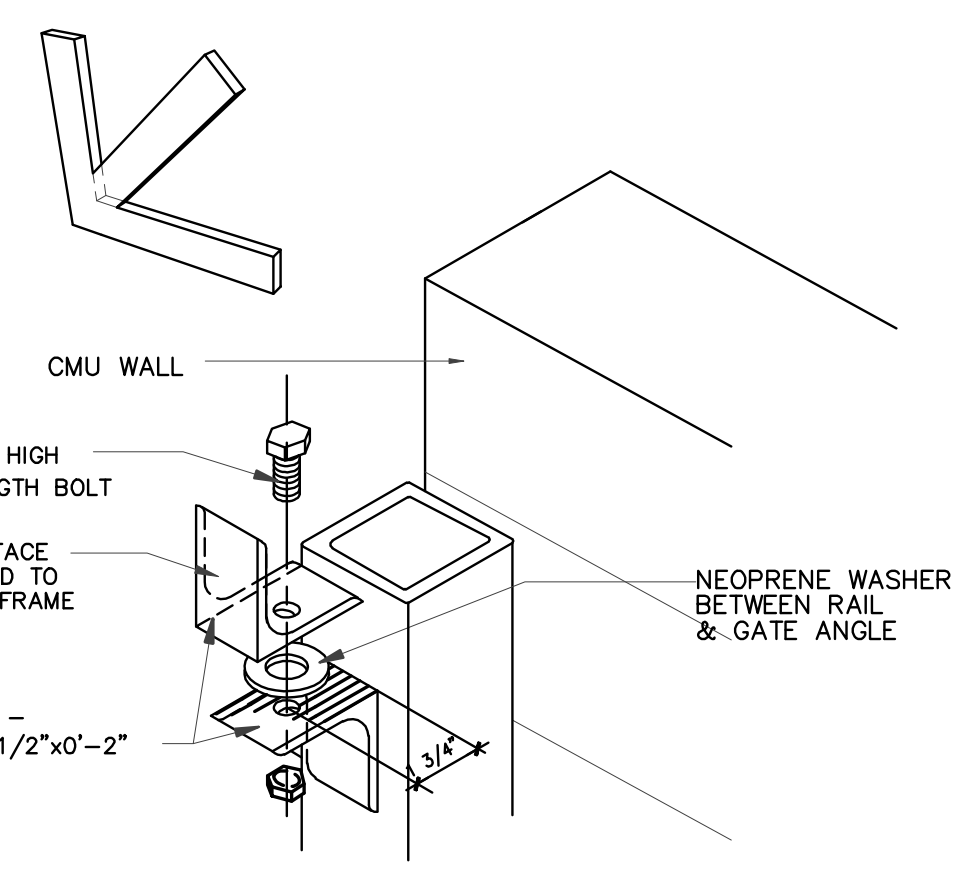
GATES, POSTS, SKIN TO BE PAINTED WITH PPG 1084-4 HAPPY TRAIL



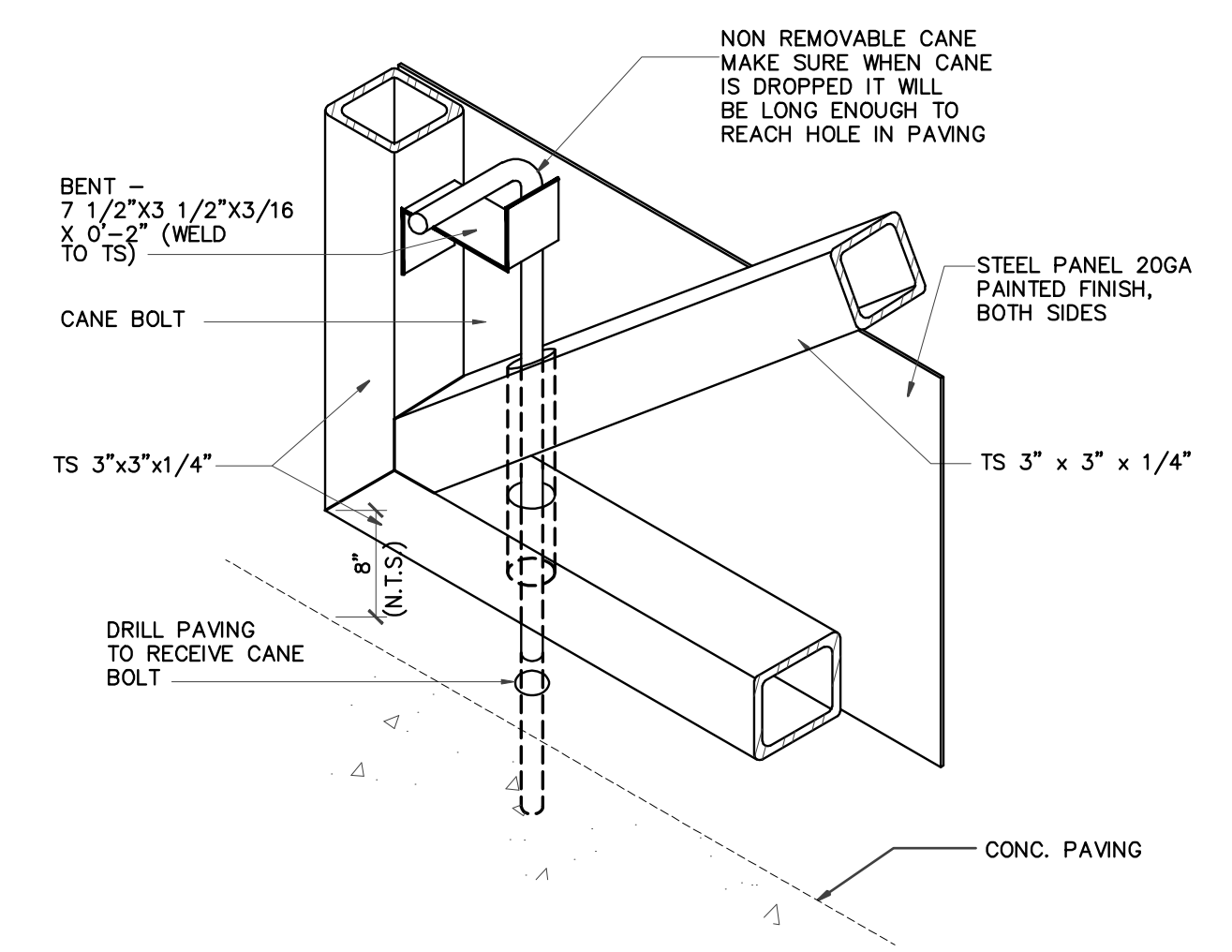
- POLE BASE NOTES:**
- ① LIGHTING STANDARD, PAINT LIGHT GREY
 - ② WIRING ACCESS. PROVIDE INTERIOR GROUNDING LUG ACCESSIBLE FROM OPENING. PROVIDE STAINLESS STEEL COVER WITH STAINLESS STEEL SCREWS.
 - ③ BASE COVER: MATCH MATERIAL OF POLE.
 - ④ CONNECT CONDUITS TO GROUNDING LUG AND GROUNDING CONDUCTOR TO GROUND ROD.
 - ⑤ PROVIDE BOTTOM NUT FOR LEVELING AND DOUBLE NUTS ON TOP.
 - ⑥ CHAMFER EDGES ON BASE.
 - ⑦ 1" RIGID GALVANIZED CONDUIT.
 - ⑧ RIGID GALVANIZED STEEL CONDUIT 12" PAST EDGE OF CONCRETE BASE. PROVIDE CONDUIT TO DUCT ADAPTER.
 - ⑨ GALVANIZED STEEL ANCHOR BOLTS, AS REQUIRED BY MANUFACTURER FURNISHING POLE.
 - ⑩ 6 STEEL REINFORCING STIRRUPS @ 12" O.C.
 - ⑪ THERMOWELD CONNECTOR.
 - ⑫ 3/4" x 10'-0" COPPER CLAD LIGHTNING ROD.
 - ⑬ NO. 6 BARE STRANDED COPPER CLAD GROUND WIRE. CONNECT TO GROUND ROD, CONDUITS AND GROUNDING LUG. 8' FT LONG.
 - ⑭ CONCRETE BASE SHALL BE HAND RUBBED TO REMOVE ALL IRREGULARITIES AND PROVIDE SMOOTH FINISH. PAINT AS DIRECTED BY ARCHITECT.
 - ⑮ PROVIDE BALLAST FUSES (#12 CU TO FIXTURE) FURNISH & INSTALL IN-LINE



07 DUMPSTER WALL SECTION
SCALE: NTS



08 DETAIL
NTS



09 DETAIL
NTS