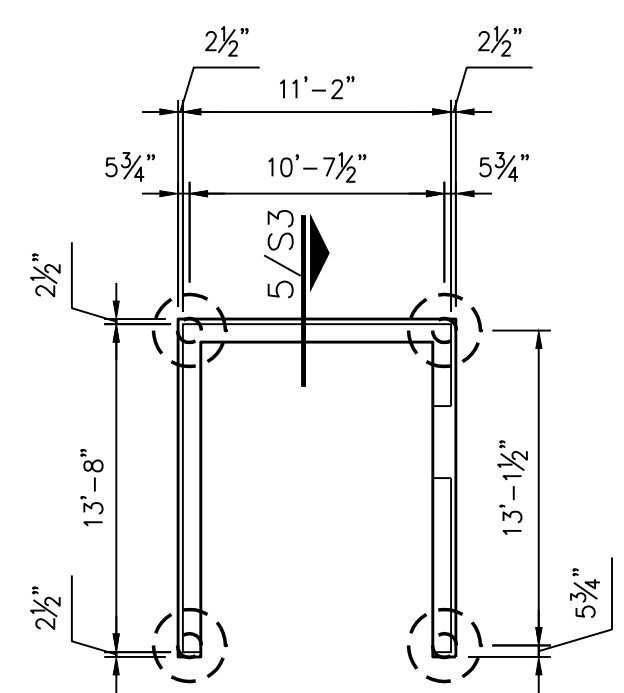


FOUNDATION NOTES

1. ALL GRADE BEAMS ARE 12" WIDE UNLESS OTHERWISE NOTED.
2. ALL DRILLED SHAFTS SHOULD BE CENTERED IN GRADE BEAMS IN BOTH DIRECTIONS UNLESS OTHERWISE NOTED.
3. PRESET SHEAR WALL HOLDDOWN ANCHORS AND HURRICANE TIE ANCHORS AS REQUIRED.
4. SAW CUT CONTROL JOINTS OF SLAB IN BOTH DIRECTIONS, JOINTS SHOULD BE MAXIMUM OF 15 FEET SPACING.
5. PLACE 6 MIL VAPOR BARRIER UNDERNEATH BUILDING PAD AND EXTEND A MINIMUM OF 3 FEET BEYOND.
6. PREPARE SUBGRADE AS SPECIFIED IN SHEET S3 AND PROJECT GEOTECHNICAL REPORT.
7. INSTALL REINFORCED CONCRETE PLINTH WHERE AS NEEDED WHERE COLUMN OR STUD WALL BASE ANCHOR BOLTS DO NOT HAVE 2 INCH SIDE CONCRETE PROTECTION. PLINTH SHOULD MATCH DEPTH OF GRADE BEAM.

LEGEND

- STUD WALL ABOVE
- INTERIOR LOAD-BEARING WALL
- 12" DRILLED SHAFT WITH 36" UNDERREAM BELL
- CONTROL JOINT /CONSTRUCTION JOINT



REVISIONS AND ISSUANCE		
NO.	DATE	DESCRIPTION
1	8/13/18	PRICING

IVY KIDS EARLY LEARNING CENTER
4434 CR 94
MANVEL, TEXAS 77578

MISSION ENGINEERING INC.
10370 RICHMOND AVE, #560
HOUSTON, TEXAS 77042
[T] 713-981-0018
[E] dzhuang@missioneng.com
TPEF Registration No. F-11771

interim review only
not for permit or
construction

YIFENG ZHUANG
TX # 87950
08/13/2018

DRAWING TITLE
FOUNDATION PLAN

DRAWN BY KN	CHECKED BY EL
DATE 08/13/2018	JOB NO. 1806251

DRAWING NO.
S1

1 FOUNDATION PLAN
SCALE: 1/8" = 1'-0"

2 DUMPSTER FOUNDATION PLAN
SCALE: 1/8" = 1'-0"