

REVISIONS AND ISSUANCE		
NO.	DATE	DESCRIPTION
1	8/13/18	PRICING

IVY KIDS EARLY LEARNING CENTER
4434 CR 94
MANVEL, TEXAS 77578

MISSION ENGINEERING INC.
10370 RICHMOND AVE, #560
HOUSTON, TEXAS 77042
[T] 713-981-0018
[E] dzhuang@missioneng.com
TPEF Registration No. F-11771

interim review only
not for permit or
construction

YIFENG ZHUANG
TX # 87950

08/13/2018

DRAWING TITLE
**FOUNDATION
DETAILS**

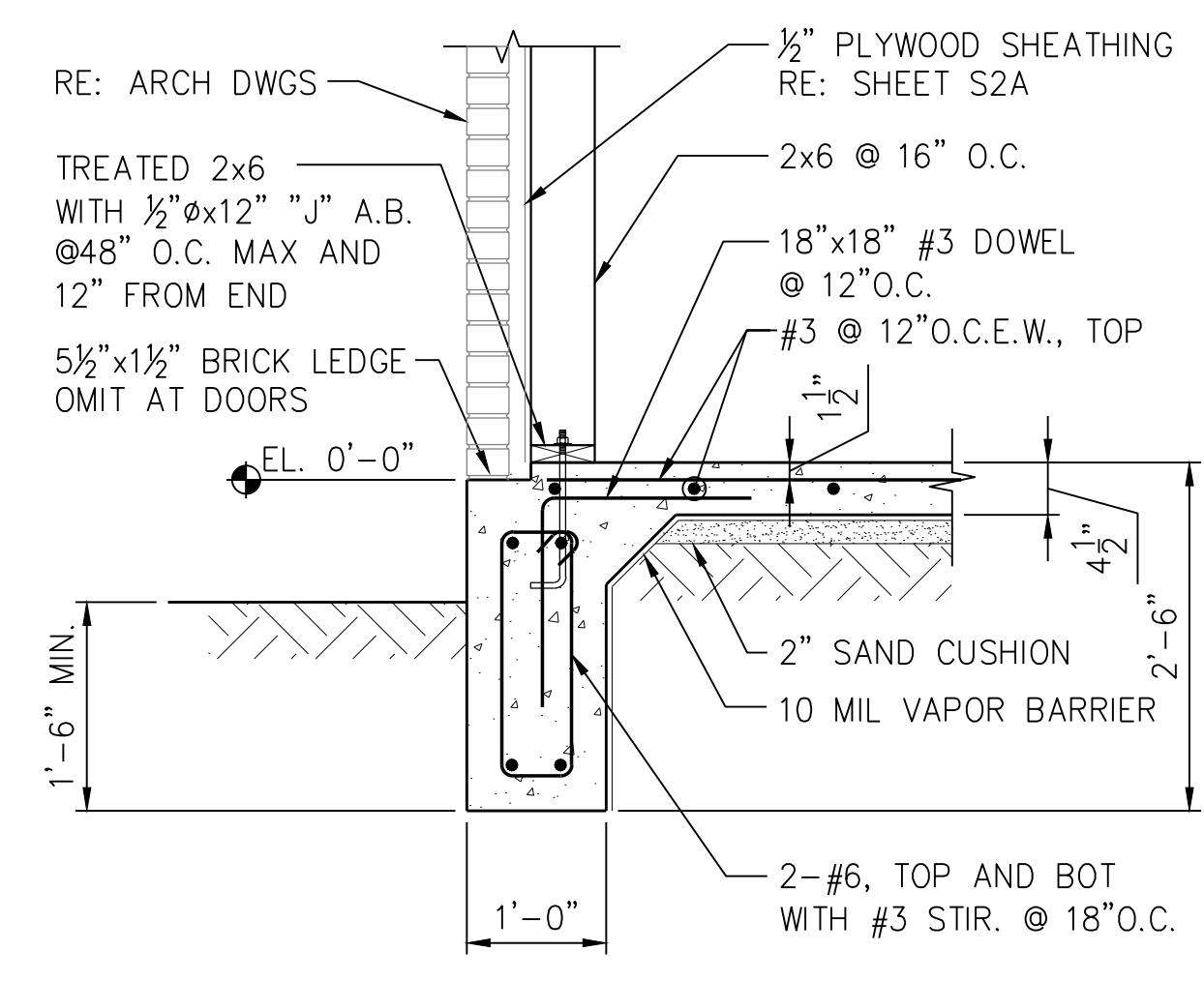
DRAWN BY
KN

CHECKED BY
EL

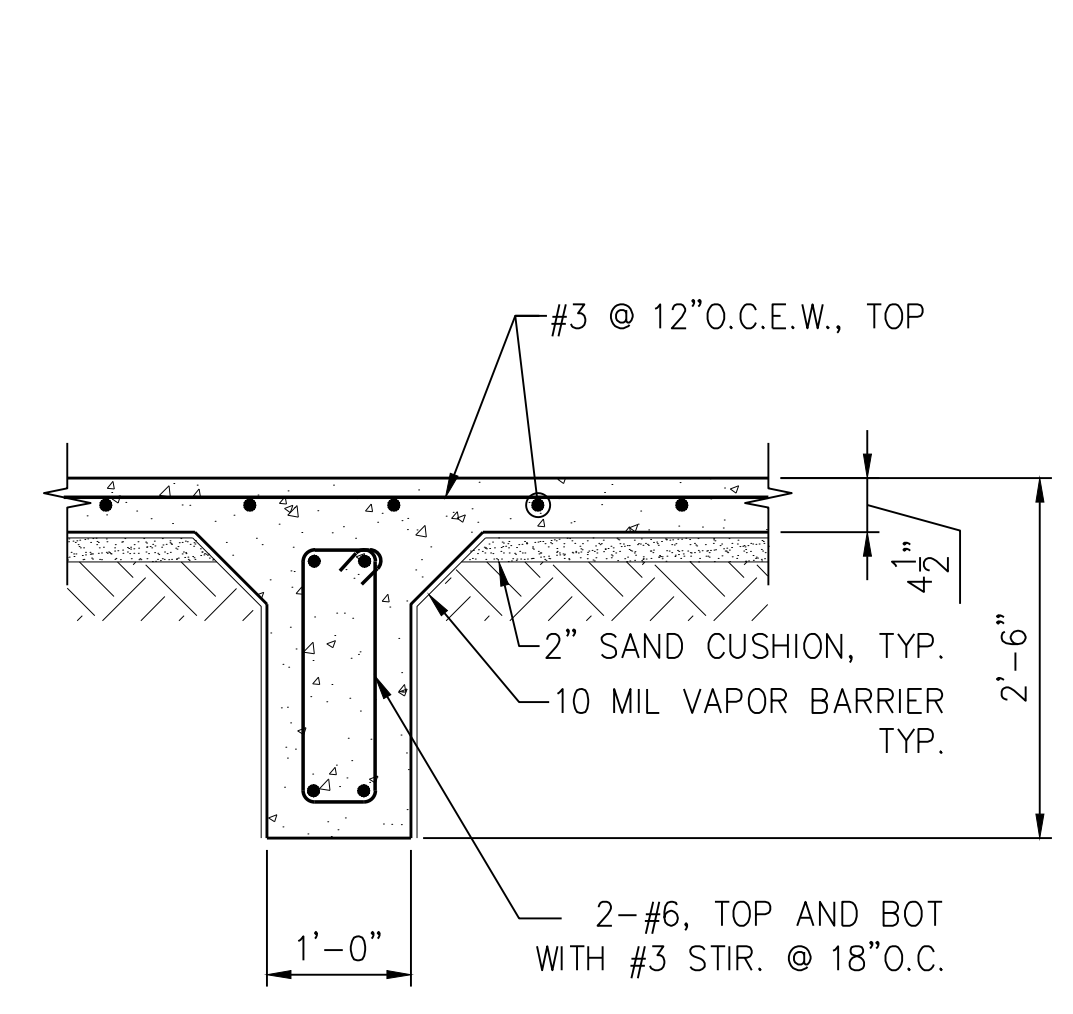
DATE
08/13/2018

JOB NO.
1806251

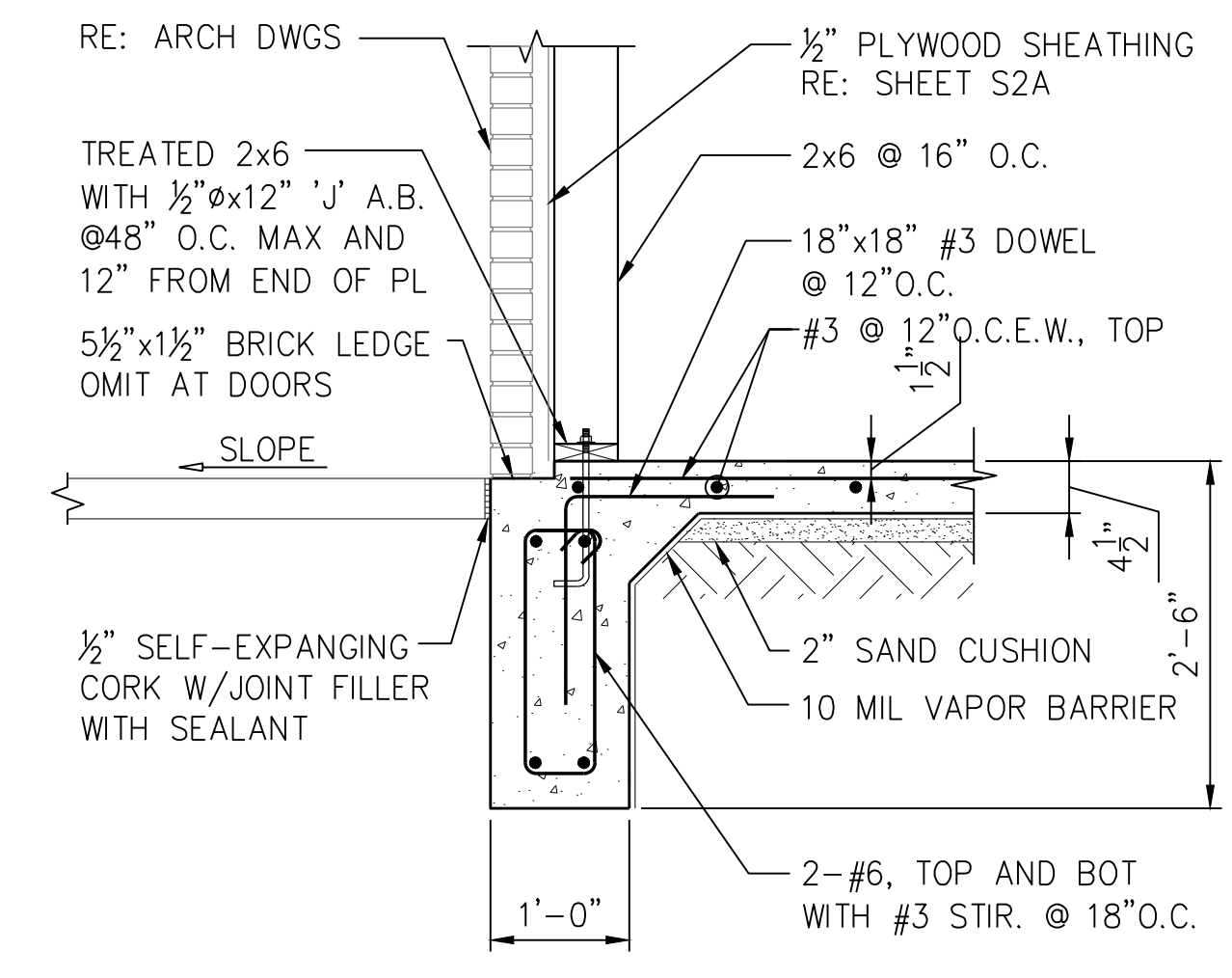
DRAWING NO.
S3



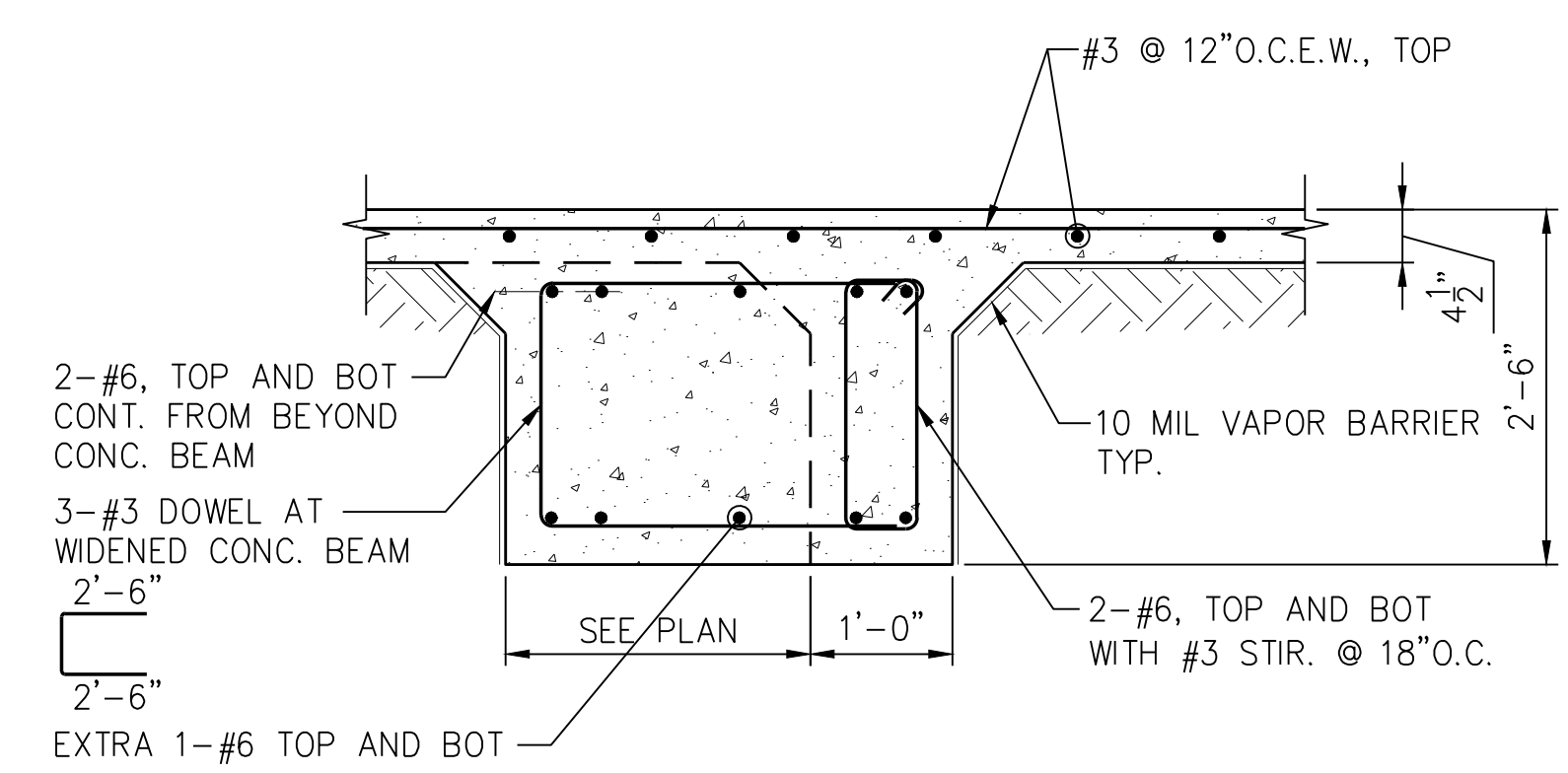
1 SECTION
SCALE: 3/4" = 1'-0"



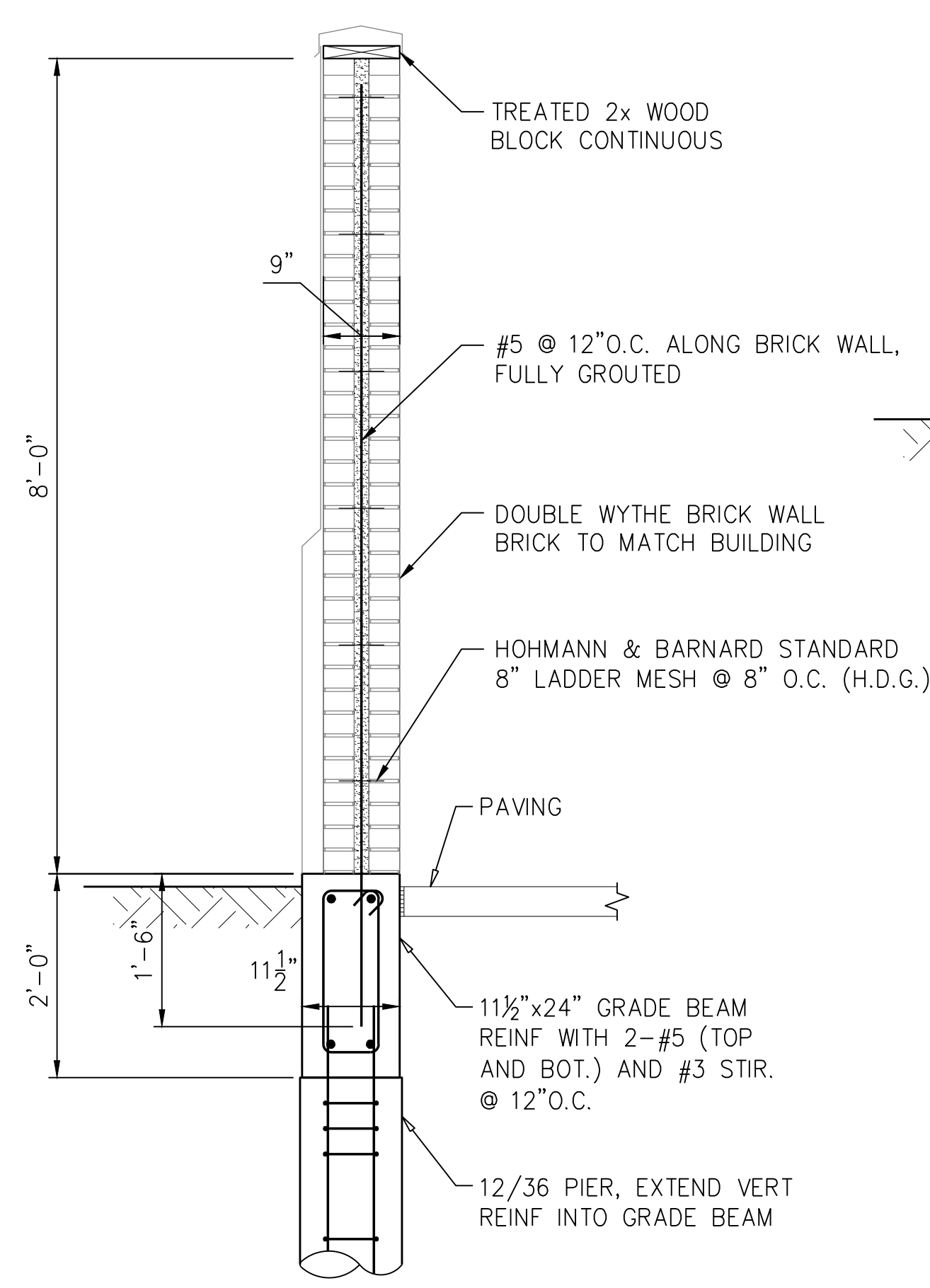
2 SECTION
SCALE: 3/4" = 1'-0"



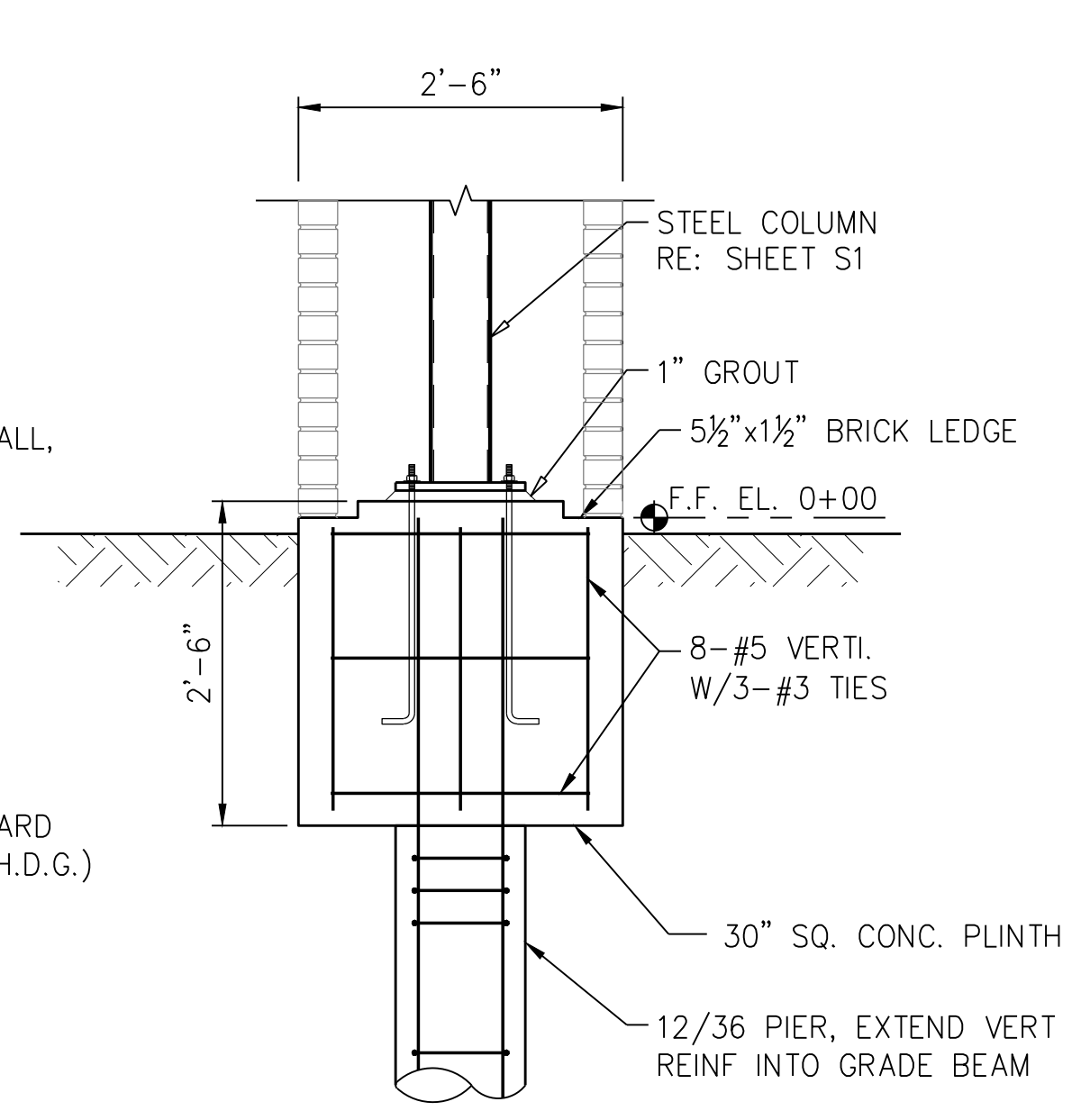
3 SECTION
SCALE: 3/4" = 1'-0"



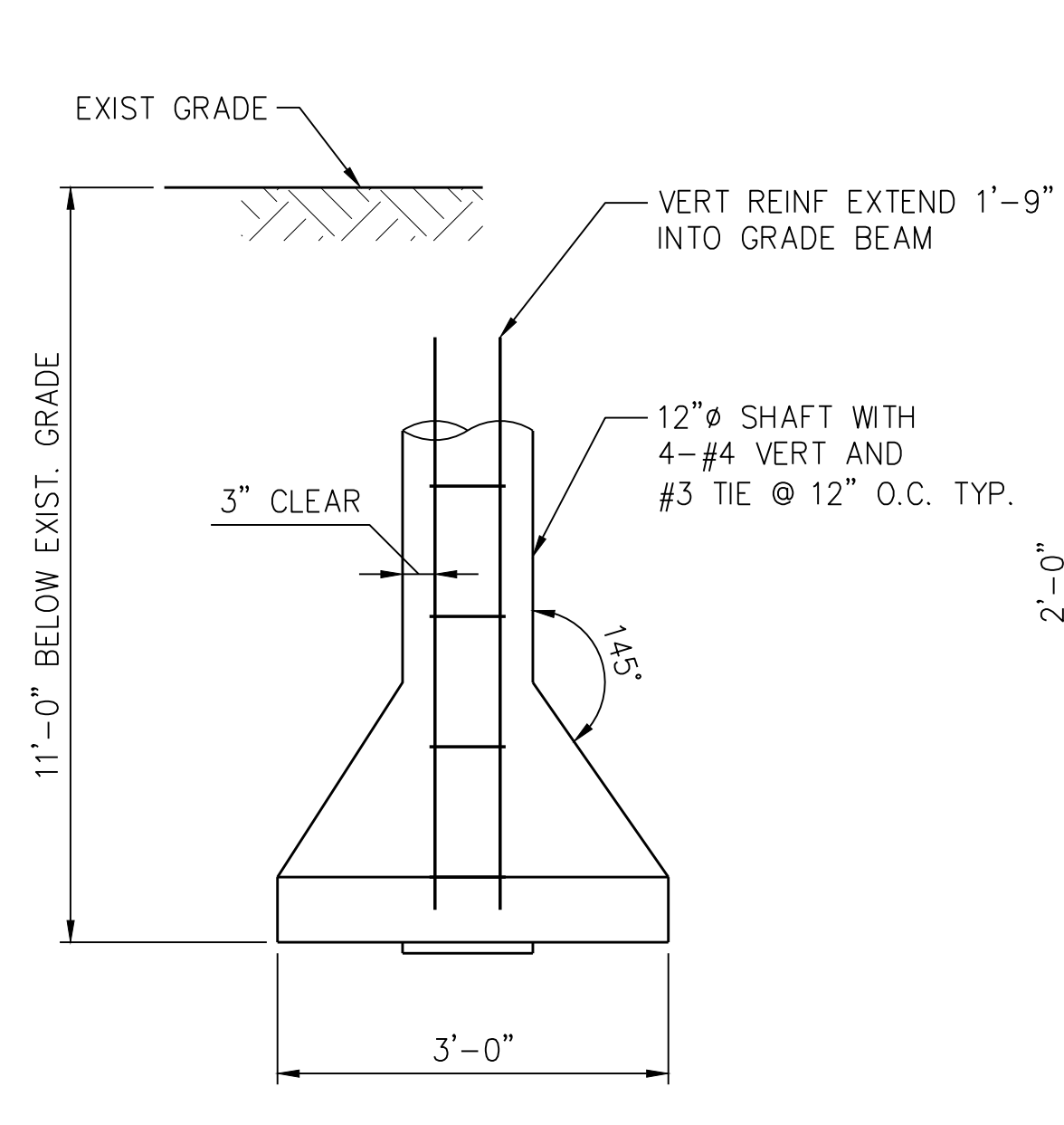
4 SECTION
SCALE: 3/4" = 1'-0"



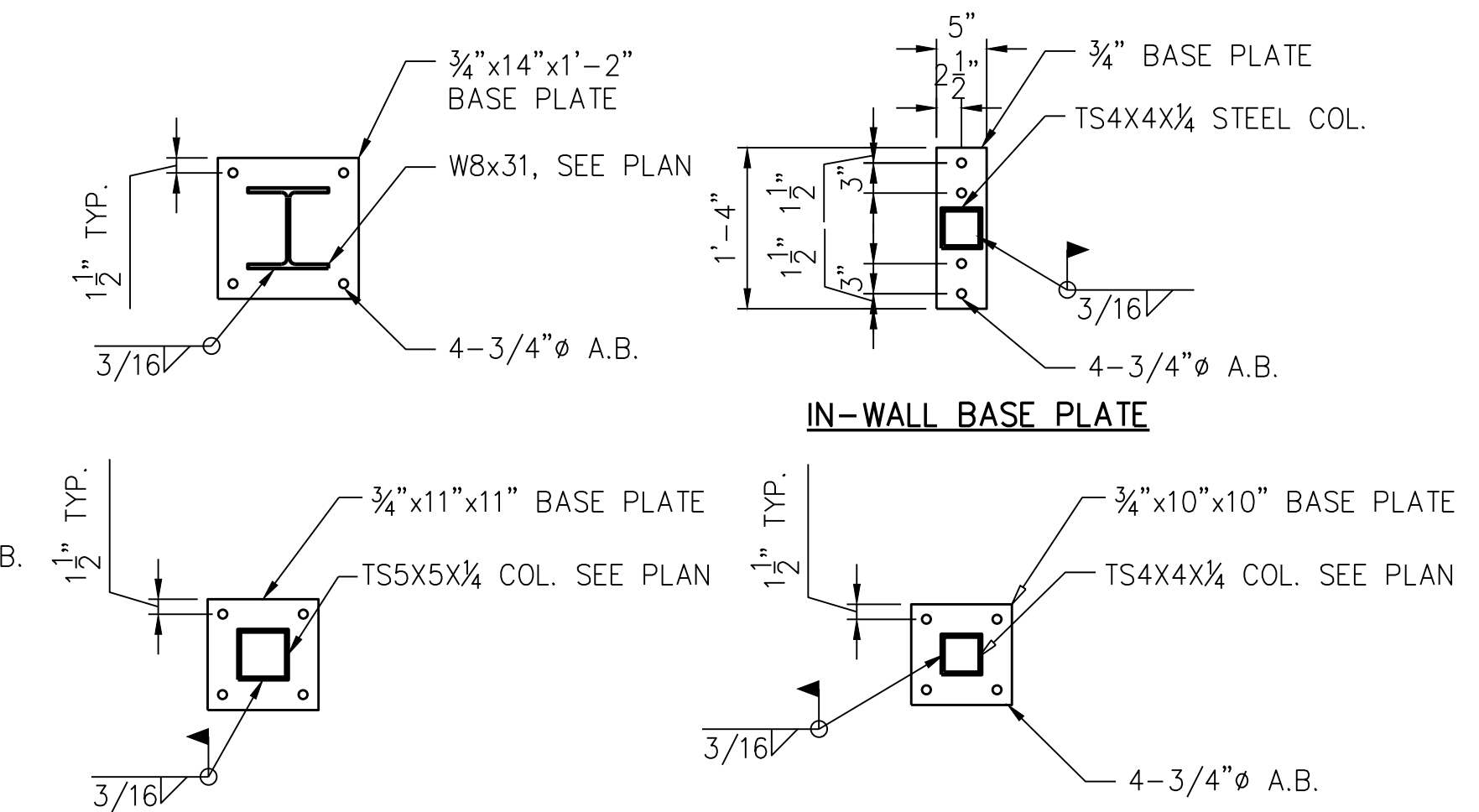
5 DUMPSTER WALL DETAIL
SCALE: 3/4" = 1'-0"



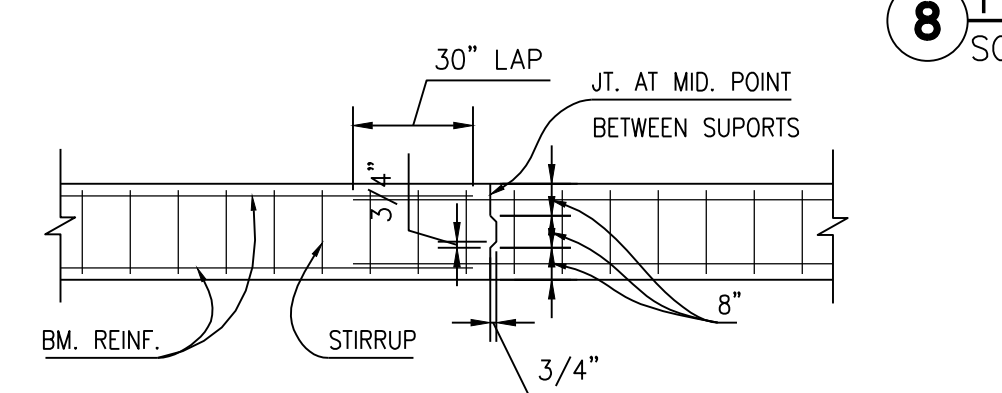
6 SECTION
SCALE: 3/4" = 1'-0"



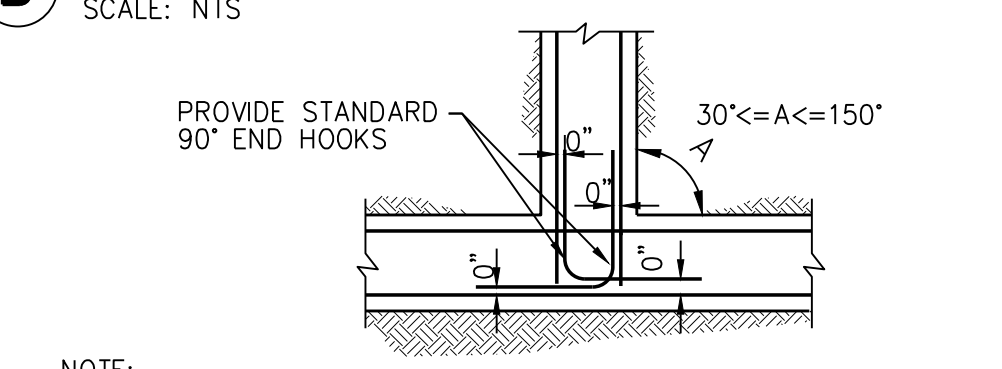
7 TYPICAL PIER DETAIL
SCALE: 3/4" = 1'-0"



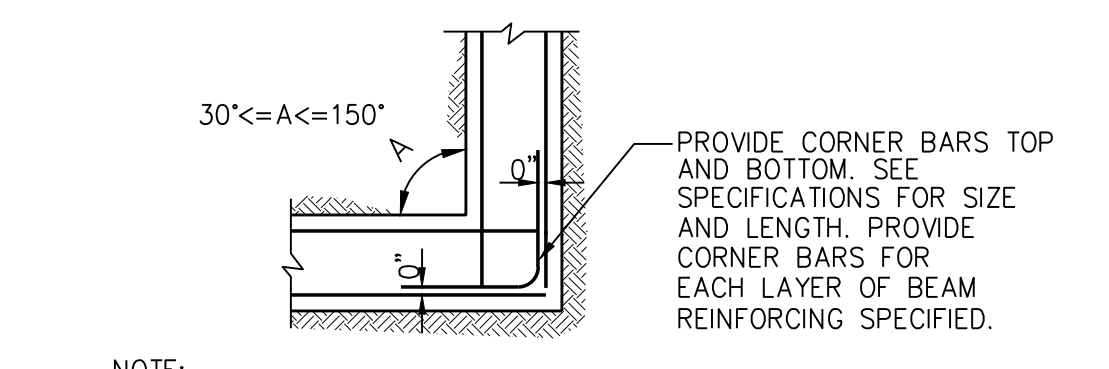
8 TYP. BASE PLATE AND A.B. DETAILS
SCALE: 3/4" = 1'-0"



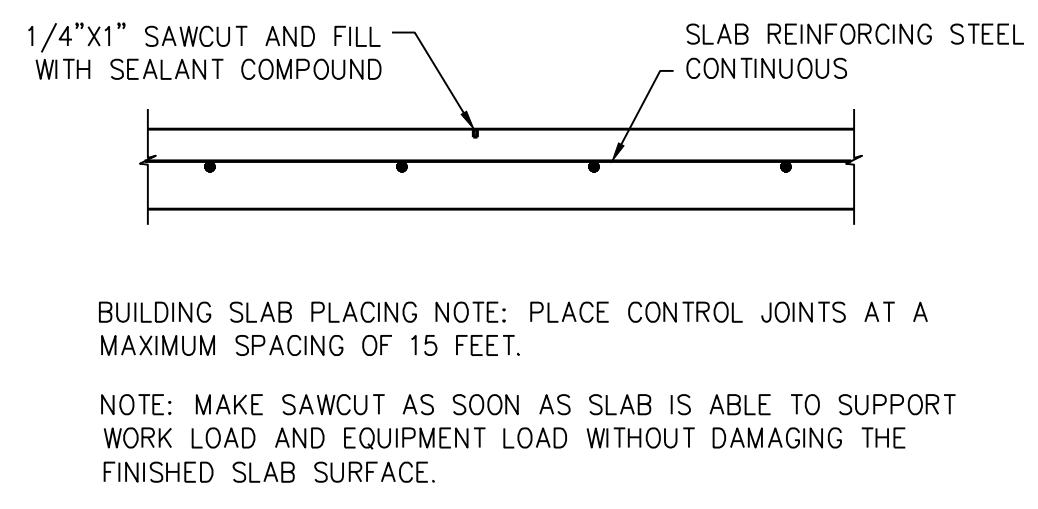
B GRADE BEAM CONSTRUCTION JOINT
SCALE: NTS



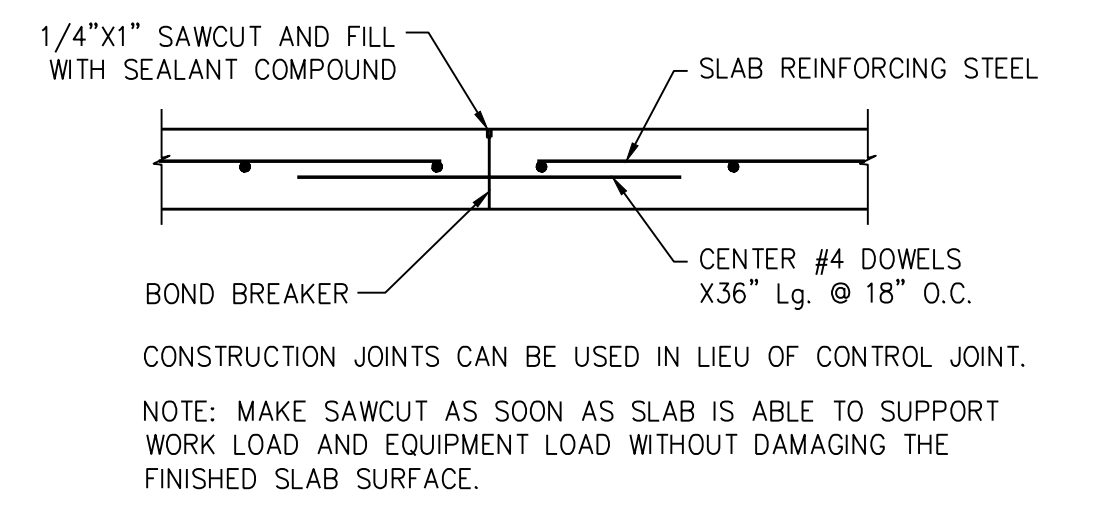
**C TYPICAL DETAIL
GRADE BEAM AND WALL "T" INTERSECTION
TOP BAR PLACEMENT DIAGRAM**
SCALE: NTS



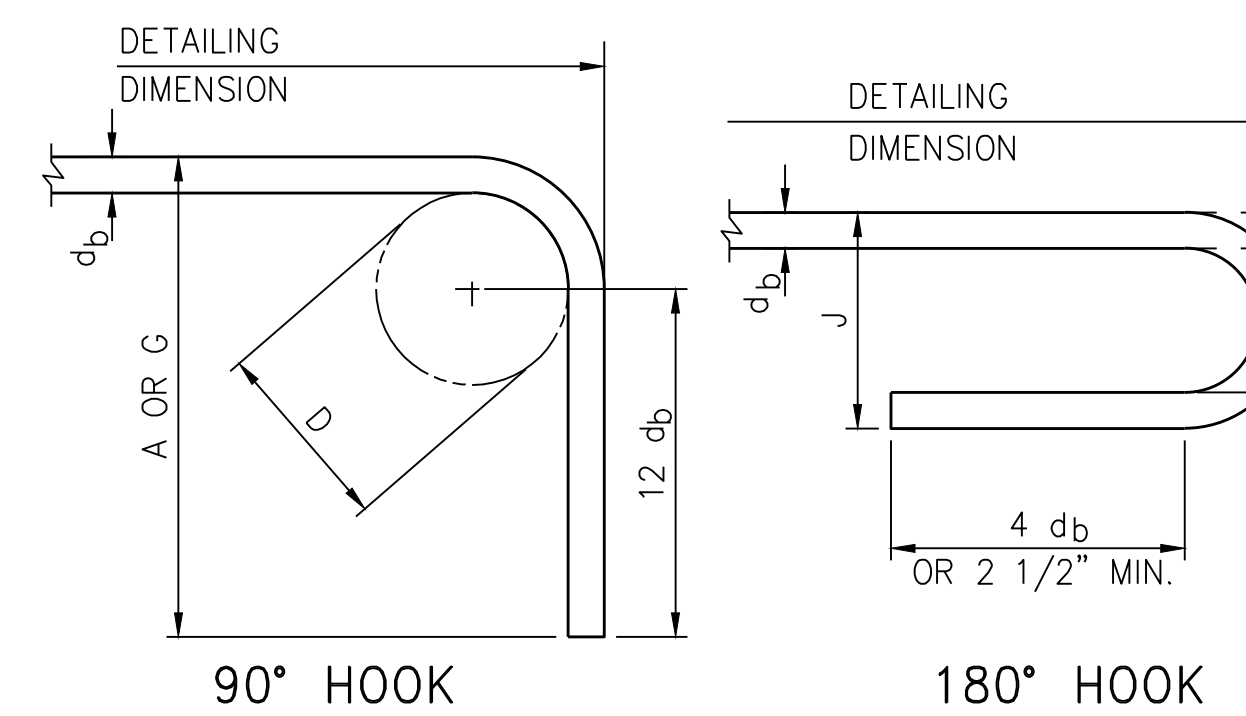
**D TYPICAL DETAIL
GRADE BEAM AND WALLS REINFORCING -
STEEL SPLICE AT CORNERS (PLAN VIEW)**
SCALE: NTS



E CONTROL JOINT DETAIL
SCALE: NTS



F CONSTRUCTION JOINT DETAIL
SCALE: NTS



RECOMMENDED END HOOKS, ALL GRADES				
BAR SIZE	FINISHED BEND DIAMETER D,(IN.)	180° HOOKS		90° HOOKS
		A OR G,(IN)	J,(IN.)	A OR G,(IN)
#3	2 1/4	5	3	6
#4	3	6	4	8
#5	3 3/4	7	5	10
#6	4 1/2	8	6	12
#7	5 1/4	10	7	14

D=INSIDE DIAMETER OF BEND
A TYPICAL END HOOK DETAILS
SCALE: NTS

NOTE: REFER TO SITE AND ARCH DRAWINGS FOR LOCATIONS.